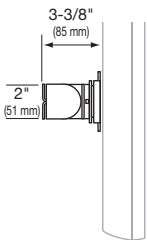


# Ergotron® 100 Series

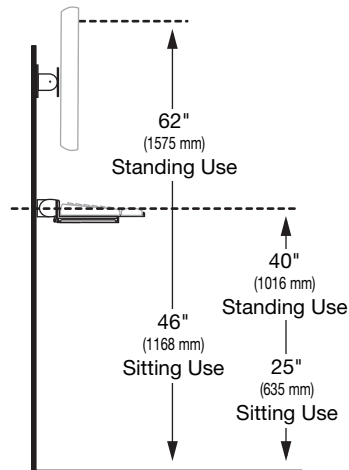
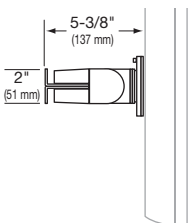
## Dimensional Illustrations

for low profile systems

### Single Pivot with P/L



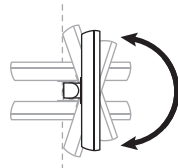
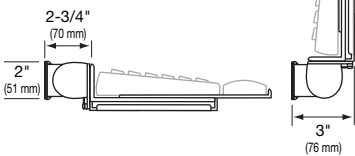
### Double Pivot with P/L



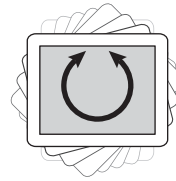
**100 Series  
(Fixed Height)**

Note: Actual range of motion depends on mounting surface and size of monitor.

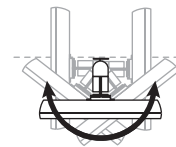
### Keyboard/Laptop Pivot



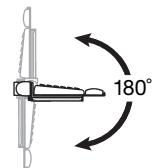
Keyboard tilts up to 180° forward/back



LCD rotates up to 360° portrait/landscape

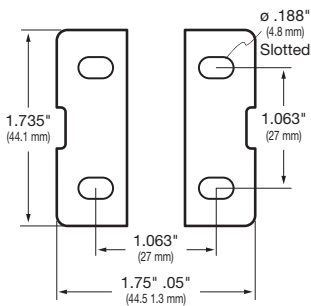


LCD pans up to 180° right/left

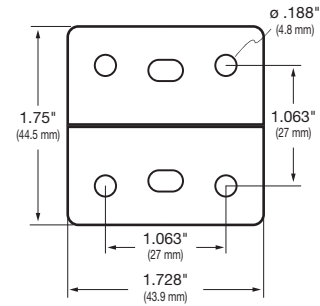


Keyboard tilts up to 180° forward/back

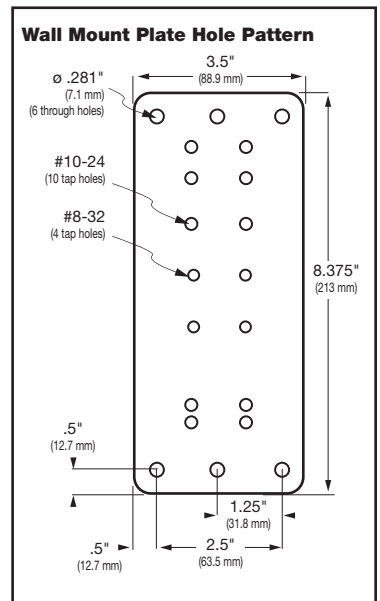
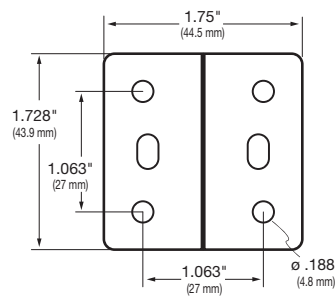
### Single Pivot w/ P/L Interface



### Double Pivot w/ P/L Interface



### Keyboard/Laptop Pivot Interface



© 2010 Ergotron, Inc. rev. 11/10/2010 DIM-026 Content is subject to change without notification

#### Americas Sales and Corporate Headquarters

St. Paul, MN USA  
(800) 888-8458  
+1-651-681-7600  
www.ergotron.com  
sales@ergotron.com

#### EMEA Sales

Amersfoort, The Netherlands  
+31 33 45 45 600  
www.ergotron.com  
info.eu@ergotron.com

#### APAC Sales

Tokyo, Japan  
www.ergotron.com  
apaccustomerservice@ergotron.com

#### Worldwide OEM Sales

www.ergotron.com  
info.oem@ergotron.com

