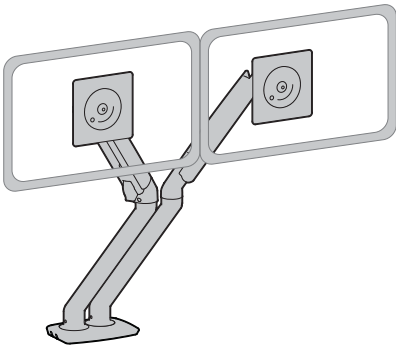


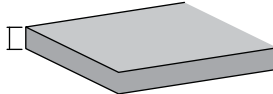
MXV Dual Monitor Arm (no clamp)



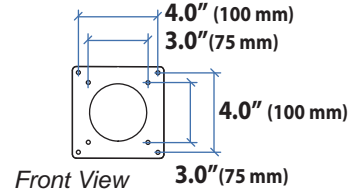
Dimensions

Desk Thickness

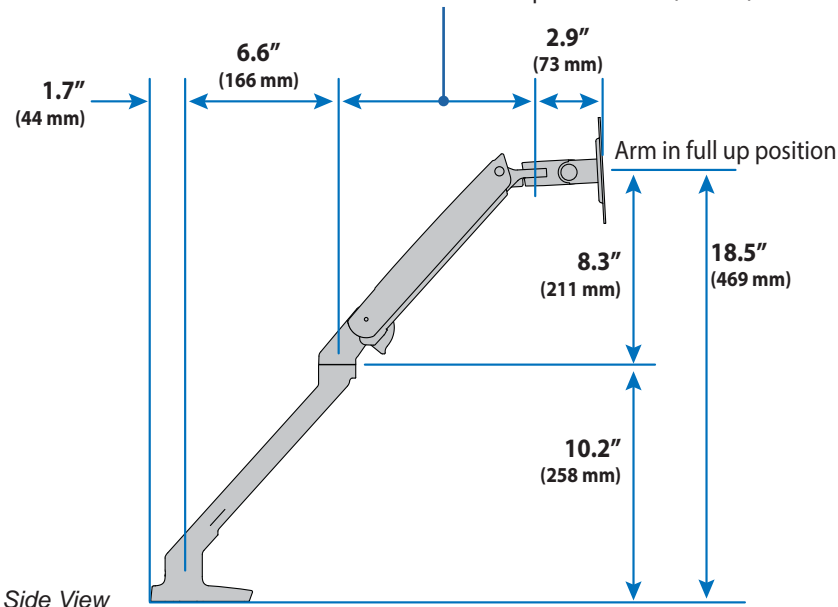
0.47"-1.25"
(12-32 mm)



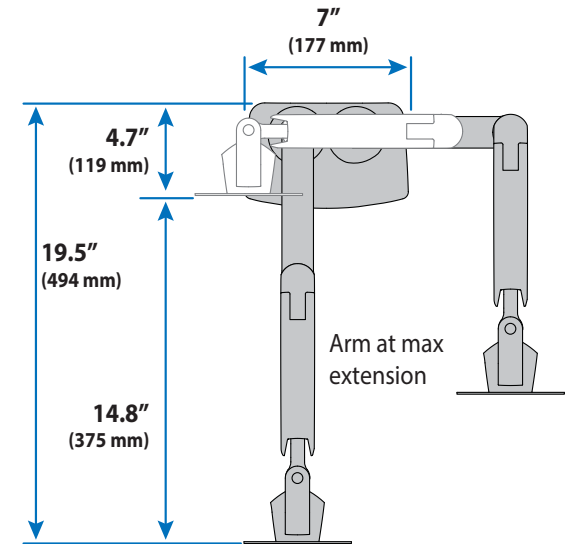
Monitor Interface Bracket



Arm in full up position: 8.4" (214 mm)
Arm at max extension: 11.2" (285 mm)
Arm in full down position: 8.8" (223 mm)



Side View



Top View

© 2017 Ergotron, Inc. rev. 07/19/17 DIM-MXVdualnoclamp Content is subject to change without notification

Americas Sales and Corporate Headquarters

St. Paul, MN USA
(800) 888-8458
+1-651-681-7600
www.ergotron.com
sales@ergotron.com

EMEA Sales

Amersfoort, The Netherlands
+31 33 45 45 600
www.ergotron.com
info.eu@ergotron.com

APAC Sales

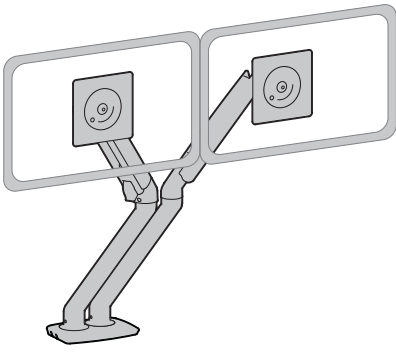
Tokyo, Japan
www.ergotron.com
apaccustomerservice@ergotron.com

Worldwide OEM Sales

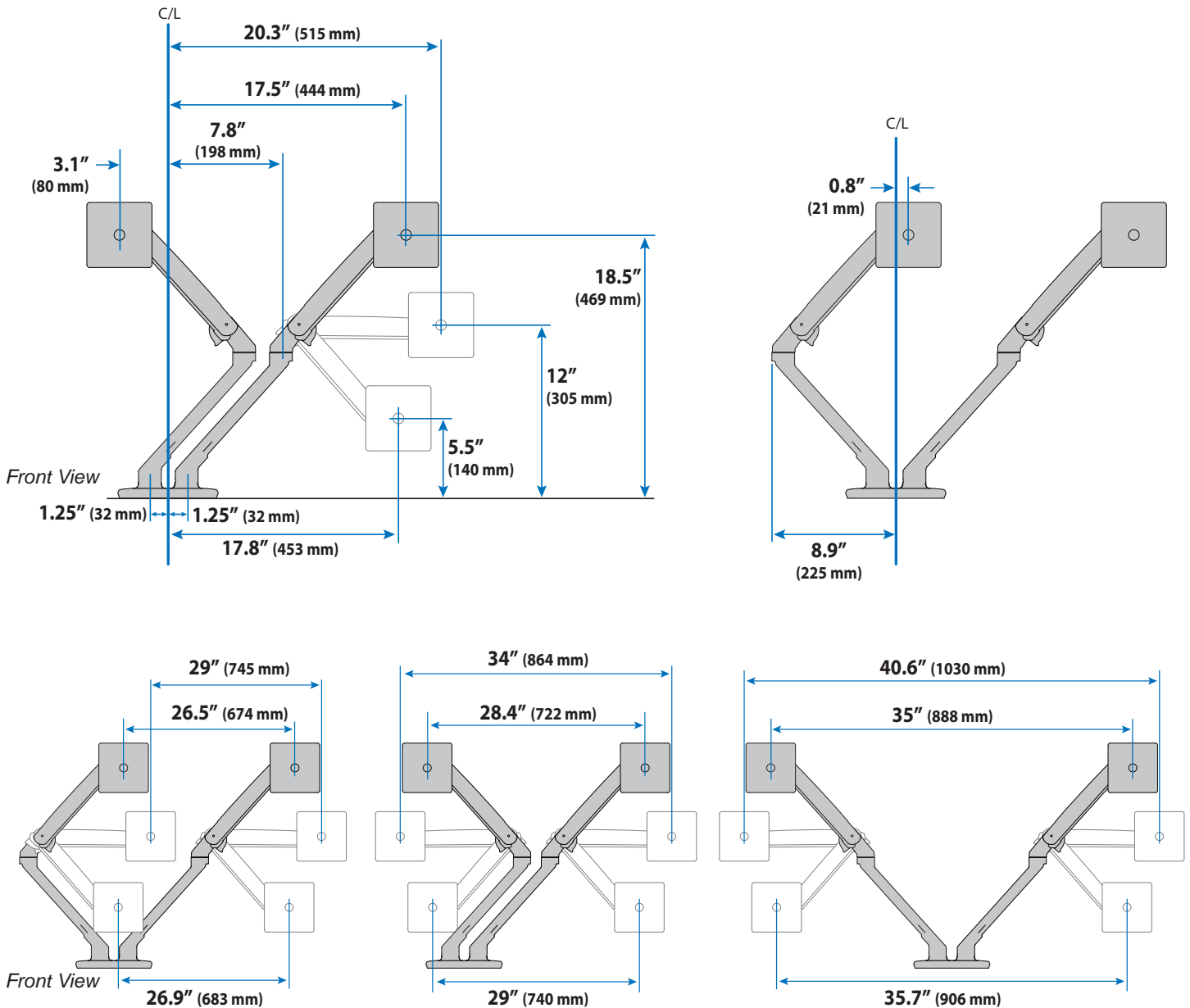
www.ergotron.com
info.oem@ergotron.com

ERGOTRON®

MXV Dual Monitor Arm (no clamp)



Dimensions



© 2017 Ergotron, Inc. rev. 07/19/17 DIM-MXVdualnoclamp Content is subject to change without notification

Americas Sales and Corporate Headquarters

St. Paul, MN USA
(800) 888-8458
+1-651-681-7600
www.ergotron.com
sales@ergotron.com

EMEA Sales

Amersfoort, The Netherlands
+31 33 45 45 600
www.ergotron.com
info.eu@ergotron.com

APAC Sales

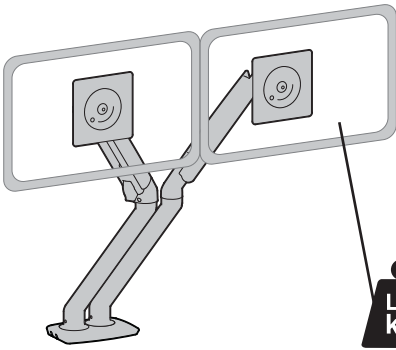
Tokyo, Japan
www.ergotron.com
apaccustomerservice@ergotron.com

Worldwide OEM Sales

www.ergotron.com
info.oem@ergotron.com



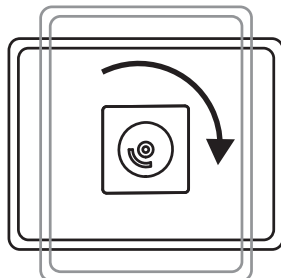
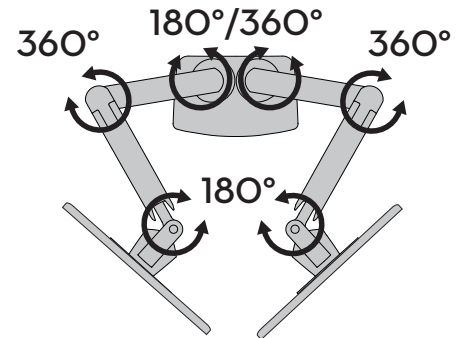
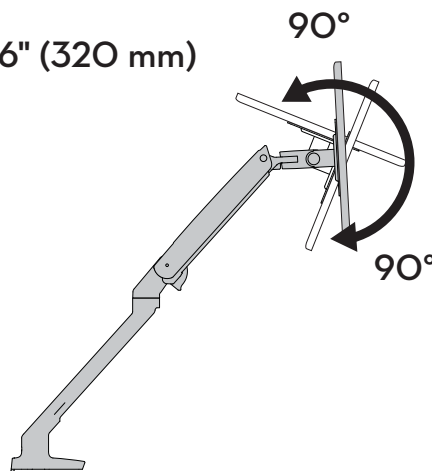
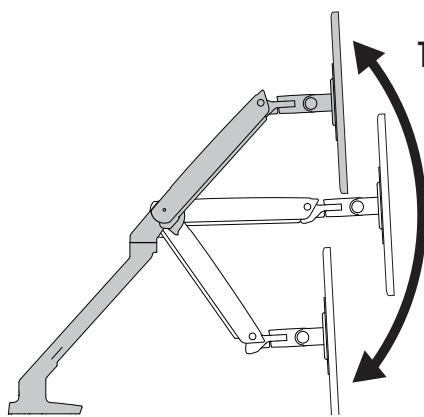
MXV Dual Monitor Arm (no clamp)



Weight Capacity per Monitor:
≤ 20 lbs. (9.1 kg)

Monitor depth greater than 2.5" (64 mm) may diminish capacity.
 Call Ergotron for more information.

Range of Motion



Front View

Portrait/Landscape Rotation.

Americas Sales and Corporate Headquarters

St. Paul, MN USA
 (800) 888-8458
 +1-651-681-7600
 www.ergotron.com
 sales@ergotron.com

EMEA Sales

Amersfoort, The Netherlands
 +31 33 45 45 600
 www.ergotron.com
 info.eu@ergotron.com

APAC Sales

Tokyo, Japan
 www.ergotron.com
 apaccustomerservice@ergotron.com

Worldwide OEM Sales

www.ergotron.com
 info.oem@ergotron.com