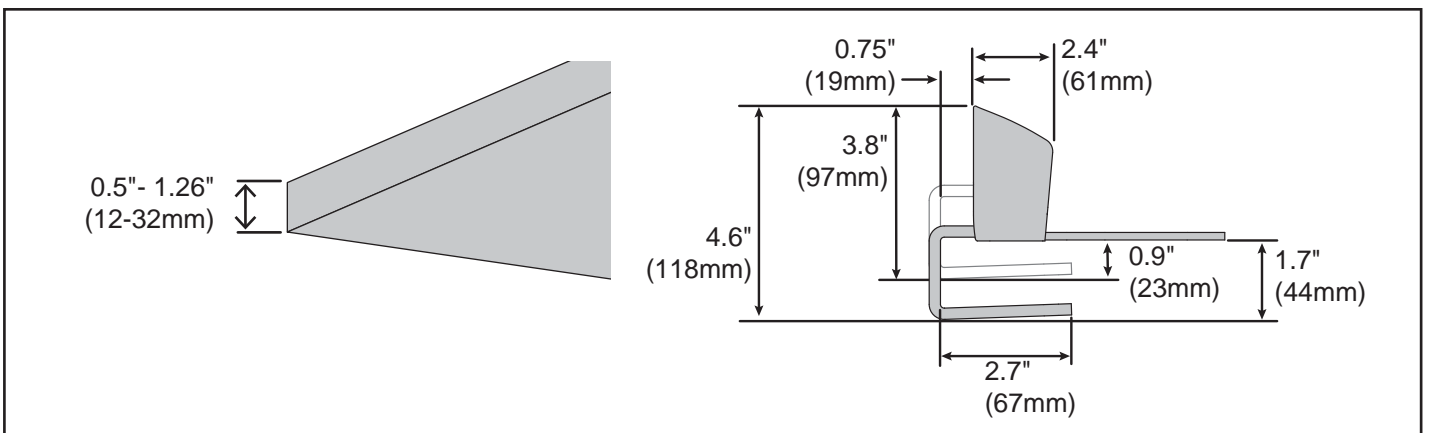
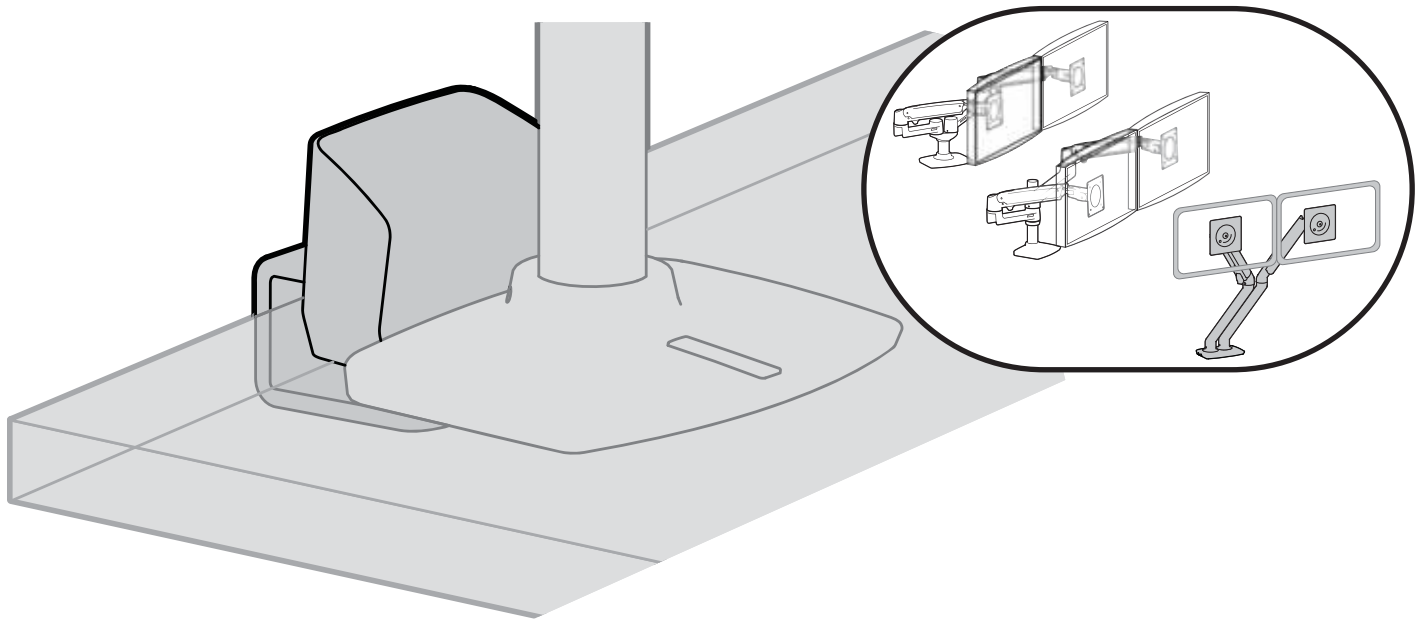
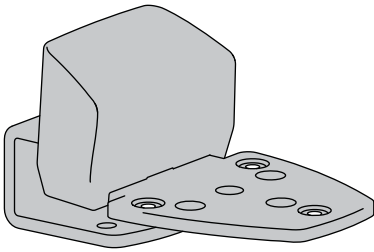


C-Clamp (top mount)

for LX Dual Side-by-Side Arm

LX Dual Stacking Arm

MXV Dual Monitor Arm



© 2017 Ergotron, Inc. rev. 05/04/2017 DIM-TopclampLXMXV2 Content is subject to change without notification

Americas Sales and Corporate Headquarters

St. Paul, MN USA
 (800) 888-8458
 +1-651-681-7600
 www.ergotron.com
 sales@ergotron.com

EMEA Sales

Amersfoort, The Netherlands
 +31 33 45 45 600
 www.ergotron.com
 info.eu@ergotron.com

APAC Sales

Tokyo, Japan
 www.ergotron.com
 apaccustomerservice@ergotron.com

Worldwide OEM Sales

www.ergotron.com
 info.oem@ergotron.com

