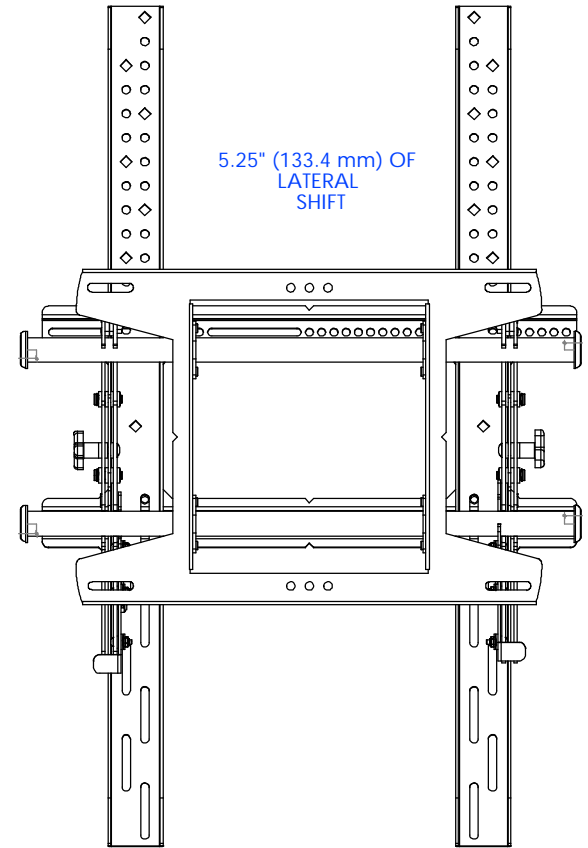
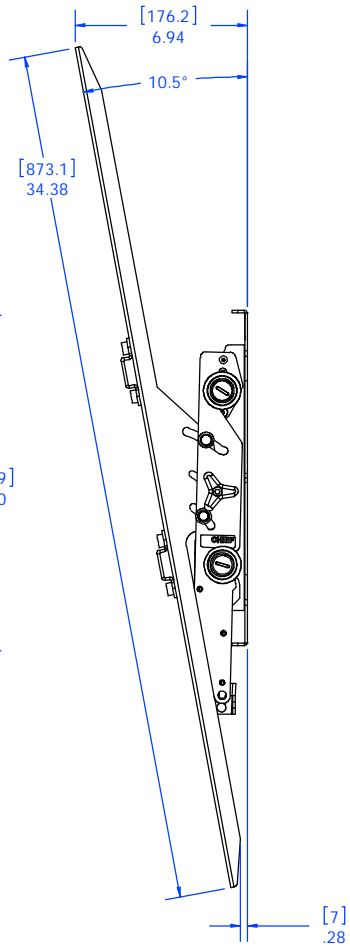
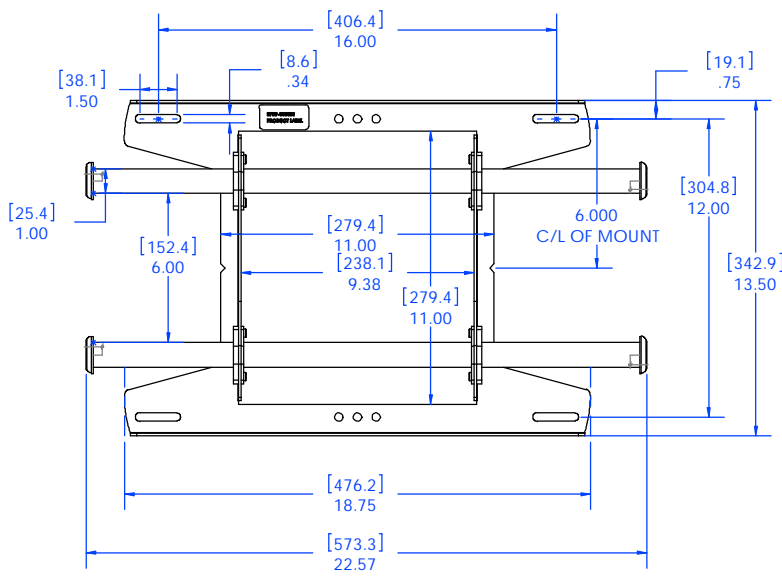


NOT RECOMMENDED FOR SINGLE STUD MOUNTING

MAX SCREEN MOUNTING PATTERN
 20.7" (525.8 mm) HIGH X 31.5" (800.1 mm) WIDTH
 MIN SCREEN MOUNTING PATTERN WIDTH
 7.874" (200 mm)
 MAX SCREEN SCREW SIZE 8 mm

2.562" (65 mm)
 WHEN FLAT TO WALL



CHIEF MANUFACTURING INC.
 MOUNT ORDER NUMBER IS LTAPU
 PHONE: 1-800-582-6480

THE INFORMATION AND DESIGNS CONTAINED IN THIS DRAWING ARE CONFIDENTIAL AND THE PROPRIETARY PROPERTY OF CHIEF MFG., INC. NEITHER THIS DESIGN NOR ANY INFORMATION CONTAINED IN THIS DRAWING MAY BE REPRODUCED OR DISCLOSED TO OTHERS WITHOUT THE EXPRESS WRITTEN CONSENT OF CHIEF MFG., INC.

CHIEF MANUFACTURING, INC.
 8401 EAGLE CREEK PKWY STE. 700, SAUSAGE, MN 55378
 1.800.582.6480 • FAX 1.877.894.6918

TITLE
 LTAPU