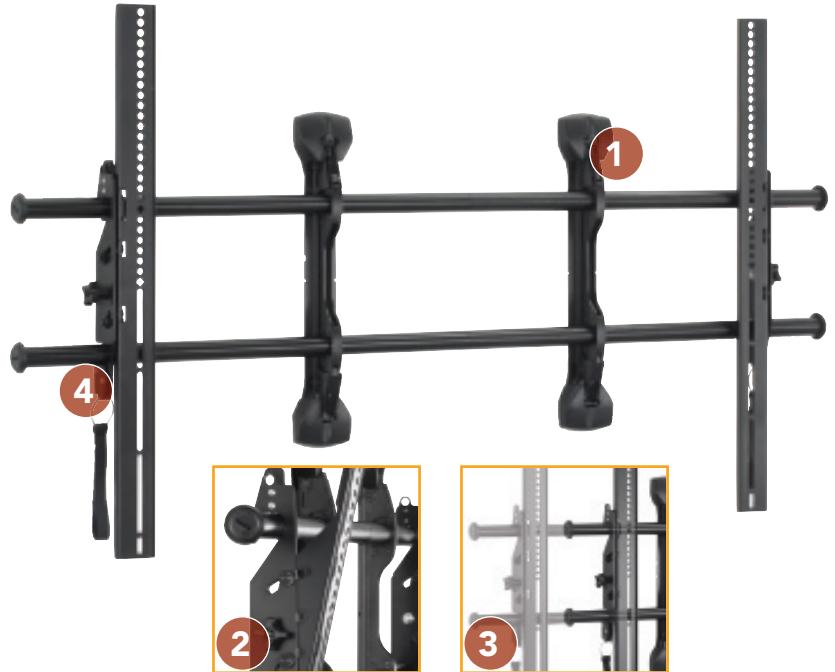




FEATURES

- 1 CONTROLZONE™ LEVELING**
Industry-first feature allows post-installation fine tuning of height and leveling, up to 0.5" (13 mm) adjustment up or down.
- 2 CENTRIS® LOW-PROFILE TILT**
Centris fingertip tilt technology uses the center of gravity to balance the screen while maintaining a low profile under 2" deep! Screen angle stays set in place until readjusted.
- 3 CENTERLESS™ SHIFT**
Provides up to 23.5" of post-installation lateral shift – 11.75" left/right of uprights – for limitless centering capabilities.
- 4 CLICKCONNECT®**
Hear an audible click when the screen safely engages with the mount. A built-in cable stand provides easy access under the screen.



SPECIFICATIONS

Tilt*	-12°
Depth from Wall	1.98" (50 mm)
Max Lateral Shift	23.5" (597 mm) max
Dimensions (HxWxD)	16.5" x 48.44" x 1.98" (42 x 123 x 5 cm)
Max Mounting Pattern	25.98" (660 mm), height 49.21" (1250 mm), width
Color	Black
Weight Capacity	250 lbs (113 kg)

* Varies with screen height.

WHAT YOU NEED TO KNOW

ORDERING OPTIONS

Available in custom or universal.

MULTIPLE INSTALLATION OPTIONS

Can be installed on 24" on-centers up to 48". For 16" on-centers, span 3 studs.

CUSTOMIZABLE ACCESSORY SYSTEM

A full line of supporting accessories can be integrated with the mount, extending the same adjustment benefits to the entire configuration.

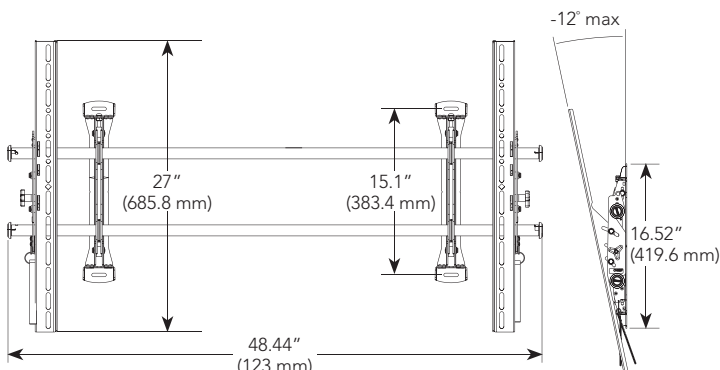
OTHER PRODUCT OPTION



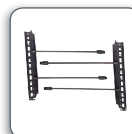
PPH2000

Heavy-Duty, Tilt-Adjustable Wall Mount
– For flat panels up to 250 lbs (113.4 kg)

TECHNICAL DRAWINGS



RECOMMENDED ACCESSORIES



FLR100 ■ Left/Right Speaker Adapter



FVS250 ■ 12" (305 mm) Video Conferencing Shelf - above



FCS100 ■ Single Component Shelf - below

For a complete list of FUSION mount accessories see page 87.