

---

# INSTALLATION INSTRUCTIONS

---

## MEDIUM FLAT PANEL DISPLAY STATIC MOUNT MSR Series

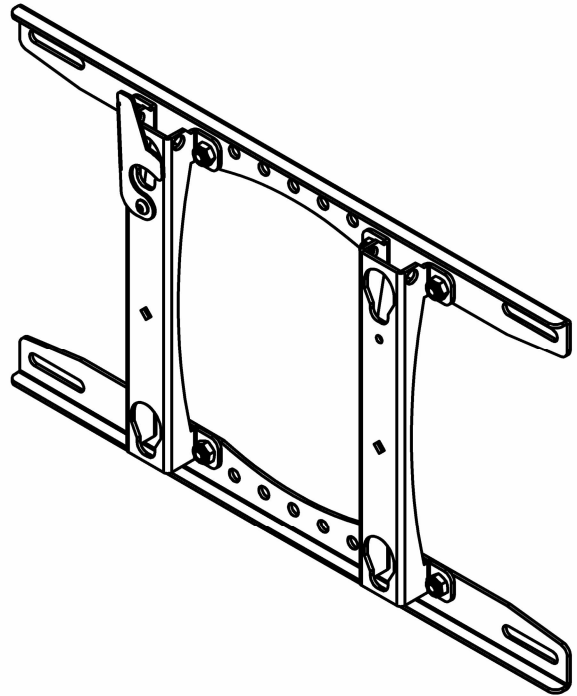
The MSR Series static mount accommodates medium flat panel displays weighing up to 125 lbs (57 kgs).

The teardrop holes in the mount allow for quick connect/disconnect of the display, thus simplifying installation and maintenance processes.

The top and bottom mounting brackets are adaptable to single wood stud mounting or dual wood studs that are 16" on center.

After installing the display on the mount, the screen can be locked in place using the convenient locking flag. A padlock can be used on the latching flag for added security.

The mount is concealed behind the display, making it a low profile wall mount.



MSR Series

**! IMPORTANT:** If the installation of this product requires OSHPD seismic approval, refer to OSHPD pre-approval documents and drawings before beginning installation. OSHPD documents and drawings are available at [www.chiefmfg.com](http://www.chiefmfg.com), and located on the product information page for the mount.

### BEFORE YOU BEGIN

---

- **⚠ CAUTION:** To prevent damage to your monitor and MSR, which could affect or void the Factory warranty, thoroughly study all instructions and illustrations before you begin to install the mount. Pay particular attention to the Warnings and Cautions in this document.
- The mount is designed to be installed using wall studs or supporting framework. The fasteners used to anchor the mount must be capable of supporting five times the total weight of the equipment.
- The maximum weight to be installed on the MSR Series static wall mount is 125 lbs (57 kg).
- If you have any questions about this installation, contact Chief Manufacturing at 1-800-582-6480 or 952-582-6480.



**CHIEF MANUFACTURING INC.**  
1-800-582-6480 952-894-6280 FAX 952-894-6918  
8401 EAGLE CREEK PARKWAY, STE. 700  
SAVAGE, MINNESOTA 55378 USA

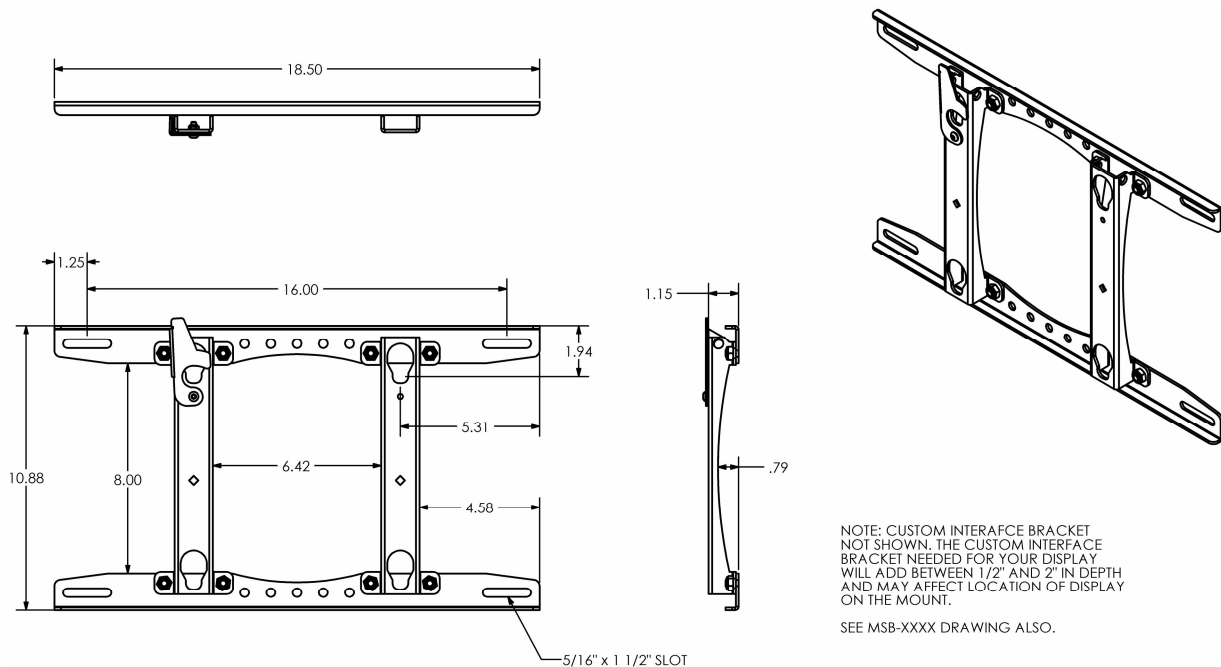
8840-000079 RevF  
©2007 Chief Manufacturing  
[www.chiefmfg.com](http://www.chiefmfg.com)  
10/07

---

# ! IMPORTANT WARNINGS and CAUTIONS!

<b>WARNING</b>	A <b>WARNING</b> alerts you to the possibility of serious injury or death if you do not follow the instructions.
<b>CAUTION</b>	A <b>CAUTION</b> alerts you to the possibility of damage or destruction of equipment if you do not follow the corresponding instructions.
• <b>WARNING</b>	<b>Improper installation can result in serious personal injury! Make sure that the structural members can support a redundant weight factor <i>five times</i> the total weight of the equipment. If not, reinforce the structure before installing the mount.</b>
• <b>WARNING</b>	<b>Be aware of the potential for personal injury or damage to the equipment if it is not installed correctly. Consider the weight of the mount without the display.</b>
• <b>WARNING</b>	<b>The installer is responsible for verifying that the display to which the wall mount is fastened will safely support the combined load of all attached components or other equipment.</b>
• <b>WARNING</b>	<b>The combined weight of the display placed on the wall mount must not exceed 125 lbs (57 kg), the maximum support weight of the mount.</b>
• <b>WARNING</b>	<b>Watch for pinch points. Do not put your fingers between movable parts.</b>
• <b>WARNING</b>	<b>Make sure the flag securing the display is completely lowered at all times <i>except</i> when removing or installing the display. The flag must be all the way down when installing/removing cables.</b>
• <b>CAUTION</b>	Check the unit for shipping damage before you begin the installation.

## DIMENSIONAL DRAWING



# CONTENTS

DIMENSIONAL DRAWING ..... 2  
 TOOLS REQUIRED FOR INSTALLATION..... 3  
 PARTS LIST ..... 3  
 MSR INSTALLATION ..... 4  
     Select And Prepare Mounting Location..... 4  
     Mount the MSR ..... 5  
 ATTACH MSB TO THE DISPLAY ..... 6  
 INSTALL THE DISPLAY ..... 6  
 REMOVE THE DISPLAY..... 6

# TOOLS REQUIRED FOR INSTALLATION

- Drill and drill bit set
- Wrench set

**NOTE:** Other tools may be required depending on your method of installation.

# PARTS LIST

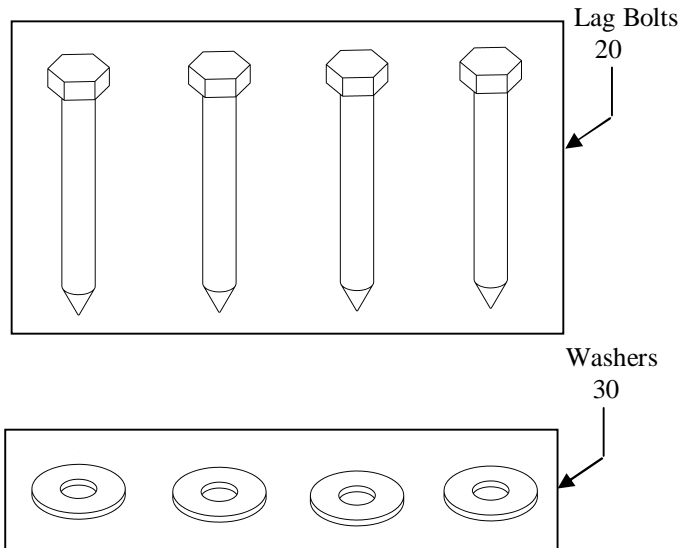
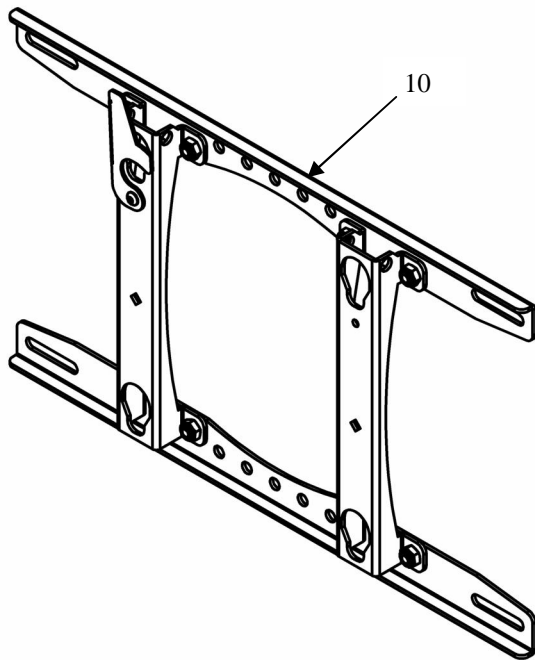
Prior to assembly, unpack the carton completely. Verify contents listed in Table 1 and Figure 1.

Read installation instructions completely. If you are missing any of the listed parts, contact Customer Service at: 1-800/582-6480.

**Table 1. Parts List**

REF	DESCRIPTION	QTY
10	MSR-Series Static Mount	1
20	*BOLT, Lag, 5/16" x 2 1/2"	2 or 4
30	*WASHER, 5/16"	2 or 4
	**Extender, Latching Flag (not shown)	1
	**Screw, Phillips Machine, 10-24 x 1/2" (not shown)	1
	**Nut, Lock, 10-24 (not shown)	1
** Included in Latching Flag Extension Kit		

\* Quantity required is dependent upon mounting configuration chosen during installation. See "MSR Installation" section of this document to determine appropriate quantities.



**Figure 1. Parts**

# MSR INSTALLATION

## Select And Prepare Mounting Location

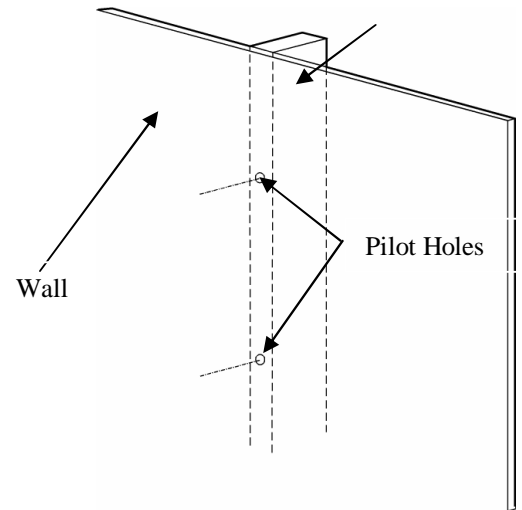
**⚠ WARNING:** Improper installation can result in serious personal injury or damage to equipment! Make sure that the structural members can support a redundant weight factor *five times* the total weight of the equipment. If not, reinforce the structure before installing the mount. It is the responsibility of the installer to verify that the framework will safely support the combined load of the MSR and all attached components and equipment.

1. Use a stud sensor to locate existing stud(s), and identify available framework.
2. Identify appropriate mounting hole pattern. See figures 2 though 4 at right to determine appropriate mounting hole pattern for the framework identified.

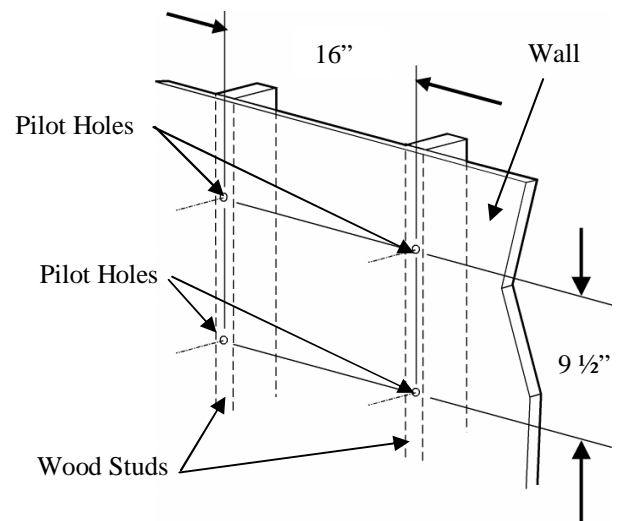
**NOTE:** The MSR can be mounted using either a two, or four hole mounting pattern depending upon available framework. (see Figures 2 through 4)

Once suitable framework and appropriate mounting pattern have been identified:

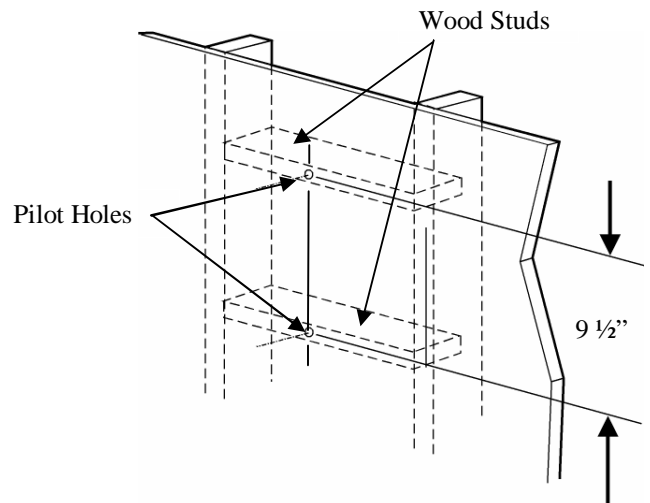
3. Locate and mark locations of all mounting holes making certain that marks are on center of all studs. (see Figures 2 though 4)
4. Drill pilot holes using a 7/32" drill bit.
5. Proceed to "Mounting the MSR".



**Figure 2. Single Stud Pilot Hole location**



**Figure 3. Vertical Dual Stud / Masonry Pilot Hole Location**



**Figure 4. Horizontal Dual Stud Pilot Hole Location**

## MSR INSTALLATION (Cont'd)

2" max. "Side to Side"  
Adjustment

6" max. "Side to Side"  
Adjustment

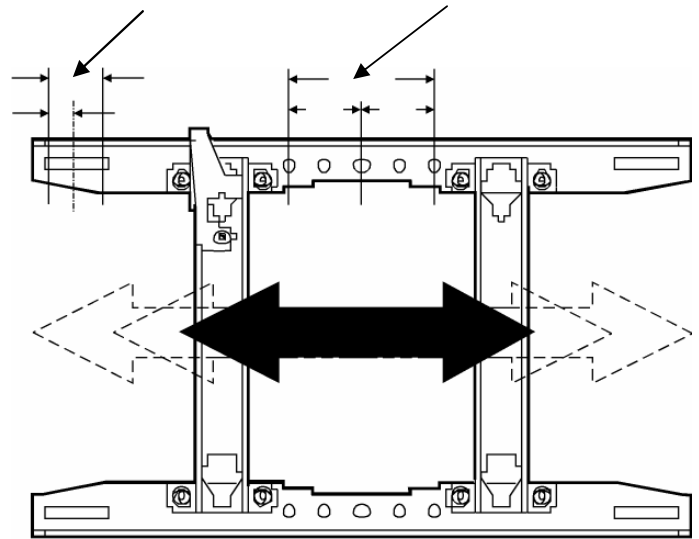
### Mount the MSR

To mount the MSR:

1. Place MSR against wall and align MSR upper mounting holes with upper pilot hole(s) in wall. (see Figure 5).
2. Install 5/16" x 2-1/2" lag bolts (20), and 5/16" washers (30) through MSR upper mounting holes and into upper pilot holes. DO NOT fully tighten upper lag bolts at this time.
3. Verify lower MSR mounting hole(s) align with lower pilot hole(s), and that MSR is properly positioned.
4. Install 5/16" x 2-1/2" lag bolts (20), and 5/16" washers (30) through MSR upper mounting holes and into lower pilot holes.

**NOTE:** Once mounted on wall, MSR location can be adjusted up to a maximum of one inch right or left of slot center, if using slotted mounting holes, or up to a maximum of three inches right or left if mounted using the single stud mounting holes (see Figure 5).

5. Once MSR is properly positioned, tighten all lag bolts.



**Figure 5. MSR Positioning Adjustments**

## ATTACH MSB TO THE DISPLAY

To attach the MSB to the display, do the following:

- To help you identify the correct MSB that matches the model number of your display, refer to the cross-reference chart at [www.chiefmfg.com](http://www.chiefmfg.com).
- To download the corresponding MSB installation instructions, refer to [www.chiefmfg.com](http://www.chiefmfg.com).

### OR

- Contact Customer Service at 952-582-6480 if you have any questions about how to select the MSB that matches the model number of your display.

## INSTALL THE DISPLAY

**IMPORTANT! Display size may impact the ability to effectively reach the latching flag. If this is the case install the optional “Latching Flag Extension kit” provided with mount and reinstall display. See “Latching Flag Extension Installation” below.**

To install the display, do the following:

**NOTE:** Verify that all power/audio/video cables are disconnected and MSR latching flag is in the “down” position before attempting to mount the display.

1. With the aid of another person, lift the display up to the mount (10) on the wall, aligning mounting buttons with the teardrop slots on the mount, and lower the display firmly into place (see Figure 6).
2. Raise latching flag to secure the display (see Figure 7). If the flag does not fully engage, check to ensure the mounting buttons are fully seated in the slots.

**NOTE:** A padlock may be installed through the hole in the latching flag for additional security.

## REMOVE THE DISPLAY

To remove the display from the mount, do the following:

1. Disconnect all power/audio/video cables.
2. Lower the latching flag to unlock the display.
3. With the aid of another person, lift the display up and out of the teardrop slots in the mount to remove the display.

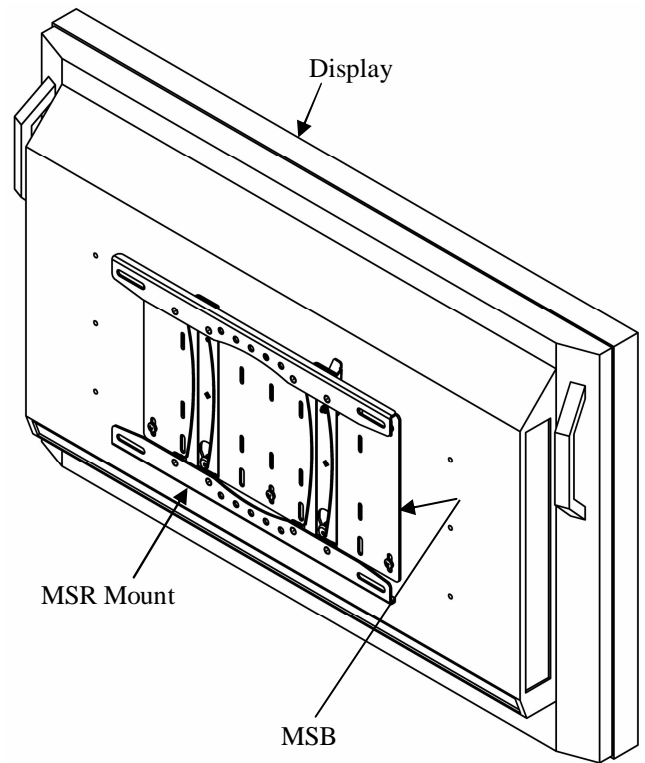


Figure 6. Install the Display

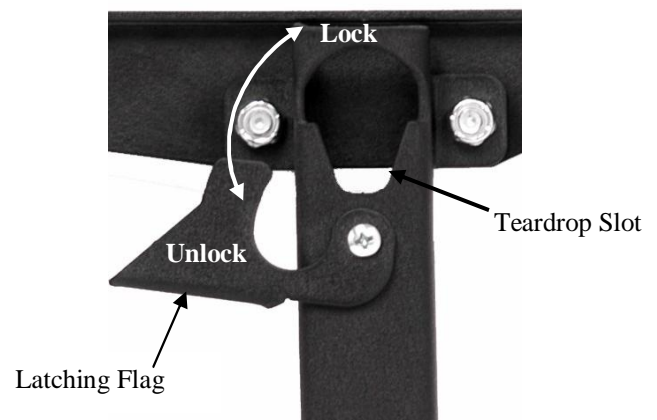
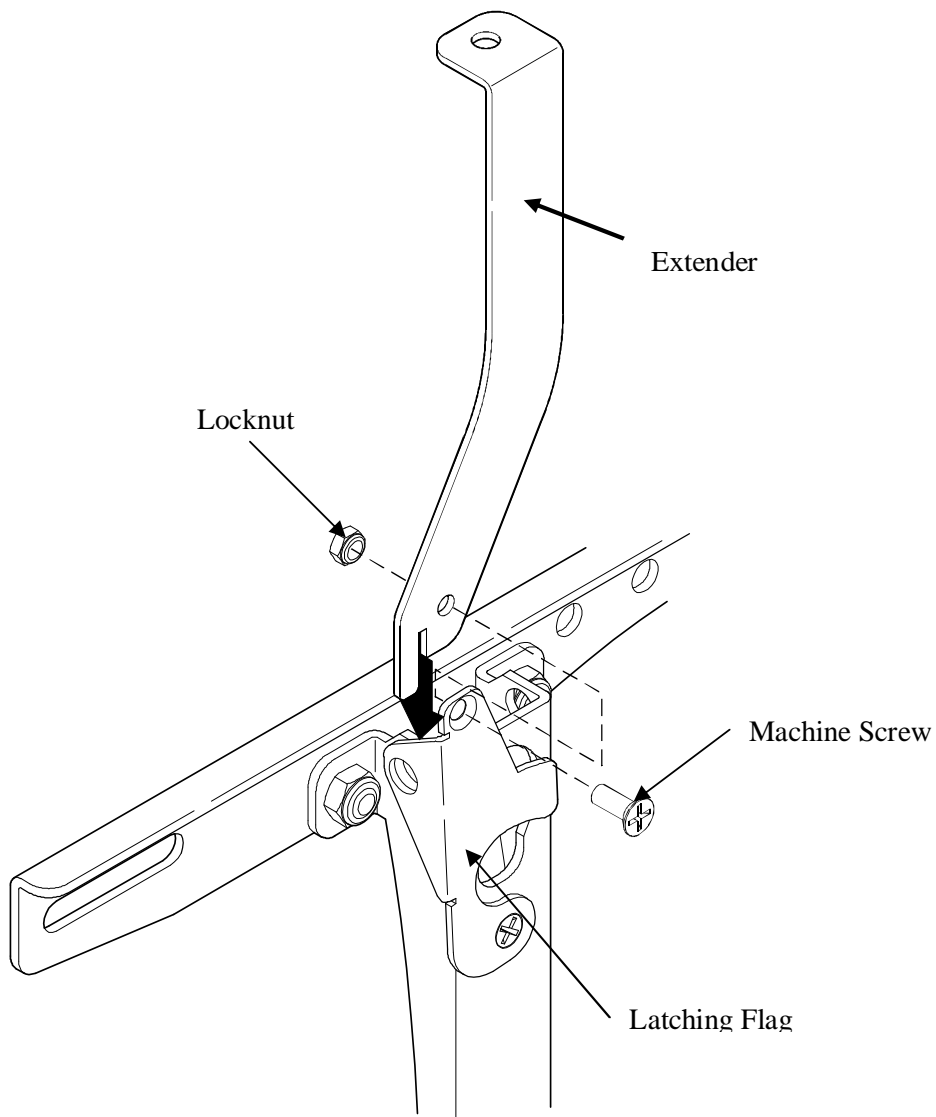


Figure 7. Raise Latching Flag to Lock

## Latching Flag Extension Installation

1. Insert extender slot into top of latching flag.
2. Install screw through latching flag and extender into nut.



**Figure 8. Raise Latching Flag to Lock**