



## FEATURES

- 1 PULL-N-TILT™**  
PATENTED FEATURE (US 6,402,109)  
Provides hand tilt adjustment between 0 - 15°.
- 2 Q-LATCH™ MOUNTING SYSTEM**  
Flat panel secures to mount with a latching flag. Easy to connect/disconnect – no tools needed! Protect display by adding a padlock.
- 3 INTEGRATED LATERAL SHIFT**  
Reposition mount 4" (102 mm) left or right after installation for ultimate positioning flexibility.
- 4 RAPID LEVELING™**  
Hands-free leveling of mount on wall after installation.
- 5 OPEN WALL PLATE DESIGN**  
Expanded wall plate opening provides cable access and reduces risk of outlet interference.



## SPECIFICATIONS

Depth from Wall 1.8" (45.7 mm)

Tilt 0-15°

Dimensions\* 18.38" x 26" x 1.83"  
(HxWxD) (467 x 660 x 46.5 mm)

Color Black

Weight Capacity 200 lbs (90.7 kg)

\* Dimensions don't include interface bracket



## WHAT YOU NEED TO KNOW

### ORDERING OPTIONS

Available in custom or universal.

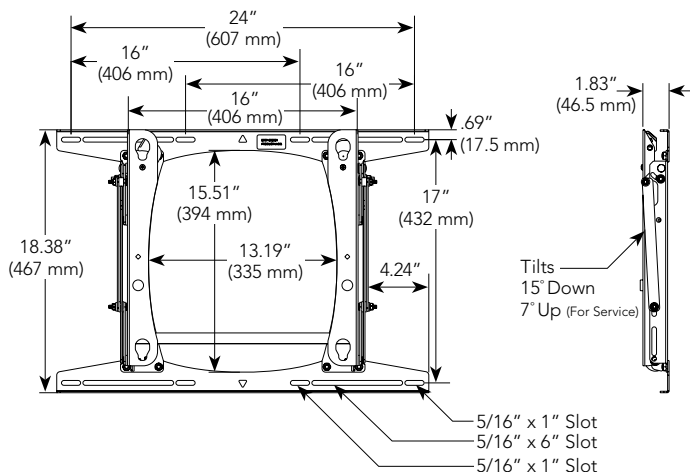
### OTHER PRODUCT OPTION



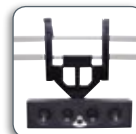
#### PLP16

Portrait/Landscape, Pull-N-Tilt™ Wall Mount

## TECHNICAL DRAWINGS



## RECOMMENDED ACCESSORIES



**PACCC1** ■ Center Channel Speaker Adapter



**PAC510** ■ Retro-Fit Pre-wire Box



**PACPC1** ■ Power Conditioner Kit

For a complete list of flat panel mount accessories see page 69.