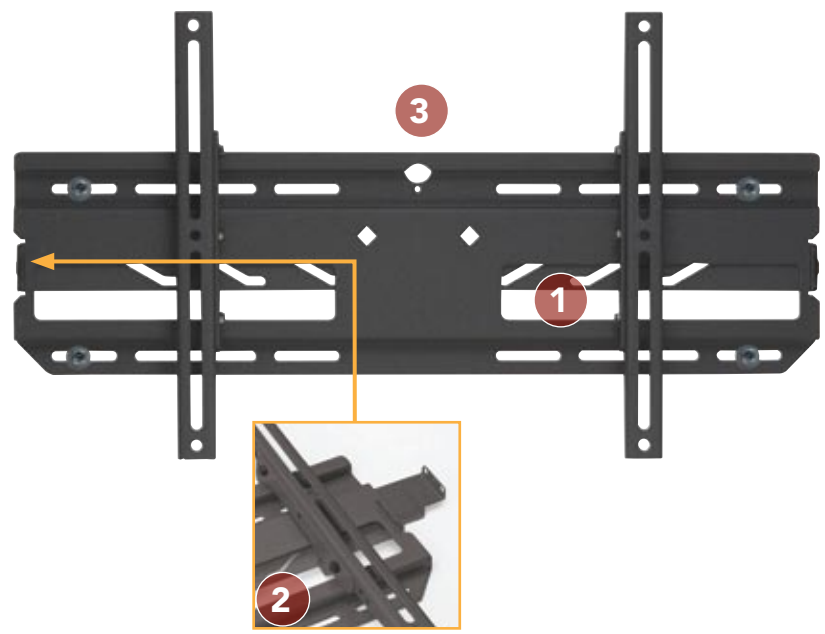




FEATURES

- 1 INTEGRATED LATERAL SHIFT**
Reposition mount 10" (254 mm) left or right after installation for ultimate positioning flexibility.
- 2 EXCLUSIVE GLIDE LOCK™ LATCH**
Tool-less locking feature saves time and effectively secures flat panel to wall mount.
- 3 RAPID LEVELING™**
Hands-free leveling of mount on wall.



SPECIFICATIONS

Depth from Wall	1.63" (41 mm)
Lateral Shift	up to 10" (254 mm)
Dimensions (HxWxD)	18" x 29" x 1.63" (457 x 737 x 41 mm)
Color	Black
Weight Capacity	175 lbs (79.3 kg)

* Dimensions don't include interface bracket

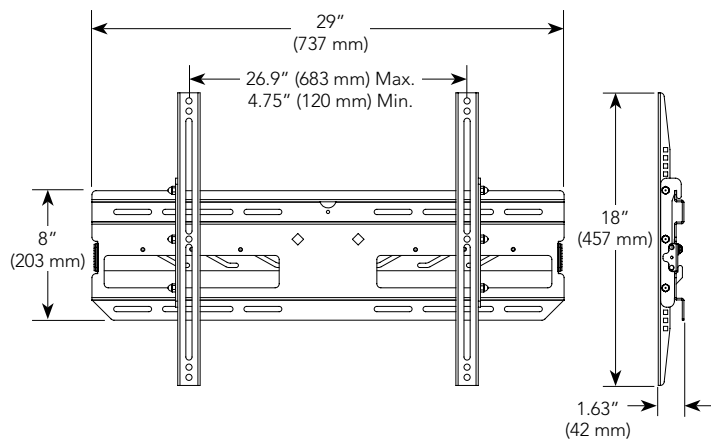


WHAT YOU NEED TO KNOW

UNIVERSAL FIXED MOUNT
The maximum width between your mounting holes must be less than 26.9" (683 mm) and the maximum height must be less than 17" (432 mm) to ensure compatibility of this mount.

INSTALLATION
Includes all mounting hardware.

TECHNICAL DRAWINGS



RECOMMENDED ACCESSORIES

-  **PAC515** ■ New Construction Pre-Wire Box
-  **PAC520** ■ Multiple Option New Construction Pre-Wire Box
-  **PACPC1** ■ Power Filter

For a complete list of flat panel mount accessories see page 69.