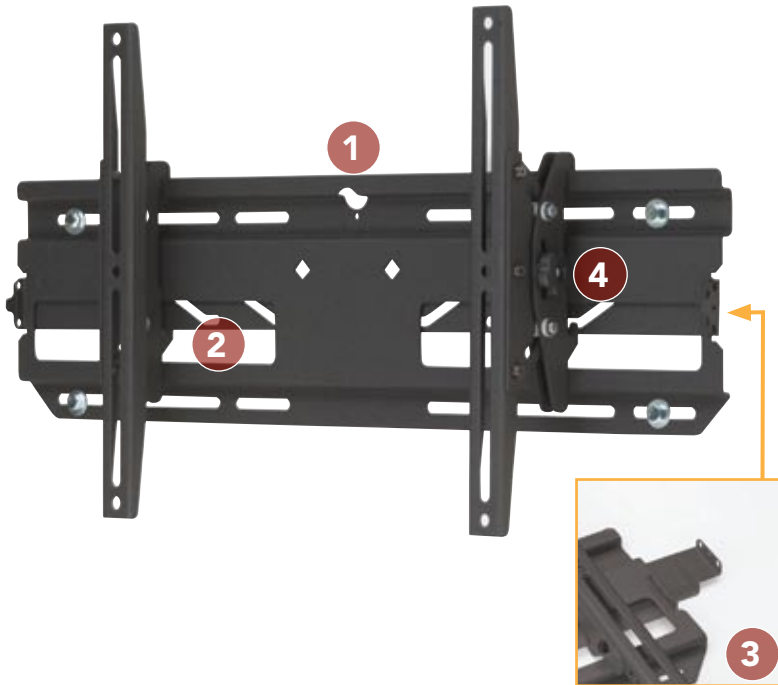




TILT WALL MOUNTS RLT™ 30 - 60" RAIL MOUNT



FEATURES

- 1 RAPID LEVELING™**
Hands-free leveling of mount on wall.
- 2 INTEGRATED LATERAL SHIFT**
Reposition mount 10" (254 mm) left or right after installation for ultimate positioning flexibility.
- 3 EXCLUSIVE GLIDE LOCK™ LATCH**
Tool-less locking feature saves time and effectively secures flat panel to wall mount.
- 4 CENTRIST™ FINGERTIP TILT**
Effortlessly adjust display using Centrist fingertip tilt technology. Screen angle stays set until you decide to re-adjust.

WHAT YOU NEED TO KNOW

UNIVERSAL TILTING MOUNT

The maximum width between your mounting holes must be less than 28.38" (721 mm) and the maximum height must be less than 17" (432 mm) to ensure compatibility of this mount.

INSTALLATION

Includes all mounting hardware.

SPECIFICATIONS

Depth from Wall	3.25" (83 mm)
Tilt	+/-15°
Lateral Shift	10" (254 mm)
Dimensions* (HxWxD)	18" x 29" x 3.26" (457 x 737 x 83 mm)
Color	Black
Weight Capacity	175 lbs (80.5 kg)

* Dimensions don't include interface bracket



RECOMMENDED ACCESSORIES



PAC515 ■ New Construction Pre-Wire Box



PAC520 ■ Multiple Option New Construction Pre-Wire Box



PACPC1 ■ Power Conditioner Kit

For a complete list of flat panel mount accessories see page 69.

TECHNICAL DRAWINGS

