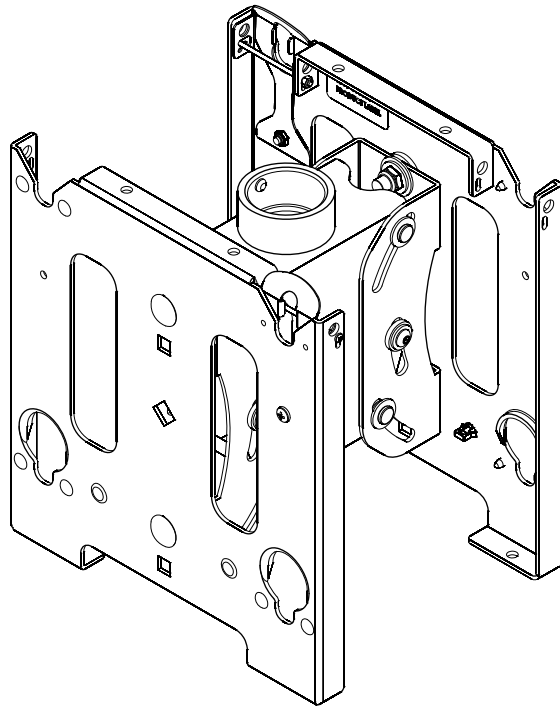

INSTALLATION INSTRUCTIONS



Dual Ceiling Mount

 **CHIEF**[®]

MCD6000 Series

DISCLAIMER

CSAV, Inc., and its affiliated corporations and subsidiaries (collectively, "CSAV"), intend to make this manual accurate and complete. However, CSAV makes no claim that the information contained herein covers all details, conditions or variations, nor does it provide for every possible contingency in connection with the installation or use of this product. The information contained in this document is subject to change without notice or obligation of any kind. CSAV makes no representation of warranty, expressed or implied, regarding the information contained herein. CSAV assumes no responsibility for accuracy, completeness or sufficiency of the information contained in this document.

! IMPORTANT WARNINGS AND CAUTIONS!

! WARNING: A WARNING alerts you to the possibility of serious injury or death if you do not follow the instructions.

! CAUTION: A CAUTION alerts you to the possibility of damage or destruction of equipment if you do not follow the corresponding instructions.

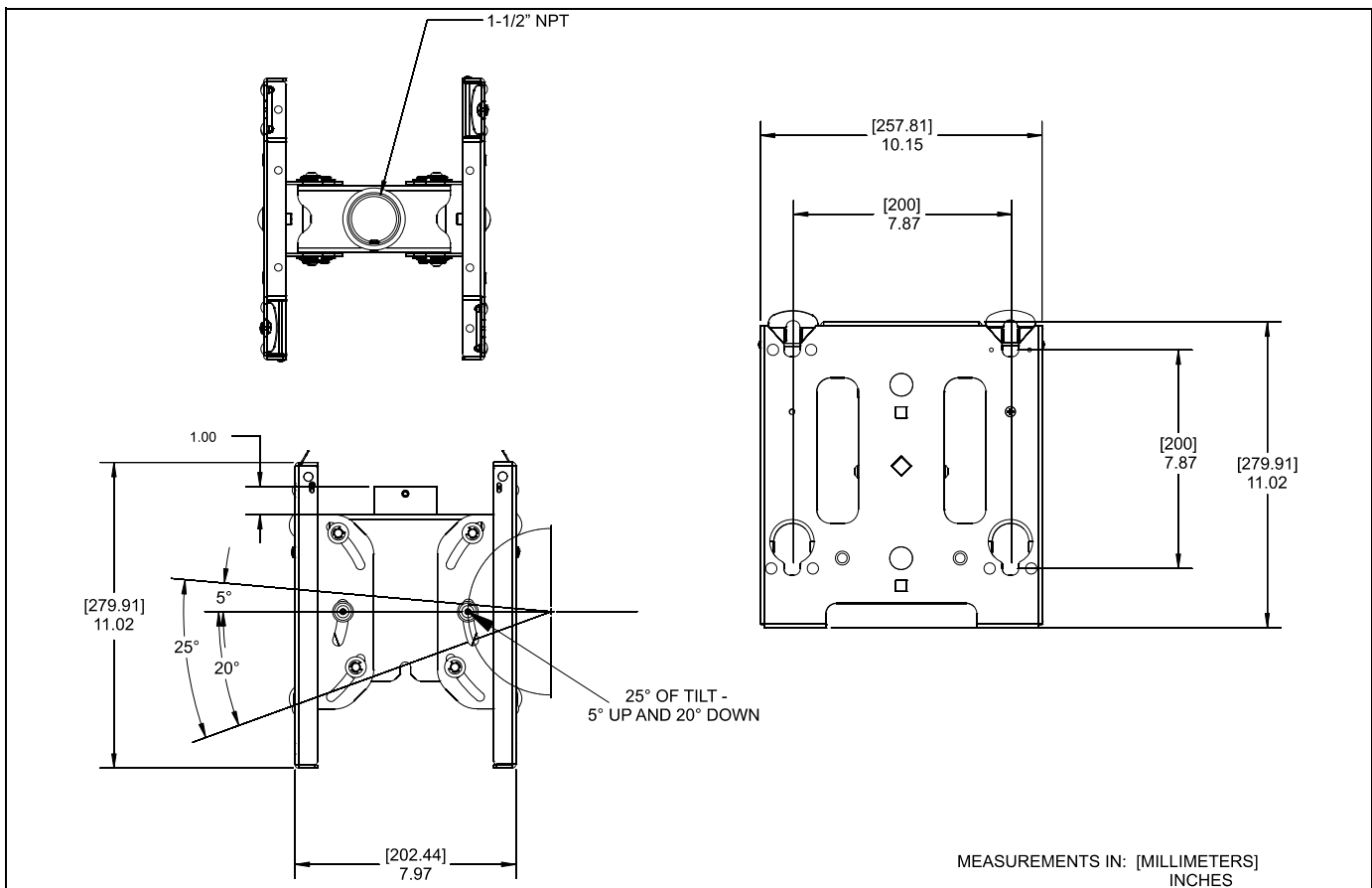
! WARNING: Failure to read, thoroughly understand, and follow all instructions can result in serious personal injury, damage to equipment, or voiding of factory warranty! It is the installer's responsibility to make sure all components are properly assembled and installed using the instructions provided.

! WARNING: Failure to provide adequate structural strength for this component can result in serious personal injury or damage to equipment! It is the installer's responsibility to make sure the structure to which this component is attached can support five times the combined weight of all equipment. Reinforce the structure as required before installing the component.

! WARNING: Exceeding the weight capacity can result in serious personal injury or damage to equipment! It is the installer's responsibility to make sure the combined weight of all components located between the supporting structure and the MCD does not exceed 200 lbs (90.72 kg) [100 lbs (45.36 kg) each faceplate].

- The weight capacity of the MCD may be LIMITED to the lowest weight capacity of any other component located between the MCD and the supporting structure!

DIMENSIONS



LEGEND

	Tighten Fastener
	Apretar elemento de fijación
	Befestigungsteil festziehen
	Apertar fixador
	Serrare il fissaggio
	Bevestiging vastdraaien
	Serrez les fixations

	Loosen Fastener
	Aflojar elemento de fijación
	Befestigungsteil lösen
	Desapertar fixador
	Allentare il fissaggio
	Bevestiging losdraaien
	Desserrez les fixations

	Phillips Screwdriver
	Destornillador Phillips
	Kreuzschlitzschraubendreher
	Chave de fendas Phillips
	Cacciavite a stella
	Kruiskopschroevendraaier
	Tournevis à pointe cruciforme

	Open-Ended Wrench
	Llave de boca
	Gabelschlüssel
	Chave de bocas
	Chiave a punte aperte
	Steeksleutel
	Clé à fourche

	By Hand
	A mano
	Von Hand
	Com a mão
	A mano
	Met de hand
	À la main

	Hex-Head Wrench
	Llave de cabeza hexagonal
	Sechskantschlüssel
	Chave de cabeça sextavada
	Chiave esagonale
	Zeskantsleutel
	Clé à tête hexagonale

	Pencil Mark
	Marcar con lápiz
	Stiftmarkierung
	Marcar com lápis
	Segno a matita
	Potloodmerkteken
	Marquage au crayon

	Drill Hole
	Perforar
	Bohrloch
	Fazer furo
	Praticare un foro
	Gat boren
	Percez un trou

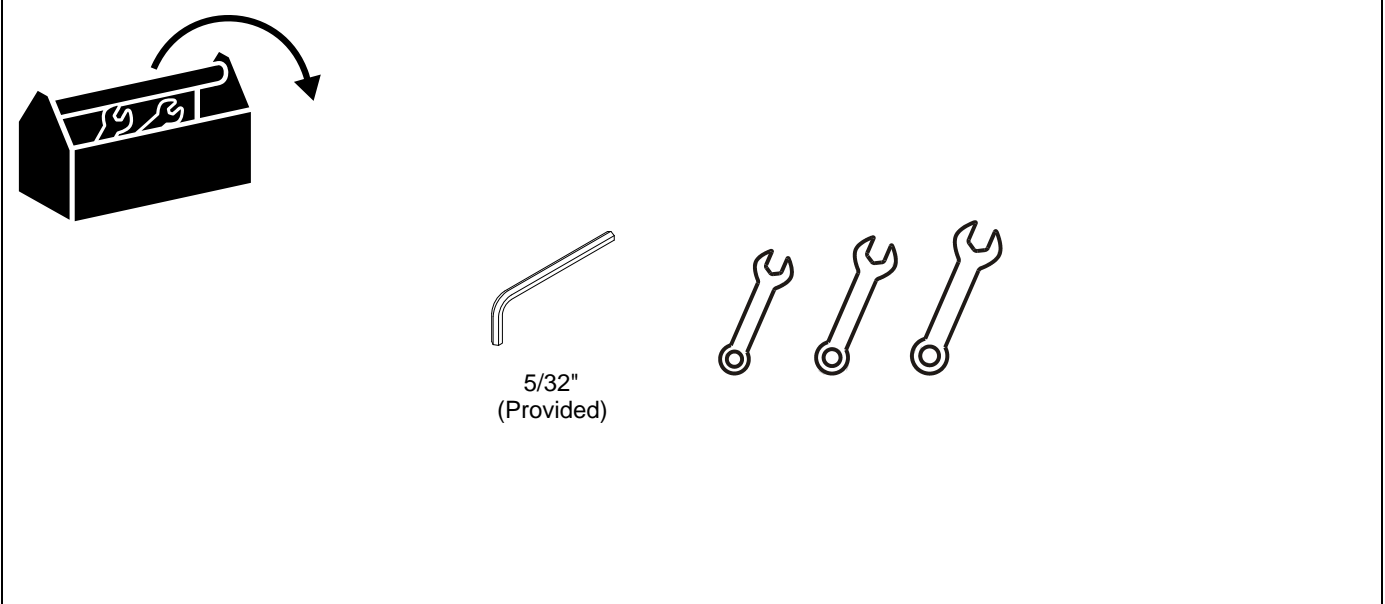
	Adjust
	Ajustar
	Einstellen
	Ajustar
	Regolare
	Afstellen
	Ajuster

	Remove
	Quitar
	Entfernen
	Remover
	Rimuovere
	Verwijderen
	Retirez

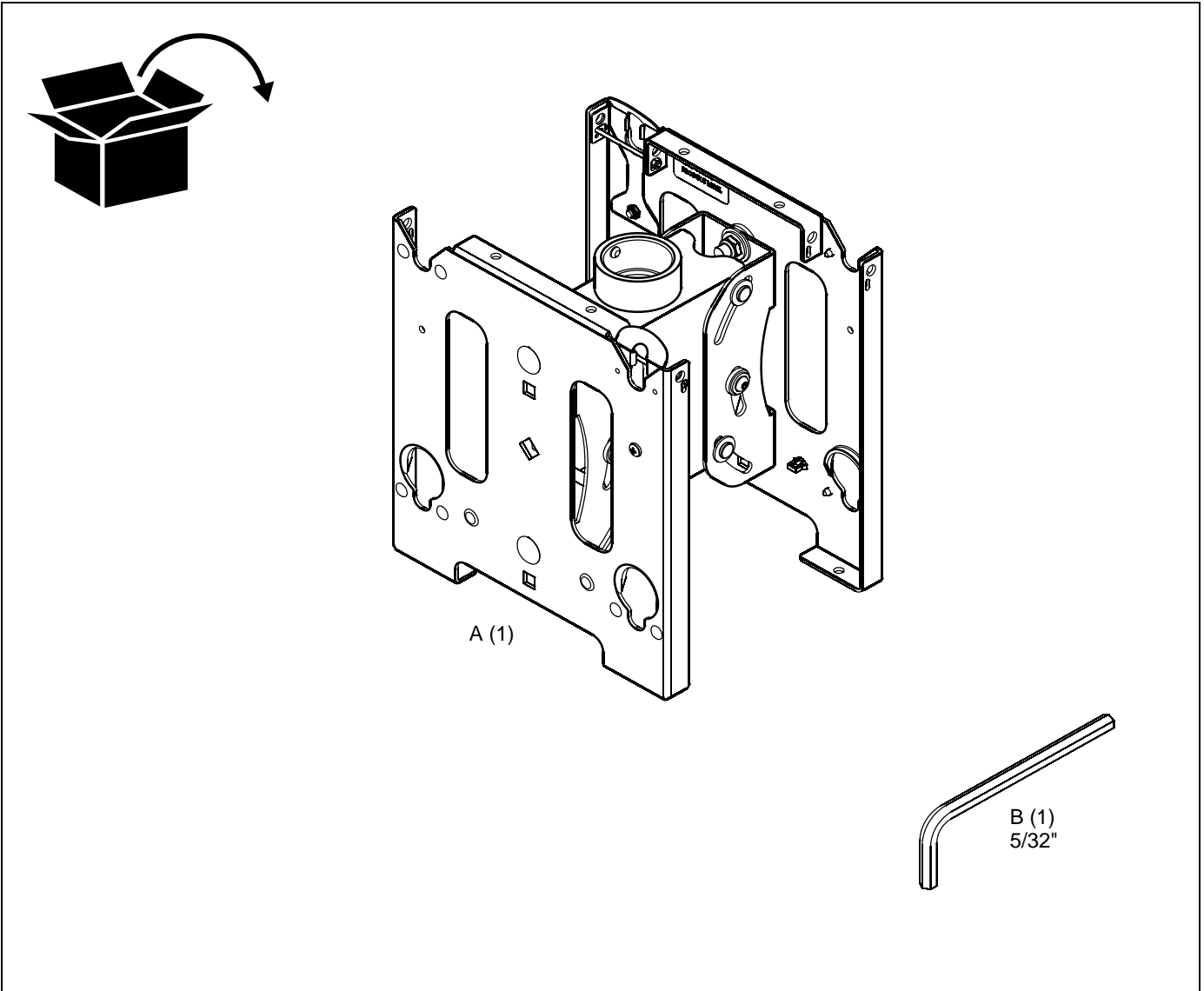
	Optional
	Opcional
	Optional
	Opcional
	Opzionale
	Optie
	En option

	Security Wrench
	Llave de seguridad
	Sicherheitsschlüssel
	Chave de segurança
	Chiave di sicurezza
	Veiligheidssleutel
	Clé de sécurité

TOOLS REQUIRED FOR INSTALLATION



PARTS



INSTALLATION



WARNING: FAILURE TO PROVIDE ADEQUATE STRUCTURAL STRENGTH FOR THIS COMPONENT CAN RESULT IN SERIOUS PERSONAL INJURY OR DAMAGE TO EQUIPMENT! It is the installer's responsibility to make sure the structure to which this component is attached can support five times the combined weight of all equipment. Reinforce the structure as required before installing the component.

Attaching MCD to NPT Pipe



CAUTION: Watch for pinch points. Do not place fingers between moveable parts.

1. Thread the MCD (A) onto the existing 1-1/2" NPT pipe until tight. (See Figure 1)
2. Using the hex head wrench (B) tighten the set screw into the MCD threaded collar to prevent movement of the mount. (See Figure 1)

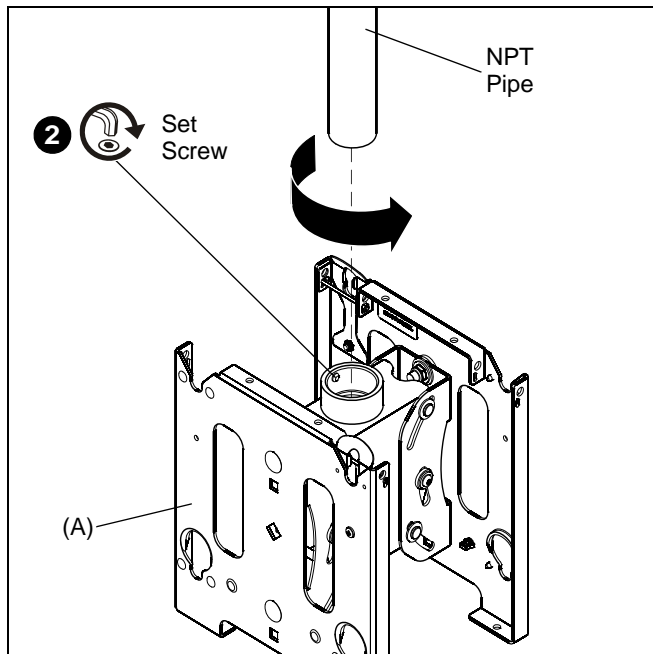


Figure 1

Attaching Interface Bracket to Display

1. Attach interface bracket to display following instructions included with interface bracket kit.

Attaching Displays to MCD

1. While supporting both sides of display, align four mounting buttons on display or interface bracket with four mounting holes in MCD. (See Figures 2, 3 and 4)

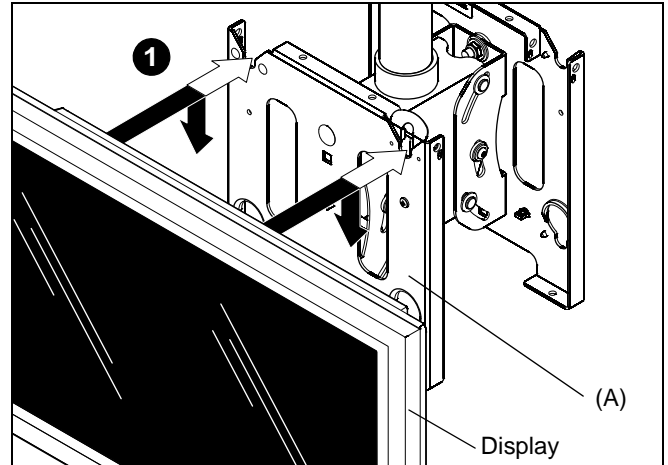


Figure 2



WARNING: DISPLAYS MAY WEIGH IN EXCESS OF 40 LBS EACH! Always use two people and proper lifting techniques when installing or positioning displays on MCD.

2. Lower each display into place listening for audible "click" to ensure recessed area of mounting buttons are properly seated in lower area of mounting holes. (See Fig. 2, 3 and 4)

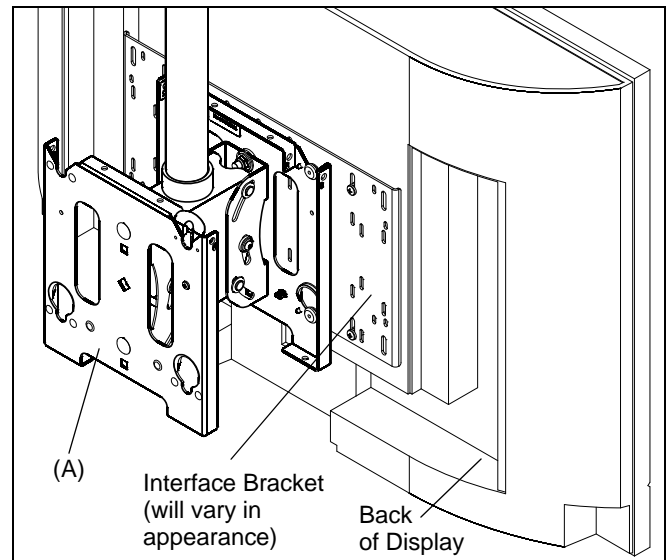


Figure 3



WARNING: IMPROPER INSTALLATION CAN LEAD TO DISPLAY FALLING CAUSING SERIOUS PERSONAL INJURY OR DAMAGE TO EQUIPMENT! Ensure mounting buttons are completely engaged in mounting holes.

NOTE: Holes are provided in the faceplate for use with a padlock or similar locking device, if desired. In addition, the pin and nut may be removed from the upper holes and moved to the lower holes for use as a more permanent locking device. (See Figure 4).

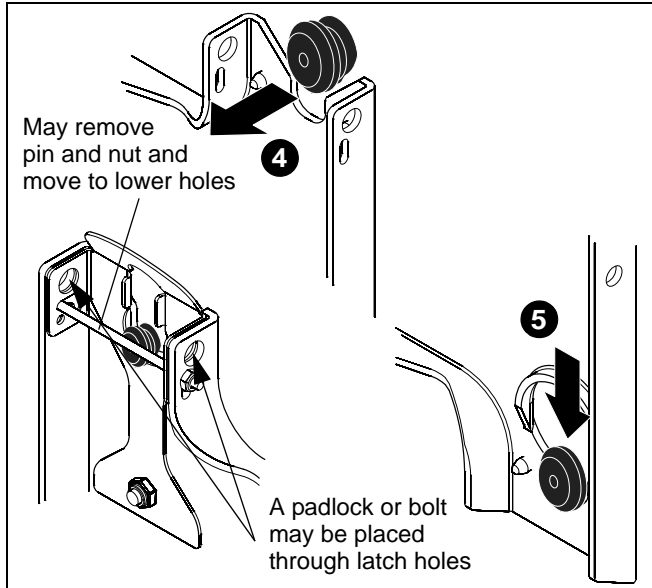


Figure 4

Removing Displays from MCD

1. Disconnect all power/audio/video cables.
2. Remove bolt or padlock from faceplate (if used). (See Figure 5)

NOTE: The pin may have been used as a more permanent locking device. If so, remove nut and pin and move from the lower holes to the upper holes.

3. Pull back on flag on upper mounting hole and press pin down into "Open" position. (See Figure 5)



WARNING: EACH DISPLAY MAY WEIGH IN EXCESS OF 40 LBS EACH! Always use two people and proper lifting techniques when installing or positioning displays on MCD.

4. Carefully lift displays from MCD.
5. Lift up on pin and place flag back against faceplate to return it to "Closed" position. (See Figure 5)

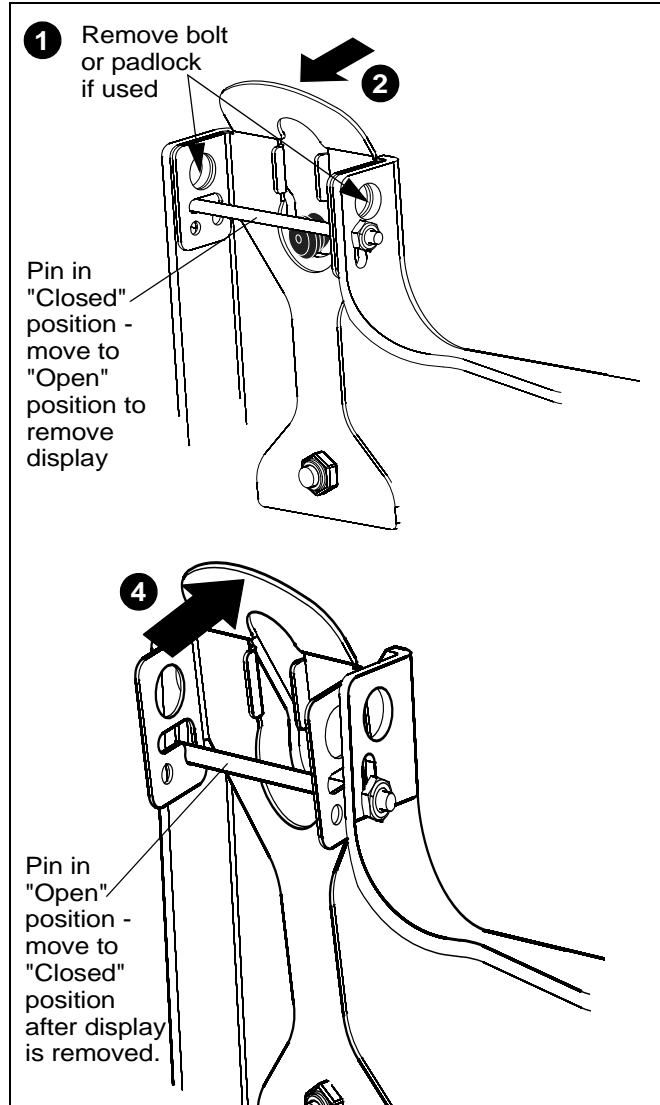


Figure 5

Adjusting Displays



CAUTION: Watch for pinch points. Do not place fingers between moveable parts.

Adjusting Roll

1. Using a 9/16" wrench, loosen the Nylock roll adjustment nut on back of mounting plate. (See Figure 6)
2. Tilt the faceplate left or right as required.
3. Tighten nut.

NOTE: Do NOT overtighten fasteners.

Adjusting Pitch

1. Adjust display to the desired pitch.
2. Using the 5/32" hex head wrench (B), tighten the pitch adjustment screw to hold mount in position. (See Figure 6)

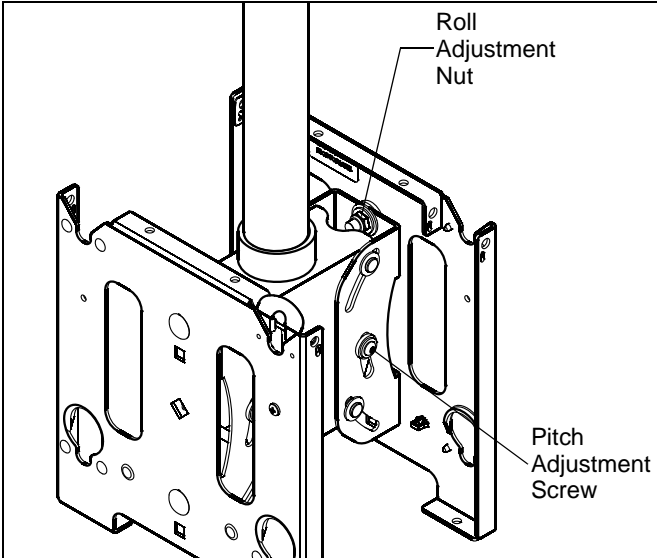


Figure 6



8805-000145 Rev. D
©2007 Chief Manufacturing
www.chiefmfg.com
05/07

USA/International	A 8401 Eagle Creek Parkway, Savage, MN 55378 P 800.582.6480 / 952.894.6280 F 877.894.6918 / 952.894.6918
Europe	A Fellenoord 130 5611 ZB EINDHOVEN, The Netherlands P +31 (0)40 2668620 F +31 (0)40 2668615
Asia Pacific	A Room 30I, Block D, Lily YinDu International Building LuoGang, BuJi Town, Shenzhen, CHINA. Post Code: 518112 深圳市布吉罗岗百合银都国际大厦D栋30I P +86-755-8996 9226 ; 8996 9236 ; 8996 9220 F +86-755-8996 9217

