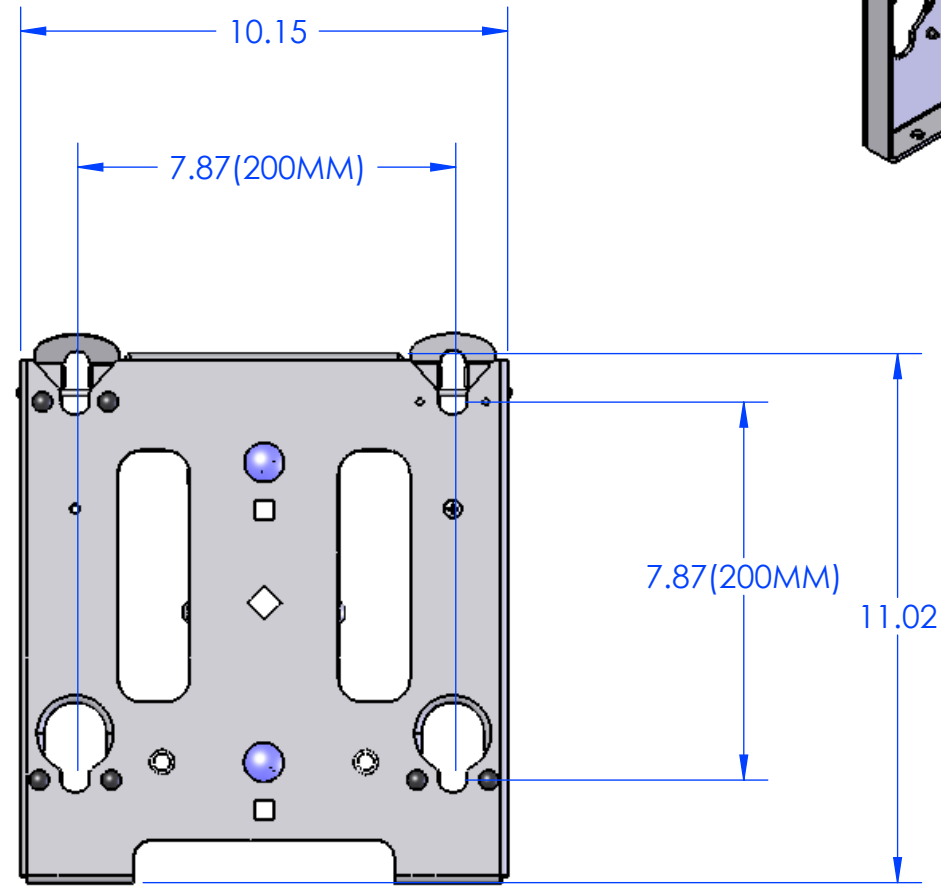
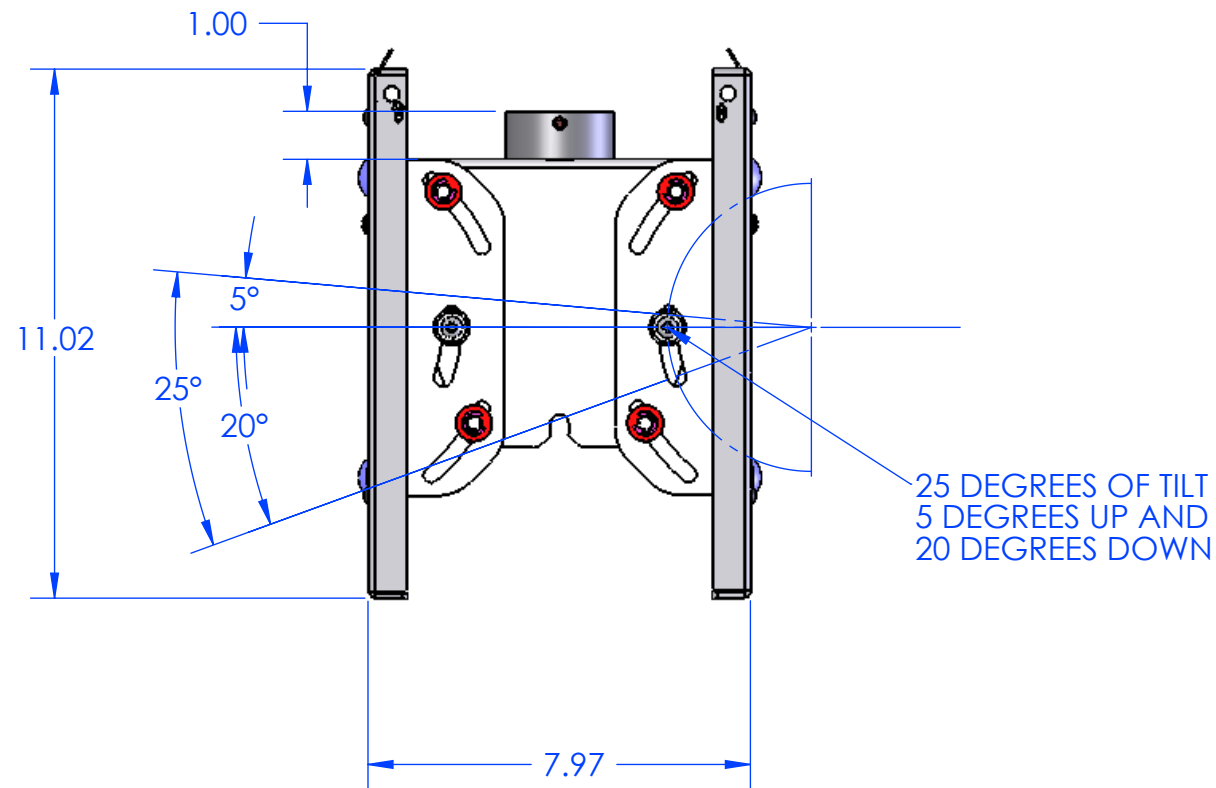
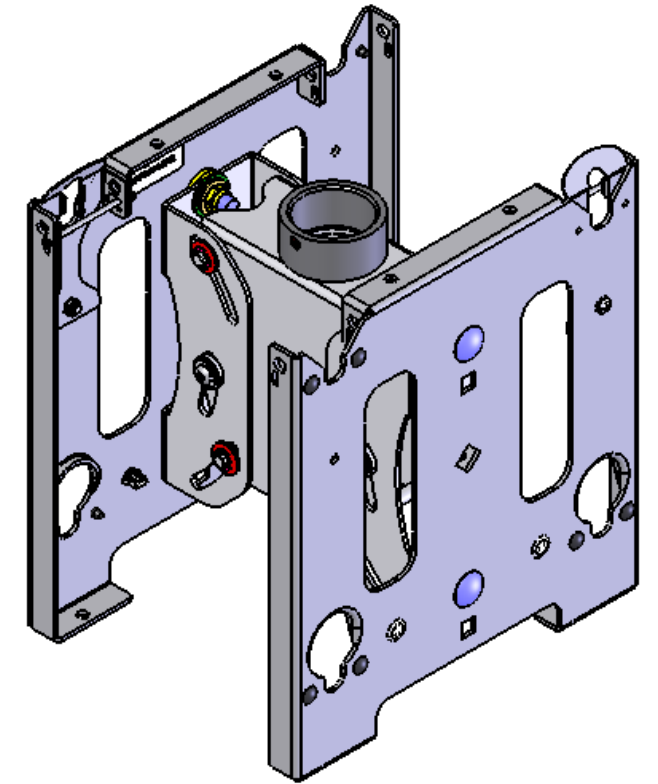
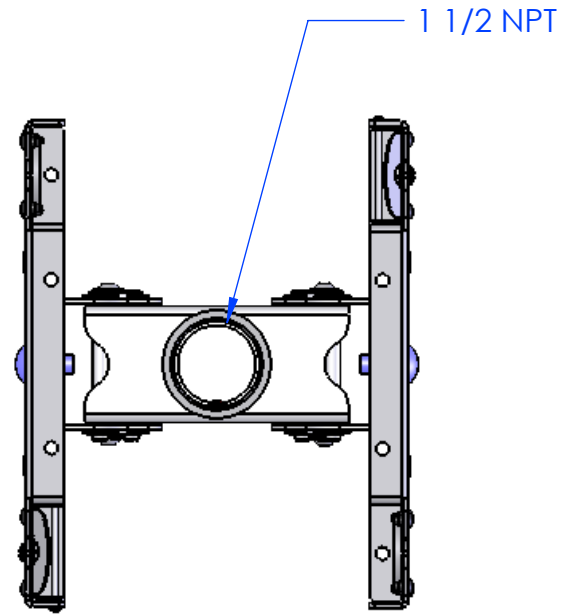



REV	DESCRIPTION	DATE	ECO #	AUTH
00	RELEASED FOR PRODUCTION	4/16/2007	3146	PJO

9200-000503-XXX MFP DUAL CEILING



**THE INFORMATION AND DESIGNS CONTAINED IN THIS DRAWING ARE CONFIDENTIAL AND THE PROPRIETARY PROPERTY OF CHIEF MFG., INC. NEITHER THIS DESIGN NOR ANY INFORMATION CONTAINED IN THIS DRAWING MAY BE REPRODUCED OR DISCLOSED TO OTHERS WITHOUT THE EXPRESS WRITTEN CONSENT OF CHIEF MFG., INC.**

CAD GENERATED DRAWING. DO NOT MANUALLY UPDATE			8401 EAGLE CREEK PKY SAVAGE, MN 55378 PHONE: 952-894-6280 FAX: 877-894-6918	
DATE	XX/XX/XX		TITLE <b>MCD DUAL CEILING TECH</b>	
DESIGNER	XXX			
DETAILER	XXX			
RESP ENG	XXX			
SHEET 2 OF 2		SIZE	DWG. NO.	REV.
		B	<b>9200-000503-XXX</b>	00