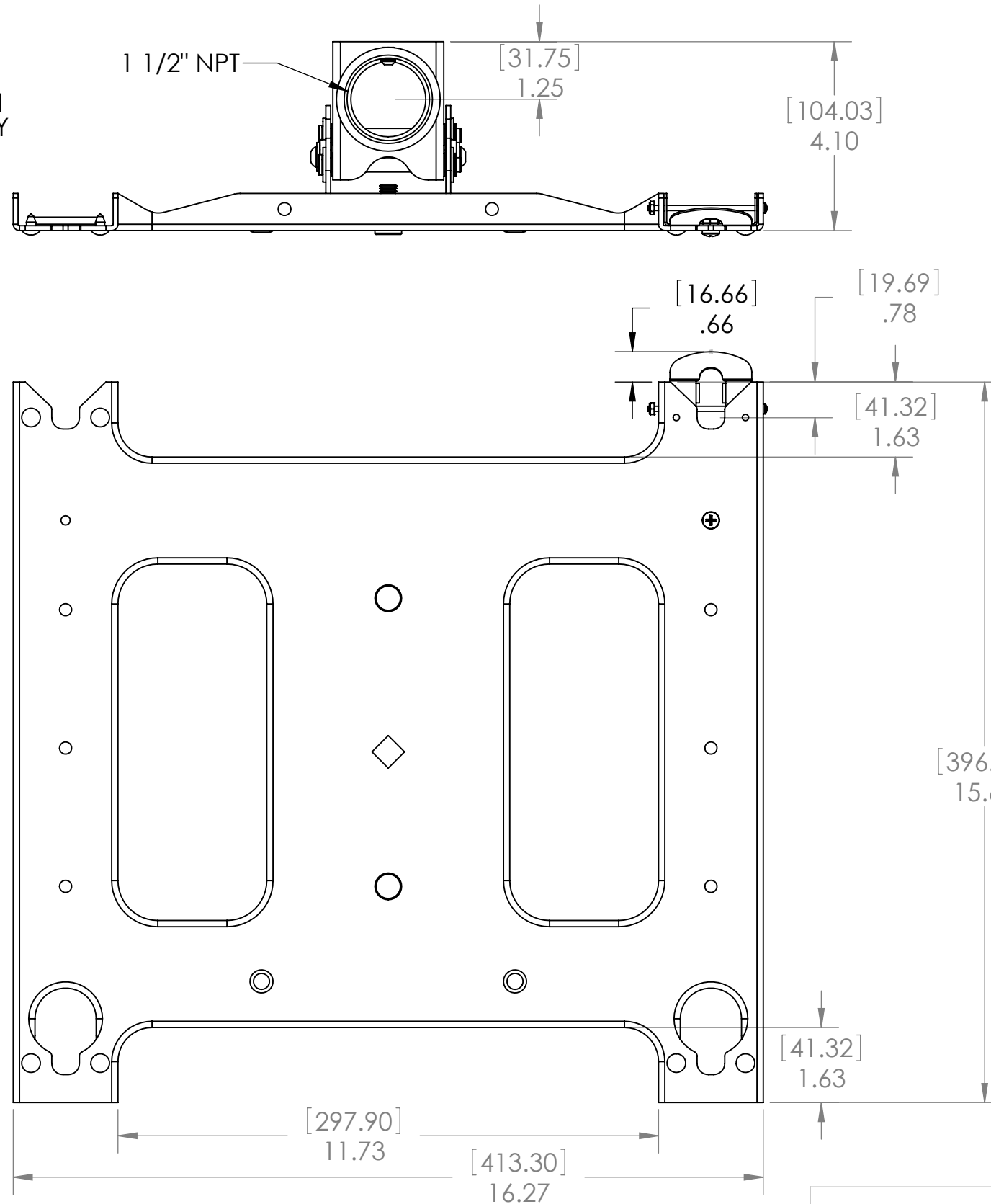


NOTE: CUSTOM INTERAFCE BRACKET NOT SHOWN. THE CUSTOM INTERFACE BRACKET NEEDED FOR YOUR DISPLAY WILL ADD BETWEEN 1/2" AND 2" IN DEPTH AND MAY AFFECT LOCATION OF DISPLAY ON THE MOUNT.

SEE PSB-XXXX DRAWING ALSO.



PRODUCT FEATURES	
WEIGHT CAPACITY	200 LBS
HEIGHT ADJUSTMENT	0"
TILT / ROLL / YAW	+5°,-20° / ±2° / ±0°

BRACKET ORDER # PCS



**CHIEF MANUFACTURING INC.**  
**MOUNT ORDER NUMBER IS PCS**  
**PHONE: 1-800-582-6480**  
**7/2/2007**

ALL MEASUREMENTS ARE IN THE FOLLOWING FORMAT:  
 [MILLIMETERS]  
 INCHES

THE INFORMATION AND DESIGNS CONTAINED IN THIS DRAWING ARE CONFIDENTIAL AND THE PROPRIETARY PROPERTY OF CHIEF MFG., INC. NEITHER THIS DESIGN NOR ANY INFORMATION CONTAINED IN THIS DRAWING MAY BE REPRODUCED OR DISCLOSED TO OTHERS WITHOUT THE EXPRESS WRITTEN CONSENT OF CHIEF MFG., INC.

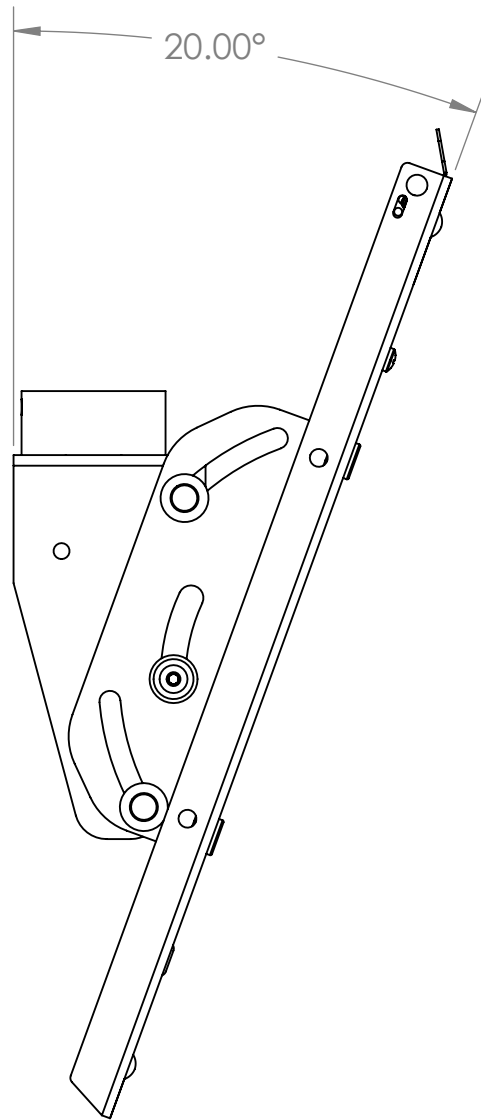
**CHIEF** MANUFACTURING, INC.  
 8401 EAGLE CREEK PKWY \* SAVAGE, MN 55378  
 1.800.582.6480 \* fax 1.877.894.6918

TITLE  
**CUSTOMER PRINT**

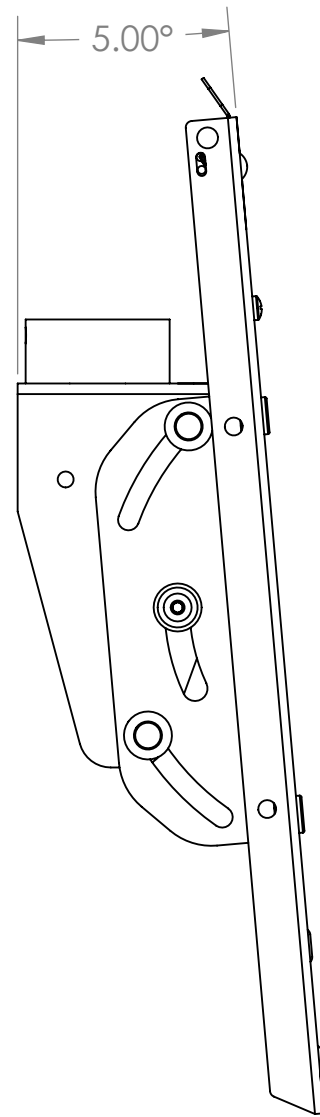
SIZE | DWG. NO.  
**B BRACKET ORDER # PCS**

## Tilt Adjustment

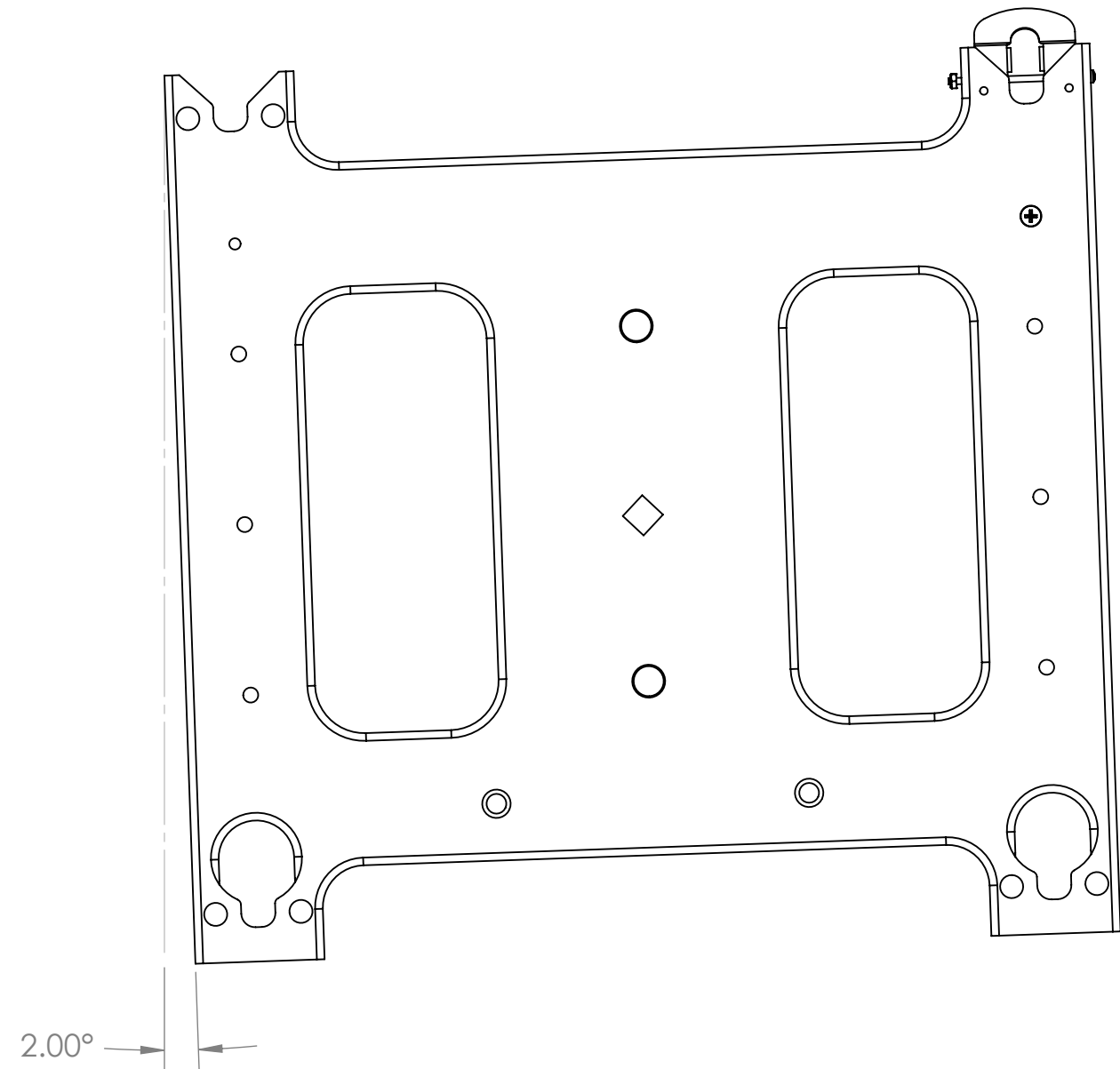
### Tilted Down



### Tilted Up



## Roll Adjustment



THE INFORMATION AND DESIGNS CONTAINED  
IN THIS DRAWING ARE CONFIDENTIAL AND THE  
PROPRIETARY PROPERTY OF CHIEF MFG., INC.  
NEITHER THIS DESIGN NOR ANY INFORMATION  
CONTAINED IN THIS DRAWING MAY BE  
REPRODUCED OR DISCLOSED TO OTHERS  
WITHOUT THE EXPRESS WRITTEN CONSENT OF  
CHIEF MFG., INC.

**CHIEF** MANUFACTURING, INC.  
8401 EAGLE CREEK PKWY \* SAVAGE, MN 55378  
1.800.582.6480 \* fax 1.877.894.6918

TITLE  
**CUSTOMER PRINT**

SIZE | DWG. NO.  
**B BRACKET ORDER # PCS**

BRACKET ORDER # PCS

D

C

B

A

1

2

3

4

5

6

7

8

D

C

B

A

1

2

3

4

5

6

7

8