

Instruction Sheet  
Model LSCW60



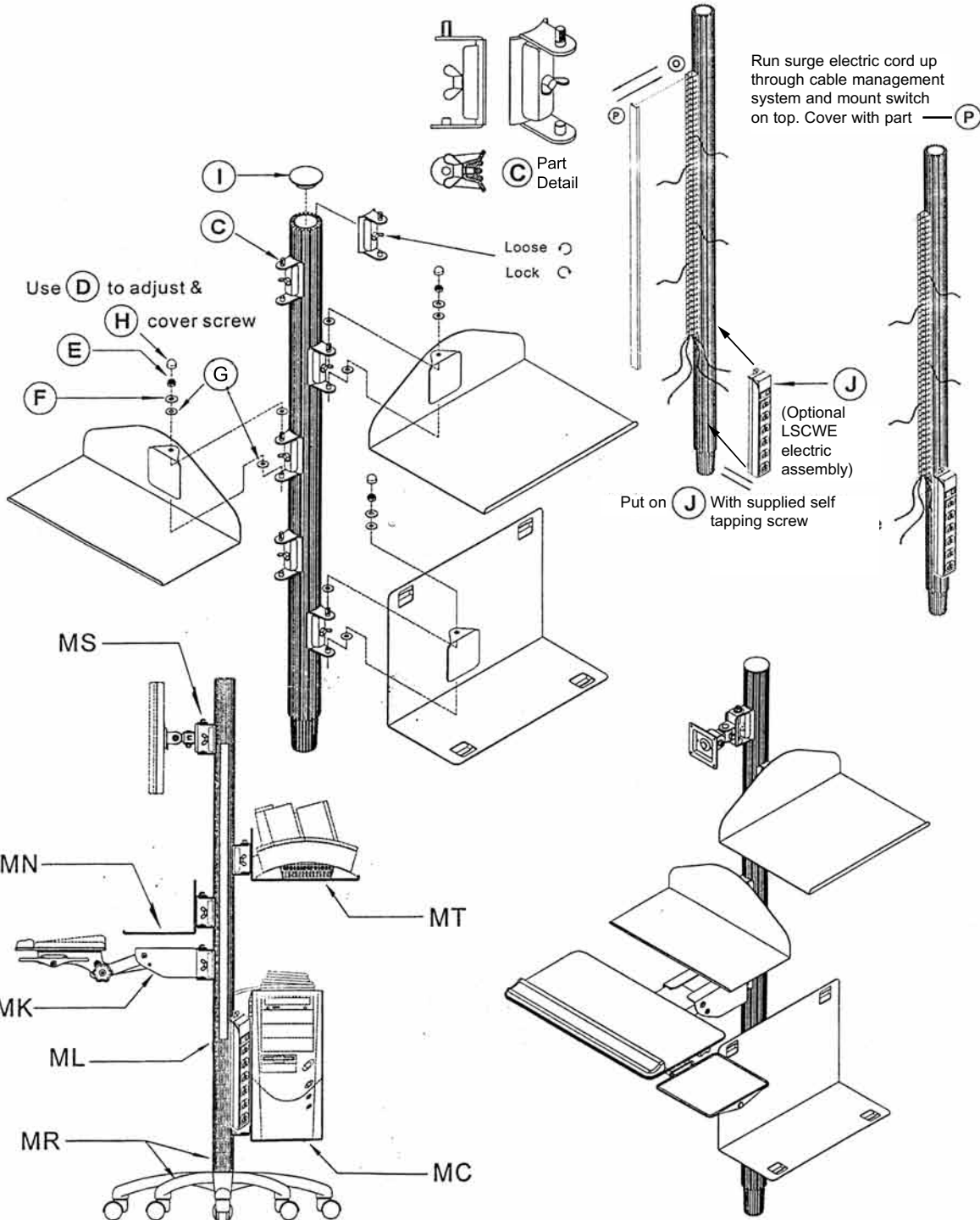
Customer Service Dept.  
2245 Delany Rd.  
Waukegan, IL 60087

PH: 847/244-1800 • 800/323-4656  
Fax: 847/244-1818 • 800/327-1698



Parts List

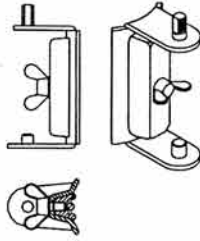
ITEM	(A)	(B)	(C)	(D)	(E)	(F)	(G)	(H)	(I)
PARTS									
QTY	1	1	1	1	1	1	3	1	1



Instruction Sheet  
 Model LSCW60 Keyboard (Part MK)

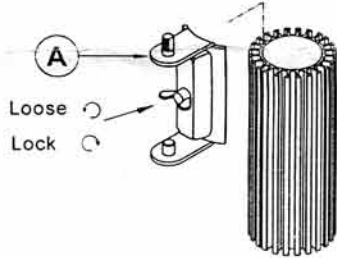


Customer Service Dept.  
 2245 Delany Rd.  
 Waukegan, IL 60087  
 PH: 847/244-1800 • 800/323-4656  
 Fax: 847/244-1818 • 800/327-1698

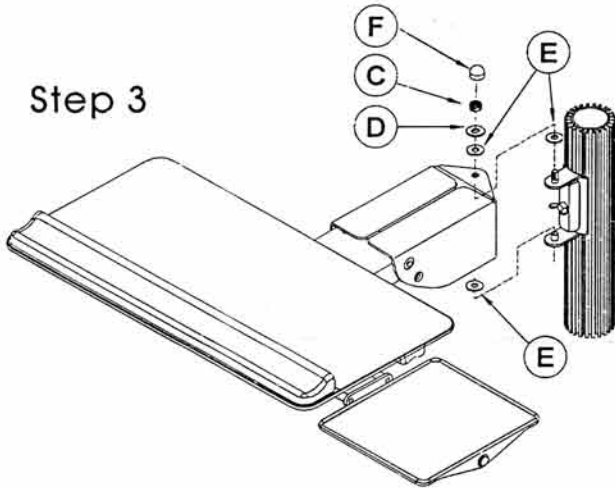


(A) part Detail

Step 1

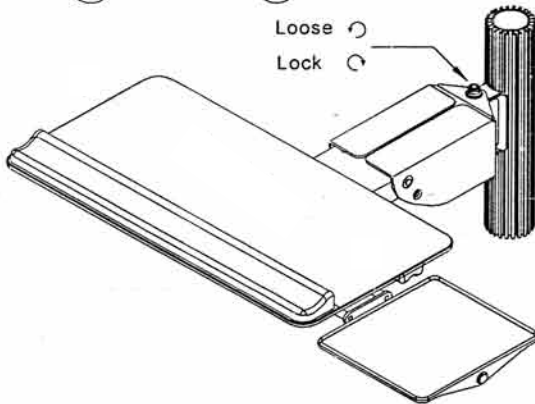


Step 3

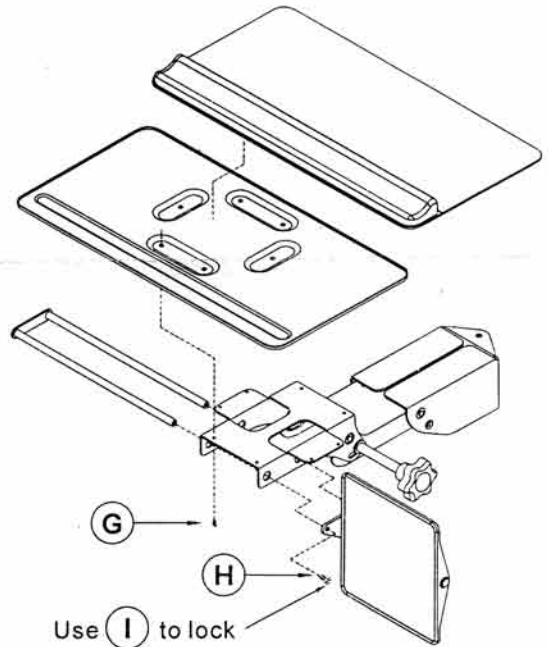


Step 4

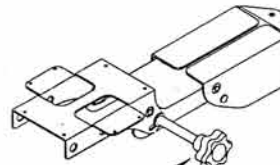
Use (B) to adjust & (F) cover screw



Step 2



**\*Operation Instruction:**



Easy to use knob

Loose ↺

Lock ↻

Step 1:

Loosen the knob

Step 2:

Press the knob down and adjust the height

Step 3:

Adjust the tilt and twist to lock

**\*Features:**

One step to adjust the height and tilt of platform

Base swivel: 180°

Platform tilt adjustment range: 20° to -20°

ITEM	(A)	(B)	(C)	(D)	(E)	(F)	(G)	(H)	(I)
PARTS									
QTY	1	1	1	1	3	1	6	2	1