

Instruction Sheet Model AVJ42KB **LUXOR | H. WILSON**

Customer Service Dept
2245 Delany Rd
Waukegan, IL 60087
Ph: 847/244-1800 • 800/323-4656
Fax: 847/244-1818 • 800/327-1698



AVJ42KB

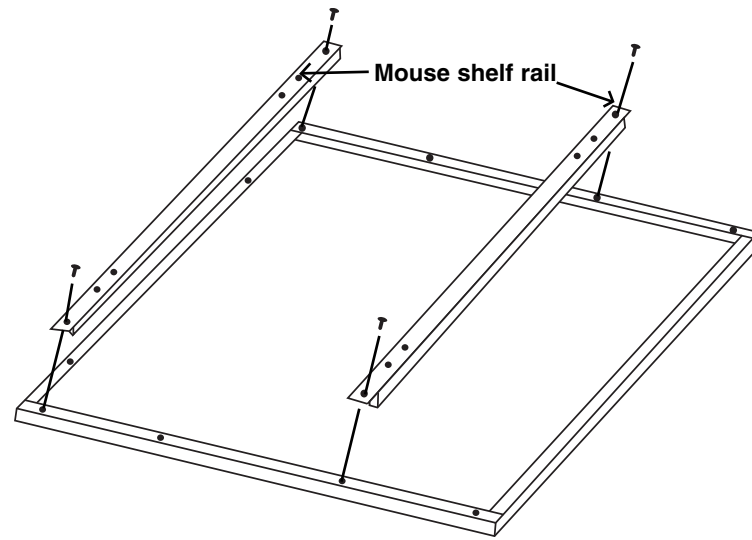
PARTS LIST FOR SHELF ASSEMBLY

- 4 - L-brackets
- 4 - Washers
- 4 - Bolts
- 4 - Nuts
- 4 - Self tapping screws
- 16 - Sheet metal screws
- 2 - Runners
- 1- Keyboard Shelf Rack

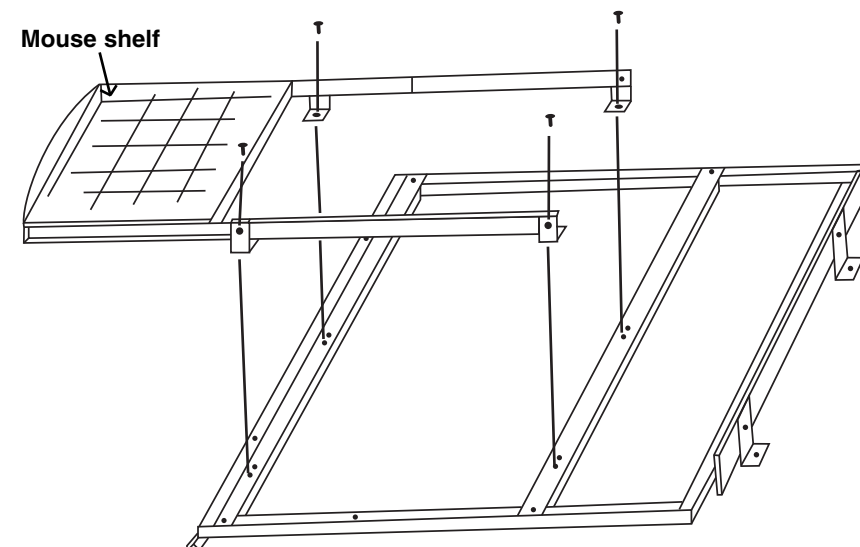
Step 1

MOUSE SHELF ASSEMBLY

(Note: For the mouse shelf to pull out to the right, use the first set of holes on the left side and the third set of holes.)

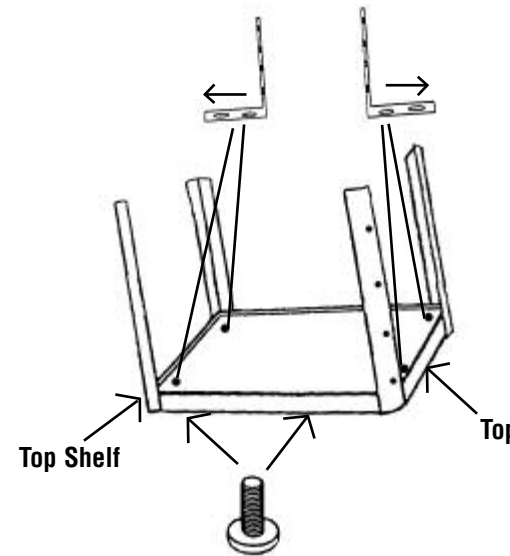


Attach the mouse shelf support bars to the first holes and third holes on the bottom of the keyboard shelf with 4-sheet screws. Then align the brackets on the mouse shelf to the holes on the support bars and attach using 8 sheet metal screws.



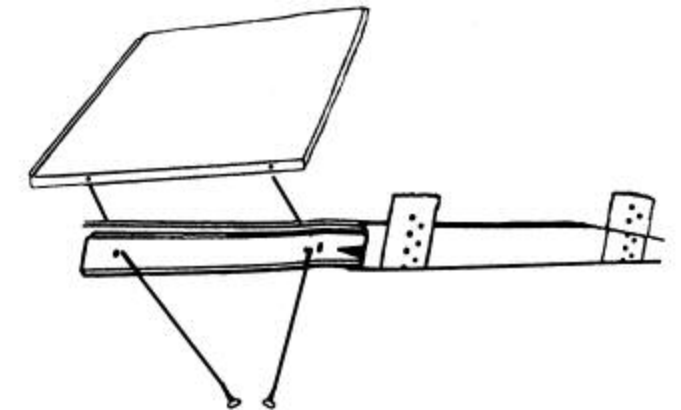
Step 2

Mount the four L-Brackets to the holes on the top shelf using 4- bolts, 4- washers and 4- nuts. Be sure brackets are pointing outward. Then align the two threaded holes on the side of the runners to the hole on the brackets and attach with two pan head screws. Do the same to the other side.

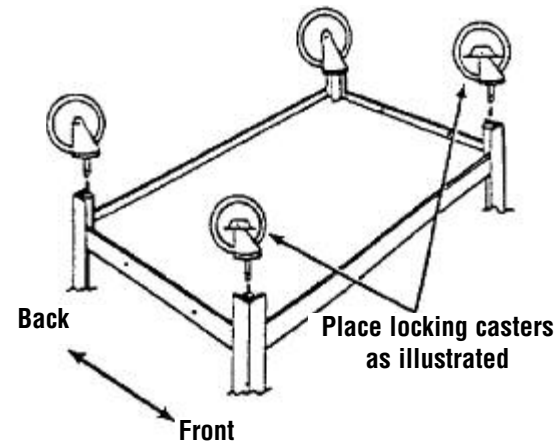


Step 3

Extend runners outward and align the holes on the side of the keyboard to the first hole and last hole on the slides, and attach with two sheet metal screws on each side.

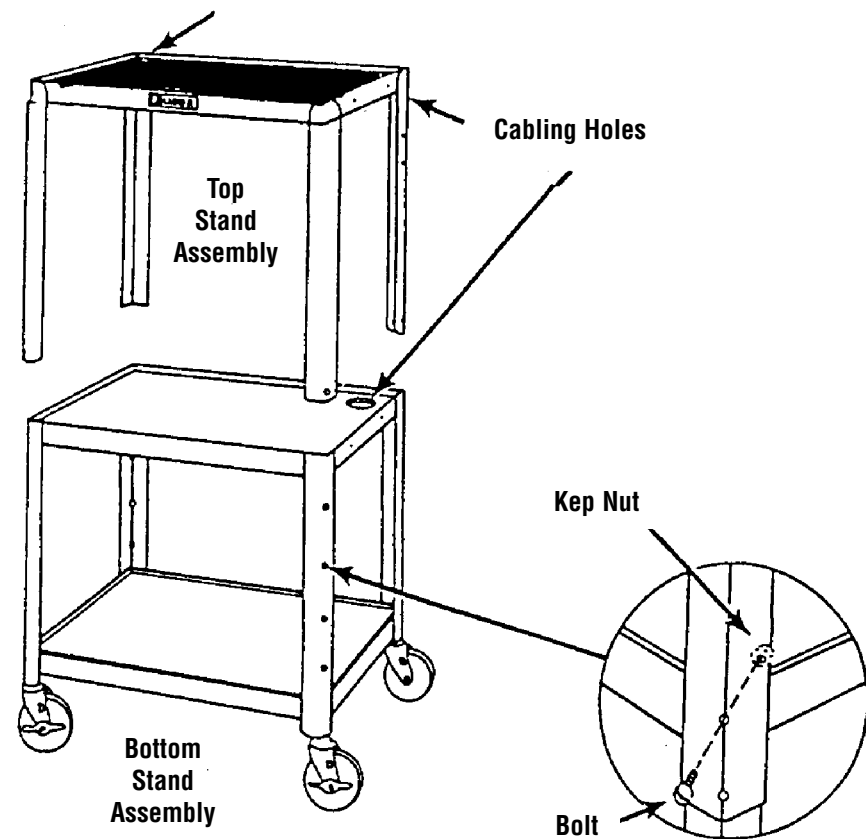


4. Turn bottom stand assembly upside down on a smooth surface. Push the four casters firmly into the caster socket holes in bottom of each leg as illustrated.

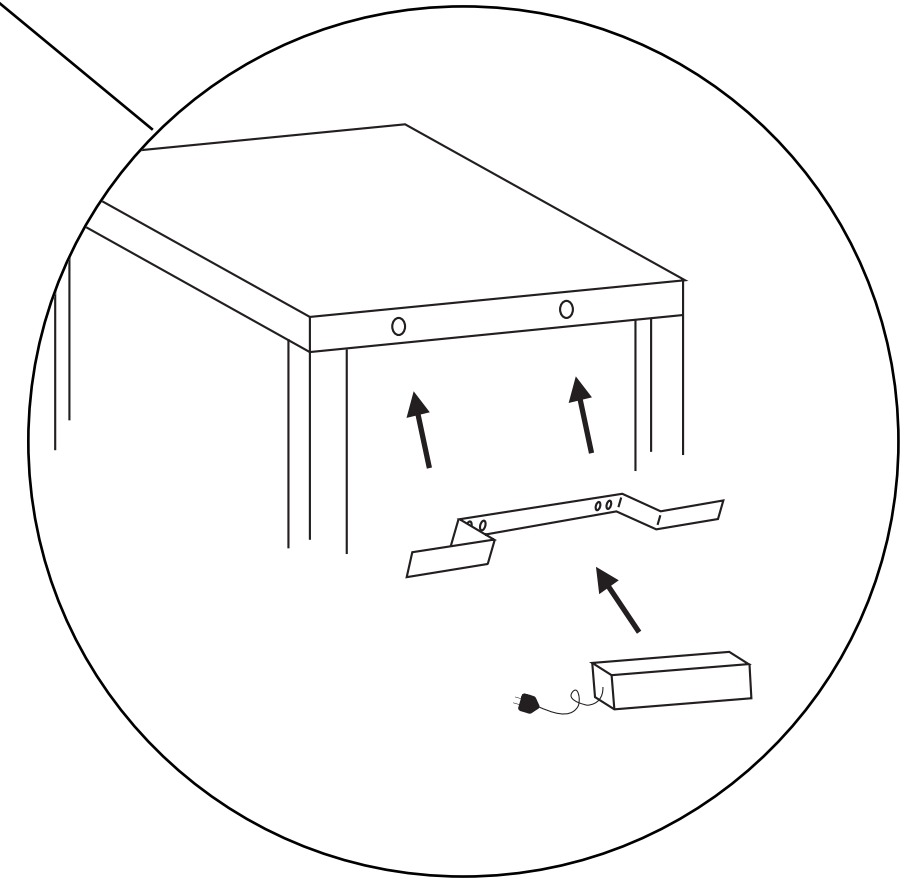
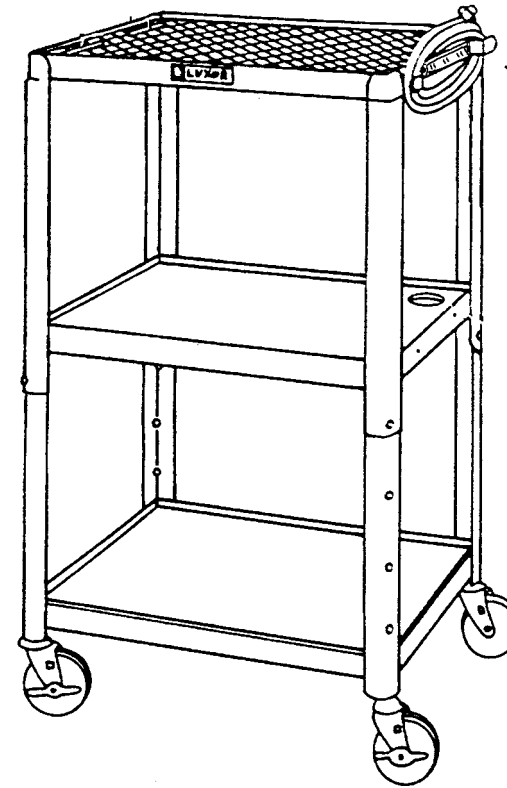


5. a. Position top stand assembly over bottom stand assembly, as illustrated. Note: Be sure cabling hole in corner of top and middle shelves line up on top of each other.

b. Adjust top stand assembly up or down to desired height. Align holes in all four legs, insert bolts and fasten with four keps nuts, as illustrated.



6. ELECTRIC ASSEMBLY



PARTS LIST FOR STEPS 4, 5, AND 6.

- 1 - Set of casters
- 1 - Power cord
- 1 - Cord wrap

FOR ATTACHING TOP SHELF TO BOTTOM HALF

- 4 - Kep nuts
- 4 - 3/4" bolts

Place metal cordwrap onto metal top shelf making sure that the holes on the cordwrap align with the holes on the shelf. Place the two screws through the holes of the electrical assembly. Place the electrical assembly with the two screws through the holes of the cordwrap and mounting bracket. Secure screws with wingnuts.