

## INSTALLATION MANUAL



### **PSD-BW/PSD-BWL Nesting Cart Series**

---

#### **NORTH AMERICA**

3130 East Miraloma Avenue  
Anaheim, CA 92806 USA  
USA and Canada –  
Phone: 800-368-9700  
Fax: 800-832-4888

#### **EUROPE**

Swallow House,  
Shilton Industrial Estate,  
Shilton, Coventry, England CV79JY  
Phone: +44 (0) 2476 614700  
Fax: +44 (0) 2476 614710

#### **AUSTRALIA, NEW ZEALAND, OCEANIA (Distributor)**

P.O. Box 295  
Mordialloc Victoria 3195  
Australia  
Phone: 03 9586 6330  
[www.premiermounts.com.au](http://www.premiermounts.com.au)

Other Locations – Phone: 001.714.632.7100; Fax: 001.714.632.1044

©Premier Mounts 2008



## Table of Contents

WARRANTY ..... - 2 -

CONTACT PREMIER MOUNTS ..... - 2 -

WARNING STATEMENTS ..... - 3 -

PARTS LIST ..... - 4 -

INSTALLATION TOOLS ..... - 4 -

BW BASE CASTOR INSTALLATION (FIGURE 1) ..... - 5 -

SUPPORT TUBE INSTALLATION (FIGURE 2) ..... - 5 -

PSD-SPA INSTALLATION (FIGURE 3) ..... - 6 -

PSD-BW/L NESTING CART STORAGE (FIGURE 4) ..... - 6 -

OPTIONAL MOUNTING CONFIGURATIONS ..... - 7 -

TECHNICAL SPECIFICATIONS ..... - 8 -

NOTES ..... - 8 -

### Warranty

#### Limited Lifetime Warranty

All Premier Mounts products carry a limited lifetime warranty from ship date against defects in materials and workmanship. Premier Mounts is not liable for improper installation that results in damage to mounts, adapters, display equipment or personal injury.

#### **Contact Premier Mounts**

In the event of missing and/or damage equipment, or technical questions, the following information can help in the completion of the installation.

Customer Service – (800) 368-9700

Technical Support – [techsupport@mounts.com](mailto:techsupport@mounts.com)



### Warning Statements



PREMIER MOUNTS DOES NOT WARRANT AGAINST DAMAGE CAUSED BY THE USE OF ANY PREMIER MOUNTS PRODUCT FOR PURPOSES OTHER THAN THOSE FOR WHICH IT WAS DESIGNED OR DAMAGE CAUSED BY UNAUTHORIZED ATTACHMENTS OR MODIFICATIONS, AND IS NOT RESPONSIBLE FOR ANY DAMAGES, CLAIMS, DEMANDS, SUITS, ACTIONS OR CAUSES OF ACTION OF WHATEVER KIND RESULTING FROM, ARISING OUT OF OR IN ANY MANNER RELATING TO ANY SUCH USE, ATTACHMENTS OR MODIFICATIONS.



THE FLOOR STRUCTURE MUST BE CAPABLE OF SUPPORTING AT LEAST 250 LBS. IF NOT, THE FLOOR STRUCTURE MUST BE REINFORCED. PROPER INSTALLATION PROCEDURE BY A QUALIFIED SERVICE TECHNICIAN, AS OUTLINED IN THE INSTALLATION INSTRUCTIONS, MUST BE ADHERED TO. FAILURE TO DO SO COULD RESULT IN SERIOUS PERSONAL INJURY, OR EVEN DEATH.



SAFETY MEASURES MUST BE PRACTICED AT ALL TIMES DURING THE ASSEMBLY OF THIS PRODUCT. USE PROPER SAFETY GEAR AND TOOLS FOR THE ASSEMBLY PROCEDURE TO PREVENT PERSONAL INJURY.



PRIOR TO THE INSTALLATION OF THIS PRODUCT, THE ASSEMBLY INSTRUCTIONS SHOULD BE READ AND COMPLETELY UNDERSTOOD. THE ASSEMBLY INSTRUCTIONS MUST BE READ TO PREVENT PERSONAL INJURY AND PROPERTY DAMAGE. KEEP THESE ASSEMBLY INSTRUCTIONS IN AN EASILY ACCESSIBLE LOCATION FOR FUTURE REFERENCE.



Indicates that the power plug is to be disconnected from the power outlet.



Contact Premier Mounts with any questions.



Safety precautions must be taken at all times.



Warning and Caution statements.



Do not install on a structure that is prone to vibration, movement or chance of impact. Failure to do so could result in damage to the plasma display and/or damage to the mounting surface.



Do not install near heater, fireplace, direct sunlight, air conditioning or any other source of direct heat energy. Failure to do so may result in damage to the display and could increase the risk of fire.



At least two qualified people should perform the assembly procedure. Injury and/or damage can result from dropping or mishandling the display.



**DO NOT ATTACH EQUIPMENT WEIGHING MORE THAN 75LBS. ABOVE THE 60" MARKED LINE ON THE SUPPORT POLES. DOING SO MAY CAUSE THE NESTING CART TO TIP OVER, RESULTING IN SEVERE PROPERTY DAMAGE AND/OR PERSONAL INJURY.**

**WARNING**



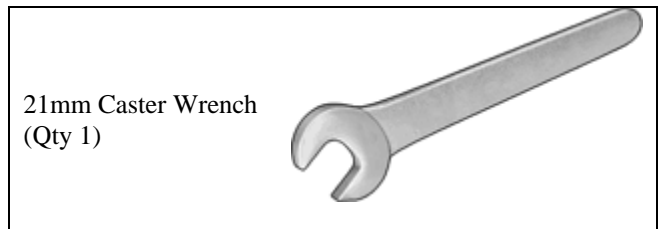
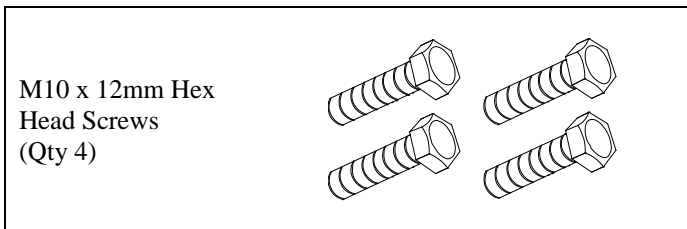
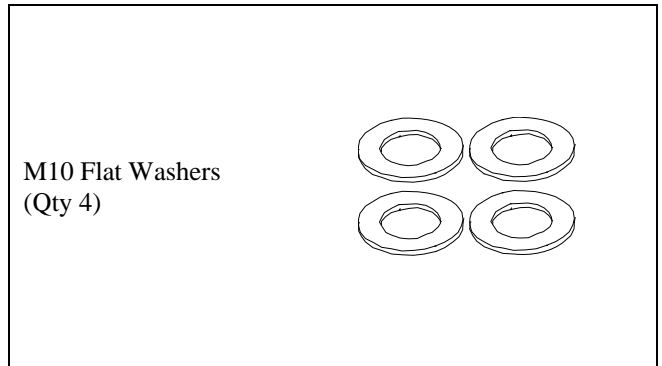
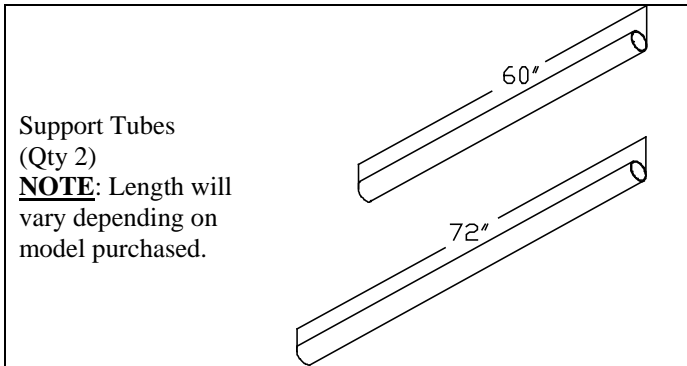
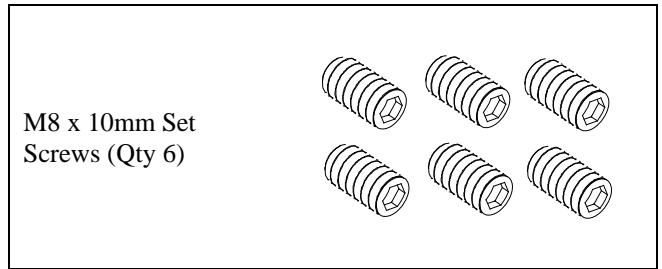
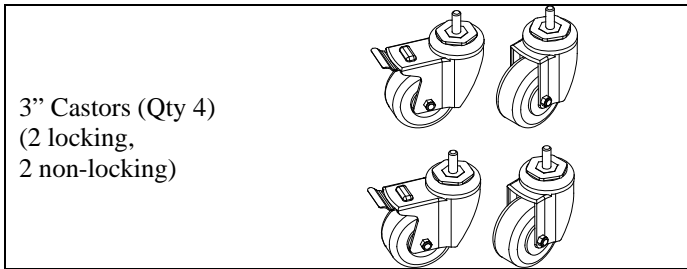
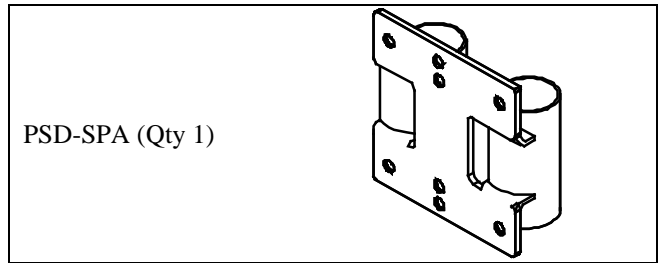
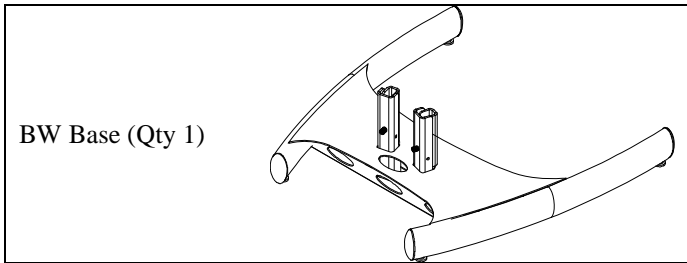
**Parts List**

Congratulations on purchasing the PSD-BW/PSD-BWL Nesting Cart. The PSD-BW/PSD-BWL Nesting Cart is shipped with all proper installation hardware and components. Please verify that none of these parts are missing and/or damaged before assembly. If there are parts missing and/or damaged, please stop the assembly and contact Premier Mounts (800) 368-7000.



**NOTE**

Some mounting configurations will allow for a “landscape” orientation. In these situations, when moving the PSD-BW/L Nesting Cart through a doorway, the orientation of the display must be returned to the “portrait” orientation. If not, maneuvering through the doorway could prove costly by damaging the display.



**Installation Tools**

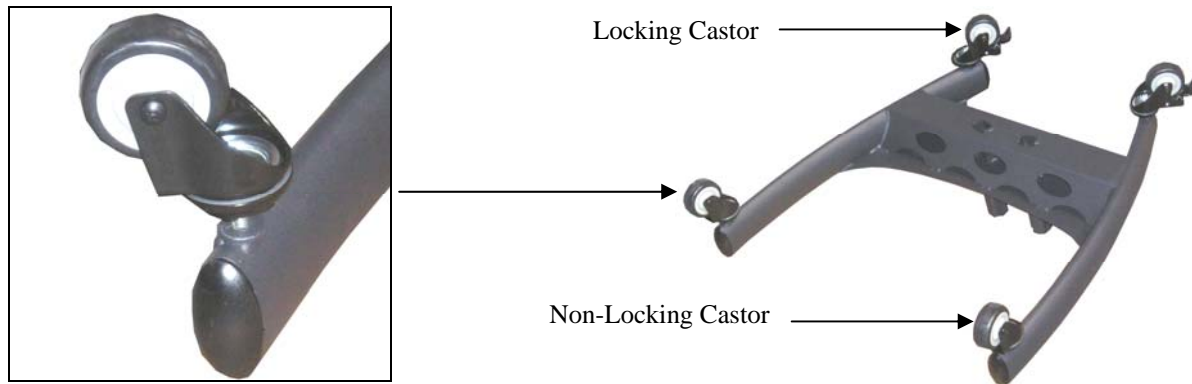
Socket head wrench  
M5 Allen Wrench (Supplied)

Soft Material/ Blanket  
5/32” Allen Wrench (Supplied)



### BW Base Castor Installation (Figure 1)

Unpack the PSD-BW/L Nesting Cart and review any WARNING statements that apply to the installation. Select the desired location for the PSD-BW/L Nesting Cart.



**Figure 1**

1. Place the BW/L on a flat surface.



**NOTE** Make sure the locking castors (Qty 2) are attached to the rear legs of the Nesting Cart.

2. Insert each castor into the threaded mounting point located on the underside of the BW/L base (Figure 1). Turn each castor clockwise to tighten. Make sure all four castors are tightened all the way until flush with the base. Tighten using the 21mm castor wrench (supplied).

### Support Tube Installation (Figure 2)

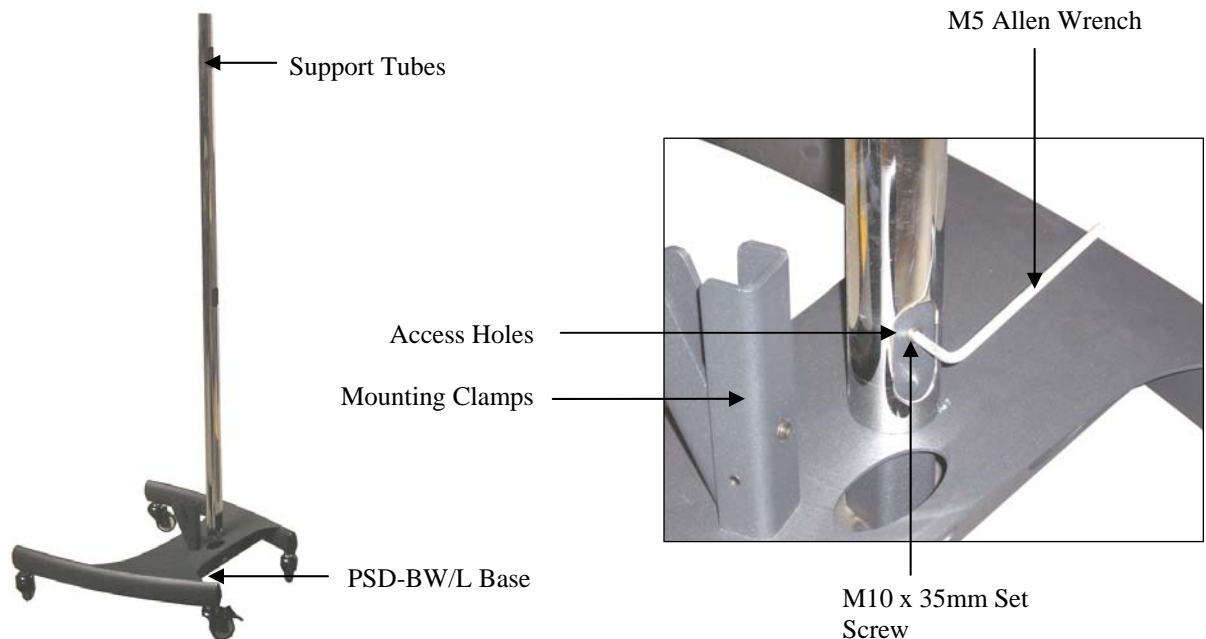
1. Place the BW/L on a flat surface.
2. Take the support tubes and slide them over the mounting clamps that are located on the Nesting Cart.



**NOTE**

To perform the following step, the access holes that are located at the end of the support tubes must line up with the set screw holes on the mounting clamps. The upper access holes will be used for cable management once the display has been mounted to the support tubes.

3. Insert the set screws into each hole and tighten using the supplied M5 Allen Wrench (Figure 2).



**Figure 2**



### PSD-SPA Installation (Figure 3)

**NOTE** Use of the PSD-SPA will depend on the mount that is used. All PSM/CTM Series mounts require using the PSD-SPA. The Revolution Series, USA and UFA Mounts, however, do not require the use of the PSD-SPA.

1. Slide the PSD-SPA over and down the support tubes.
2. Once the desired height has been determined, tighten the four (4) M8 x 10mm set screws, using the 5/32" Allen wrench (supplied) to secure the PSD-SPA (Figure 3).

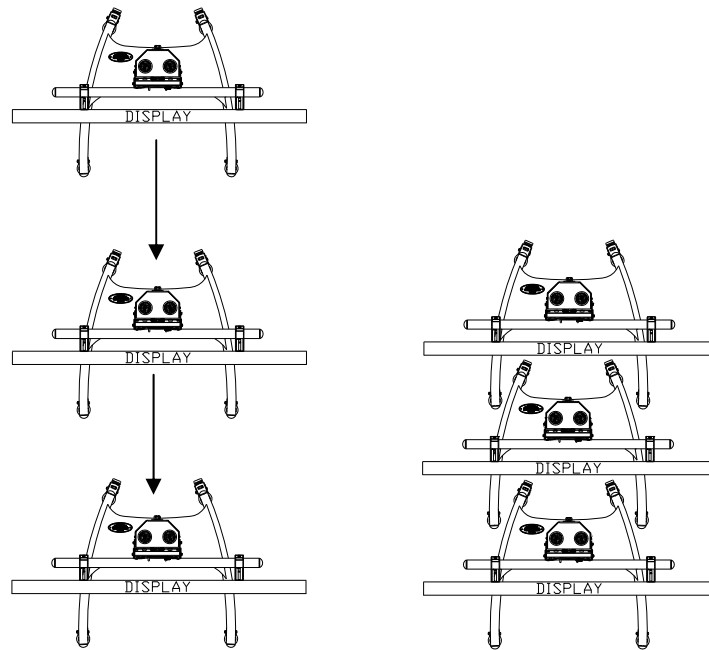


**Figure 3**

### PSD-BW/L Nesting Cart Storage (Figure 4)

The PSD-BW/L is designed to maximize storage space. When storing multiple carts, slide the Nesting Carts together as close as possible.

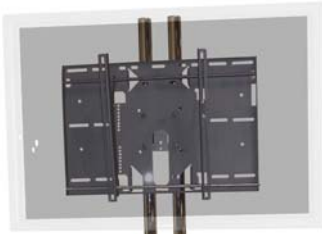
**NOTE** Please adhere to any WARNING statements that will apply to the different mounting configurations the PSD-BW/L Nesting Cart will be used with.



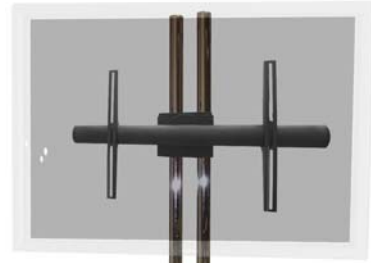
**Figure 4**



## Optional Mounting Configurations



**CTM-Series**



**Revolution Series**

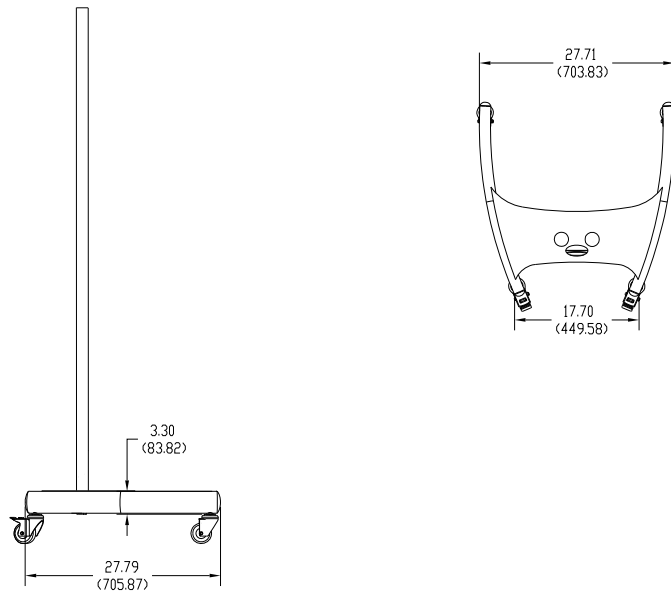
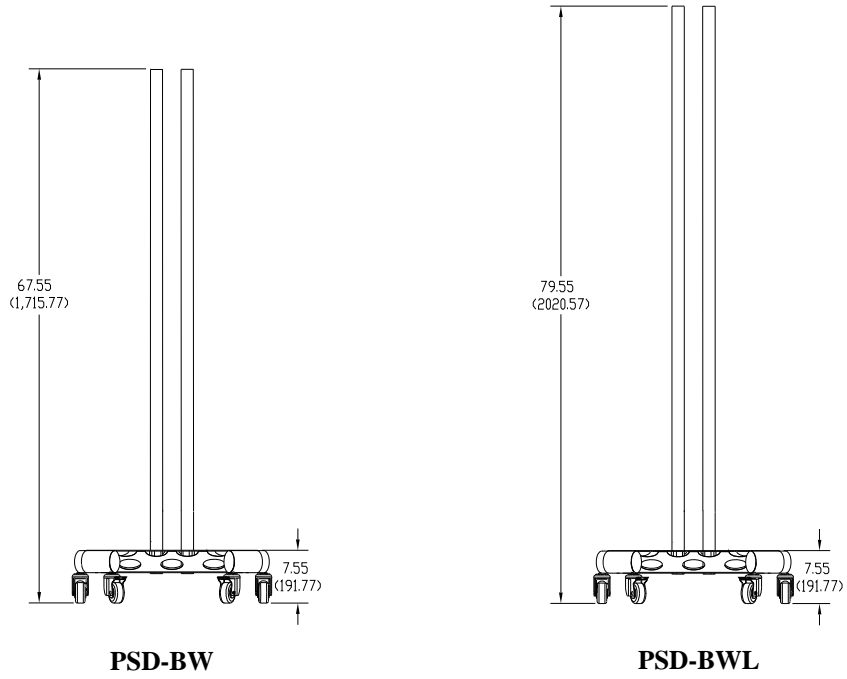


**USA/UFA Series**



### Technical Specifications

All measurements are in inches (mm).



### Notes