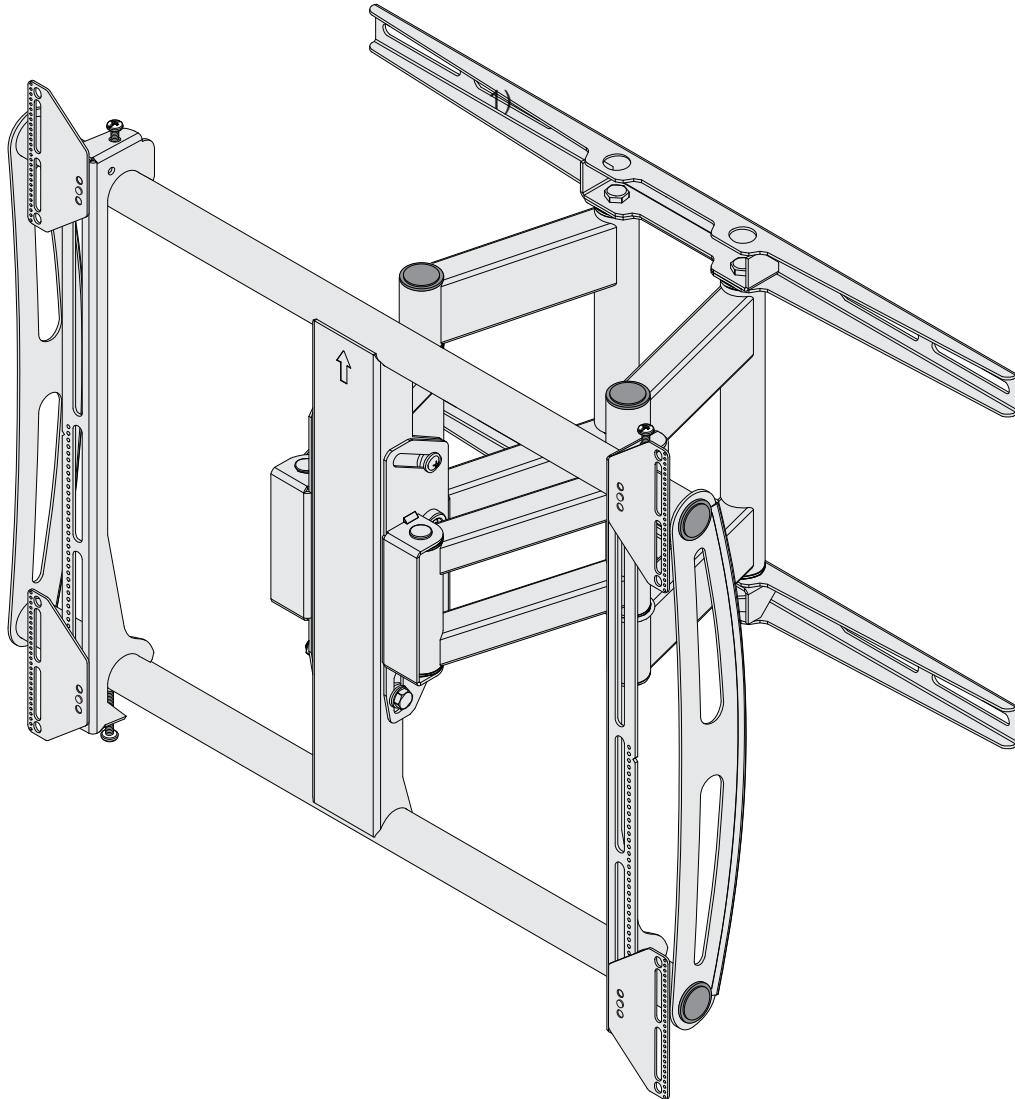


## INSTALLATION INSTRUCTIONS



### Universal Swingout Arm for 37" to 63" Flat Panels

Model: AM175

---

#### NORTH AMERICA

3130 East Miraloma Avenue  
Anaheim, CA 92806 USA  
USA and Canada  
Phone: 1.800.368.9700  
Fax: 1.800.832.4888  
Other Locations  
Phone: (001).714.632.7100  
Fax: (001).714.632.1044

#### EUROPE

Swallow House,  
Shilton Industrial Estate,  
Shilton, Coventry, England CV79JY  
Phone: +44 (0) 2476 614700  
Fax: +44 (0) 2476 614710



## Contents

- Installation Tools..... 3
- Parts List..... 3
- Features..... 5
- Installing the Swingout Arm..... 6
  - Determining the Mounting Surface..... 6
  - Wood Stud Installation..... 6
  - Concrete Installation..... 8
- Mounting Hardware Selection..... 10
  - Selecting the Mounting Hardware..... 10
  - Griplate™ Washer Installation..... 11
  - Nylon Spacer Installation..... 11
- Mounting Bracket Installation..... 12
  - Universal Bracket Installation..... 12
  - Adapter Plate Installation (Optional)..... 12
  - Attaching the Flat Panel to the Swingout Arm..... 13
- Mounting Bracket Adjustments..... 14
  - Locking Screw Operation..... 14
  - Leveling Screw Adjustment..... 14
  - Tilting Your Flat Panel..... 14
- Technical Specifications..... 15
- Warranty..... 16
- Disclaimer..... 16

## Weight Capacity

Maximum Flat Panel Weight: **175 lbs.**

THE WALL STRUCTURE MUST BE CAPABLE OF SUPPORTING AT LEAST FIVE TIMES THE WEIGHT OF THE FLAT PANEL. IF NOT, THE WALL STRUCTURE MUST BE REINFORCED.

## Warning Statements



PRIOR TO THE INSTALLATION OF THIS PRODUCT, THE INSTALLATION INSTRUCTIONS MUST BE READ AND COMPLETELY UNDERSTOOD. KEEP THESE INSTALLATION INSTRUCTIONS IN AN EASILY ACCESSIBLE LOCATION FOR FUTURE REFERENCE.



PROPER INSTALLATION PROCEDURE BY A QUALIFIED SERVICE TECHNICIAN MUST BE FOLLOWED, AS OUTLINED IN THESE INSTALLATION INSTRUCTIONS. FAILURE TO DO SO COULD RESULT IN PROPERTY DAMAGE, SERIOUS PERSONAL INJURY, OR EVEN DEATH.



SAFETY MEASURES MUST BE PRACTICED AT ALL TIMES DURING THE ASSEMBLY OF THIS PRODUCT. USE PROPER SAFETY EQUIPMENT AND TOOLS FOR THE ASSEMBLY PROCEDURE TO PREVENT PERSONAL INJURY.



PREMIER MOUNTS DOES NOT WARRANT AGAINST DAMAGE CAUSED BY THE USE OF ANY PREMIER MOUNTS PRODUCT FOR PURPOSES OTHER THAN THOSE FOR WHICH IT WAS DESIGNED OR DAMAGE CAUSED BY UNAUTHORIZED ATTACHMENTS OR MODIFICATIONS, AND IS NOT RESPONSIBLE FOR ANY DAMAGES, CLAIMS, DEMANDS, SUITS, ACTIONS OR CAUSES OF ACTION OF WHATEVER KIND RESULTING FROM, ARISING OUT OF OR IN ANY MANNER RELATING TO ANY SUCH USE, ATTACHMENTS OR MODIFICATIONS.



At least two qualified people should perform the assembly procedure. Personal injury and/or property damage can result from dropping or mishandling the projector.



If mounting to wall studs or ceiling joists, make sure that the mounting screws are anchored into the center of the wall studs or ceiling joists. Use of an edge-to-edge stud finder is recommended.



Be aware of the mounting environment. If drilling and/or cutting into the mounting surface, always make sure that there are no electrical wires in wall. Cutting or drilling into an electrical line may cause serious personal injury.



Make sure there are no water or natural gas lines inside the wall where the mount is to be located. Cutting or drilling into a water or gas line may cause severe property damage or personal injury.



This product is intended for indoor use only. Use of this product outdoors could lead to product failure and/or serious personal injury.



Do not install near sources of high heat. Do not install on a structure that is prone to vibration, movement or chance of impact.

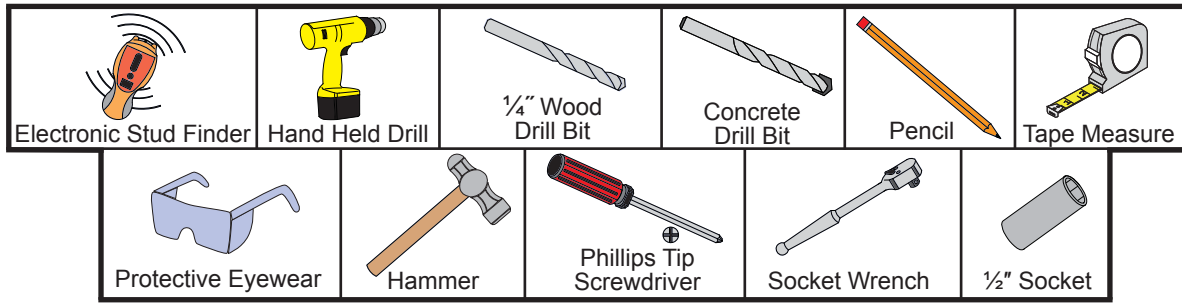


Contact Premier Mounts with any questions:  
(800) 368-9700  
techsupport@mounts.com



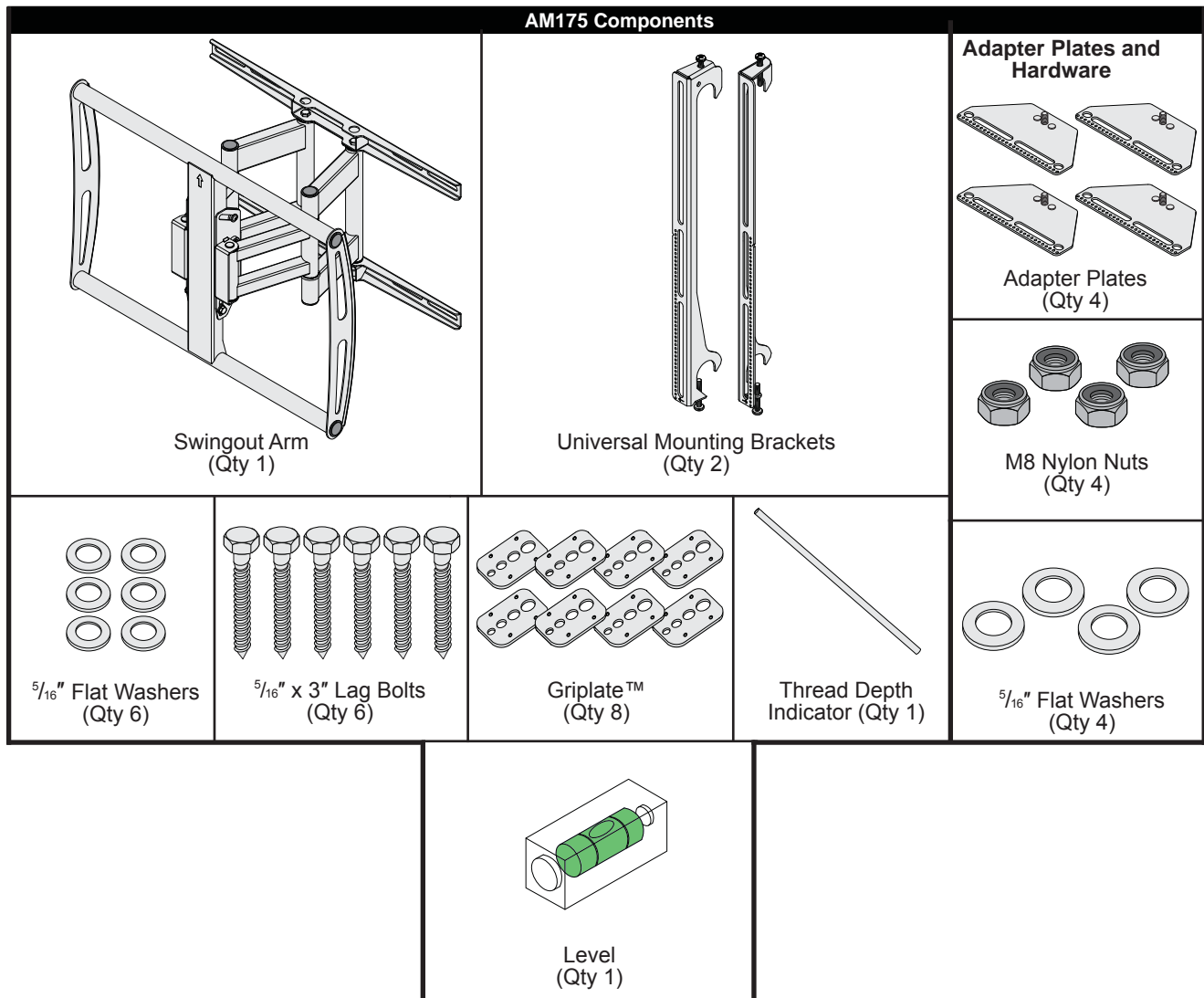
## Installation Tools

The following tools may be required depending upon your particular installation. They are not included.



## Parts List

Make sure your Premier Mounts product has the following hardware and components before beginning installation. If there are parts missing and/or damaged, stop the installation and call Premier Mounts at (800) 368-9700.





# Parts List (cont'd)

## Mounting Hardware

M4 x 16mm Screw  
(Qty 8)

M4 x 25mm Screw  
(Qty 4)

M5 x 12mm Screw  
(Qty 6)

M5 x 16mm Screw  
(Qty 6)

M5 x 20mm Screw  
(Qty 6)

M5 x 25mm Screw  
(Qty 4)

M5 x 50mm Screw  
(Qty 4)

1/4" Nylon Spacer (Large) (Qty 6)

1/2" Nylon Spacer (Large) (Qty 12)

1" Nylon Spacer (Qty 6)

1/4" Nylon Spacer (Small) (Qty 6)

9/16" Nylon Spacer (Qty 6)

Nylon Sleeve (Qty 4)

5/16" Flat Washer (Metal) (Qty 6)

M6 x 12mm Screw  
(Qty 8)

M6 x 20mm Screw  
(Qty 6)

M6 x 30mm Screw  
(Qty 6)

M8 x 20mm Screw  
(Qty 6)

M8 x 25mm Screw  
(Qty 6)

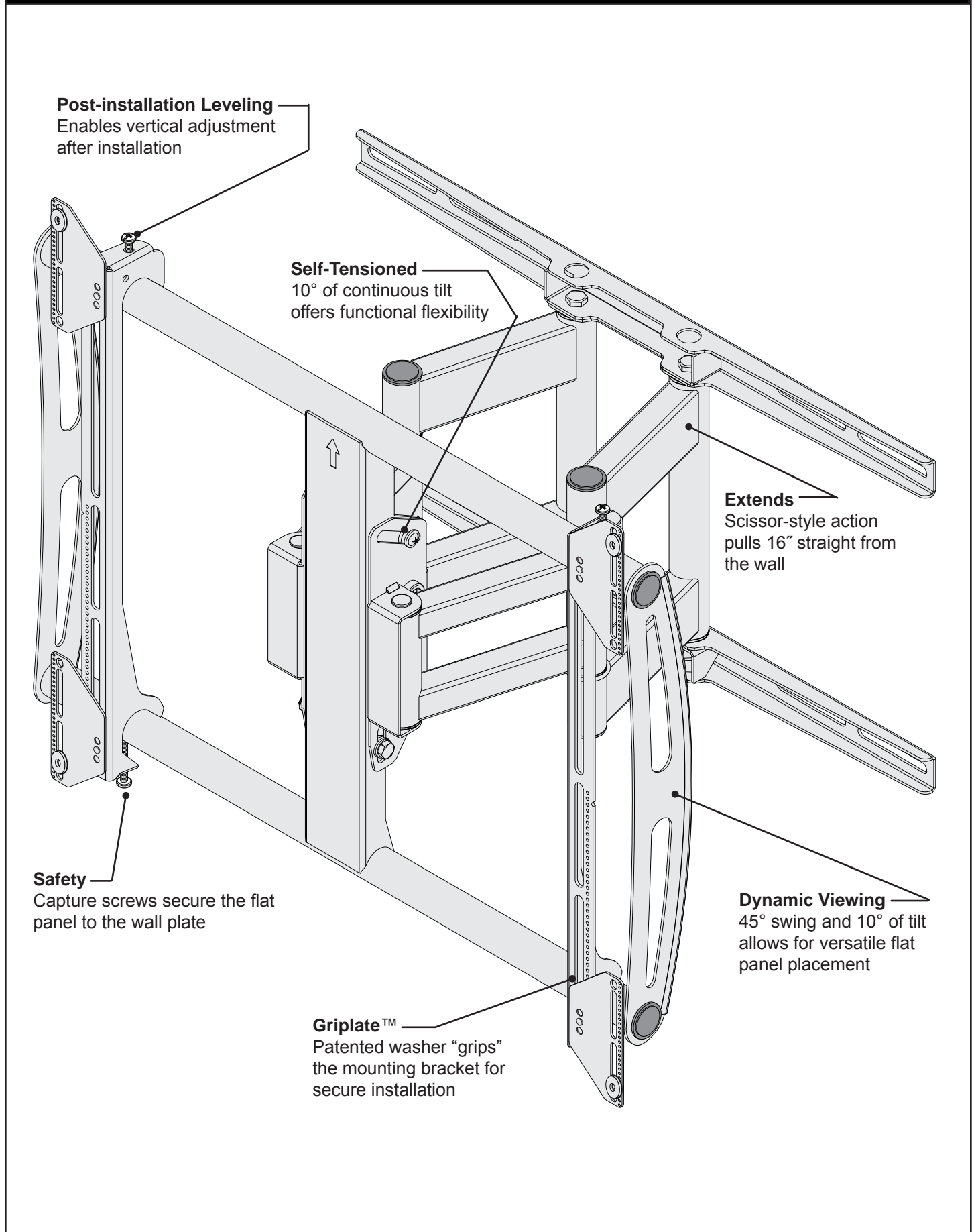
M8 x 30mm Screw  
(Qty 6)

M8 x 35mm Screw  
(Qty 4)

M8 x 70mm Screw  
(Qty 4)



## Features



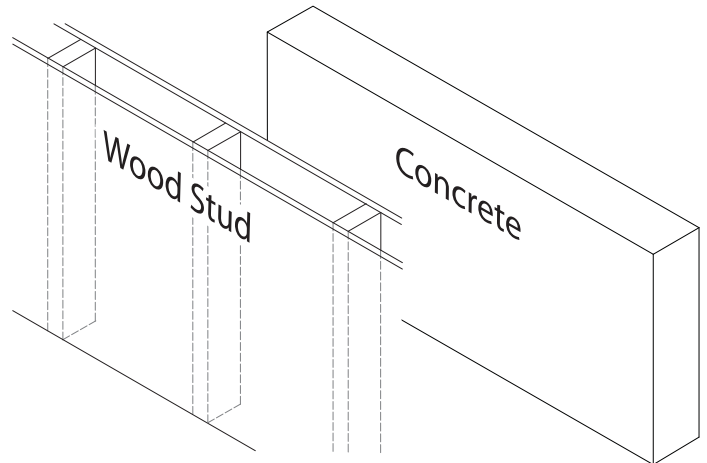


## Installing the Swingout Arm

### Determining the Mounting Surface

If you will be installing your AM175 mount to wood studs, proceed to the “**Wood Stud Installation**” section.

If you will be installing your AM175 mount to a concrete surface, proceed to the “**Concrete Installation**” section.



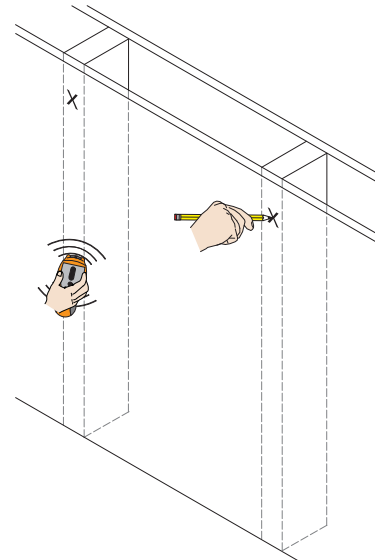
### Wood Stud Installation

#### Step 1



You must secure the wall plate to two (2) wall studs with a minimum of four (4) lag bolts (2 lag bolts for each stud found).

- 1 Use a stud finder to determine the exact center of wall studs in the vicinity of the wall plate.
- 2 Use a pencil to mark the exact center of each of the wall studs.

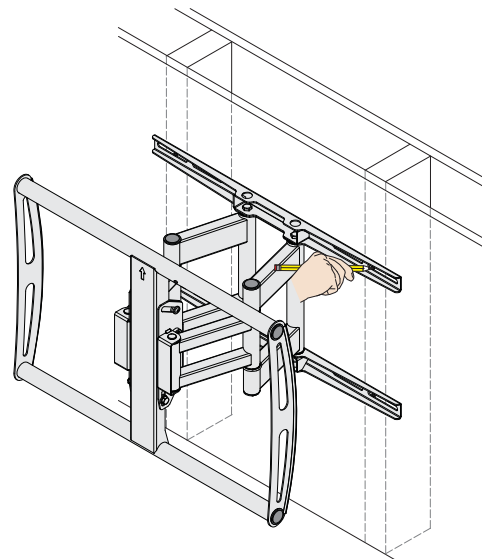


#### Step 2



Two people are recommended for this step; one person to level the wall plate and another person to mark the wall stud location.

- 1 Place the wall plate against the wall in the desired viewing location.
- 2 Adjust the wall plate to align the mount slots in the wall plate with the center of the wall studs.
- 3 Level the wall plate.
- 4 Use a pencil to mark the upper right mounting location along the center of the wall stud.






## Installing the Swingout Arm (cont'd)

### Step 3

Drill a "pilot hole" in the center of the upper right mark using a  $\frac{1}{4}$ " drill bit and power drill.

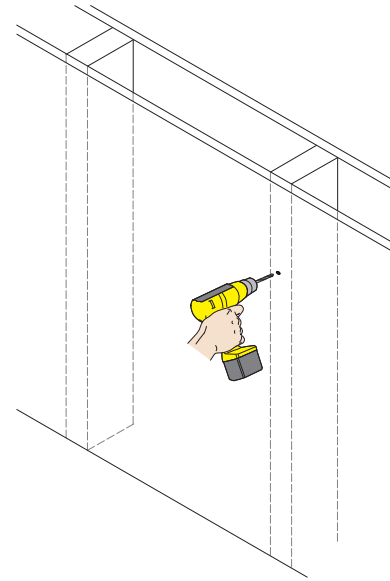
 Only use a  $\frac{1}{4}$ " drill bit when drilling the pilot holes.

### Pro Tip




#### Pilot Holes

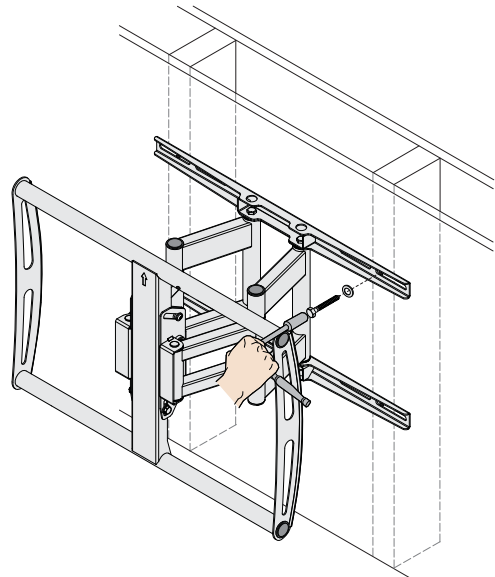
When a screw is driven into a material, such as wood, it can act as a wedge, generating outward pressure which can cause many materials to split. Drilling a small pilot hole in the material into which the screw will be driven causes less 'wedging' to take place, thereby reducing the likelihood of the material being split. It also reduces the possibility of the screw head from being sheared off by torque



### Step 4

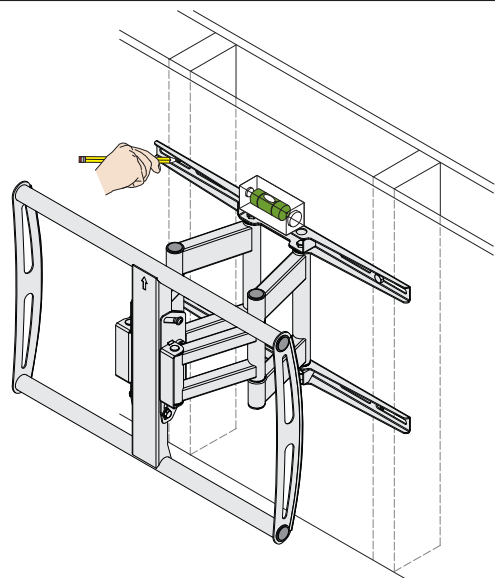
- 1 Place the wall plate against the wall and align it with the pilot hole.
- 2 Insert one (1)  $\frac{5}{16}$ " x 3" lag bolt and one (1)  $\frac{5}{16}$ " washer into the upper right mounting hole and tighten using a socket wrench and  $\frac{1}{2}$ " socket.

 Do not overtighten the  $\frac{5}{16}$ " x 3" lag bolt.



### Step 5

- 1 Level the wall plate.
- 2 Use a pencil to mark the remaining three (3) mounting locations along the center of each wall stud.





## Installing the Swingout Arm (cont'd)

### Step 6

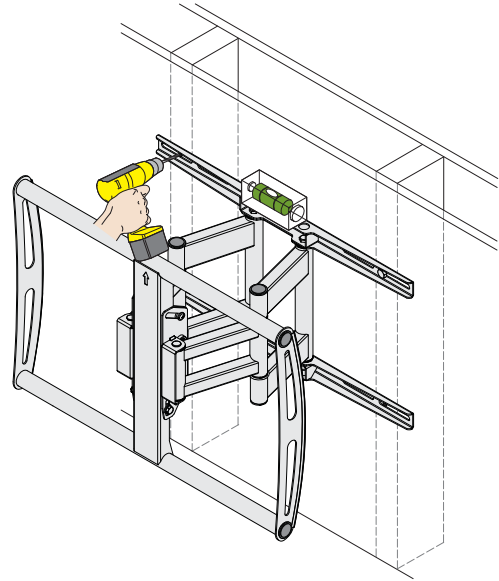


Two people are recommended for this step; one person to level the wall plate and another person to drill the pilot holes.

Drill a "pilot hole" in the center of each of the marks with a power drill and a 1/4" drill bit.



Only use 1/4" drill bit when drilling the pilot holes.



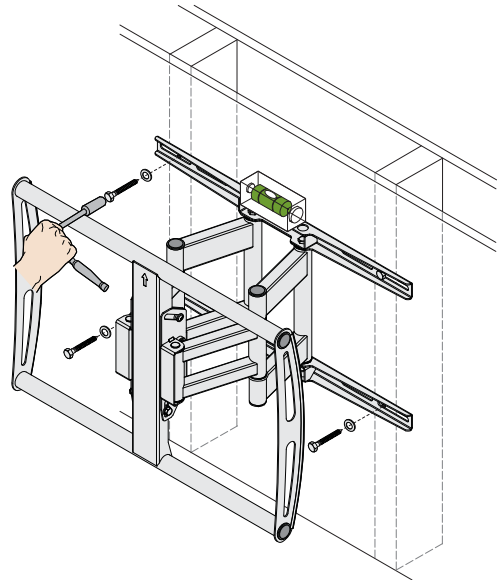
### Step 7

- 1 Insert one (1) 5/16" x 3" lag bolt and one (1) 5/16" washer into each pilot hole
- 2 Tighten all lag bolts using a socket wrench and 1/2" socket.



Do not overtighten the lag bolts when attaching the mount to the wall. Improper installation may result in personal injury or property damage.

Proceed to the "Mounting Hardware Selection" section.

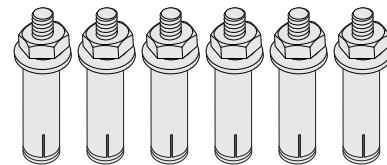


## Concrete Installation



Concrete wedge anchors (commercially available) must be used for concrete installation.

You will need a concrete drill bit, which is available at your closest hardware store.



Concrete Wedge Anchors (Commercially Available)



Example of Concrete Drill Bit (Not Included)



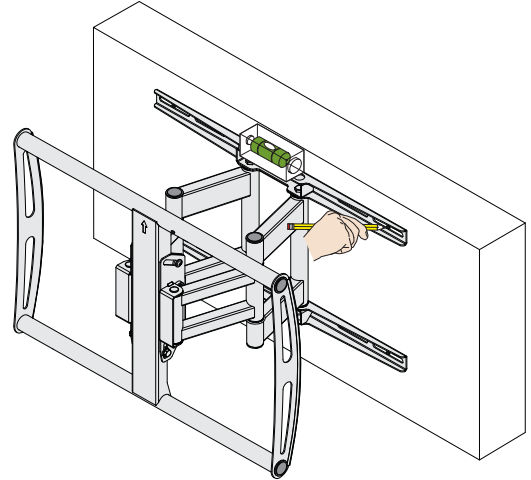


## Installing the Swingout Arm (cont'd)

### Step 1

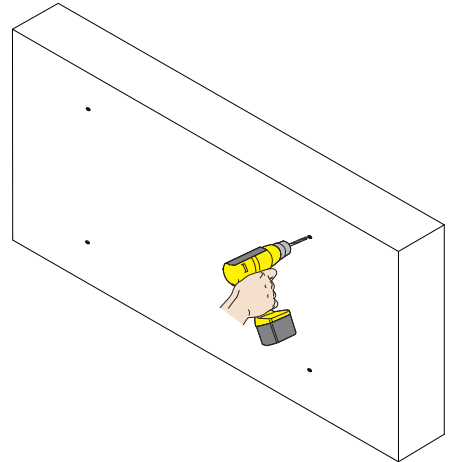
**!** Two people are recommended for this step; one person to level the wall plate and another person to mark the mounting locations.

- 1 Place the wall plate against the wall in the desired viewing location.
- 2 Level the wall plate.
- 3 Use a pencil and mark 2 upper and 2 lower mounting locations where you will be drilling holes for the concrete wedge anchors. Each horizontal location cannot be closer than 12" apart.
- 4 Set the wall plate to one side in a safe location.



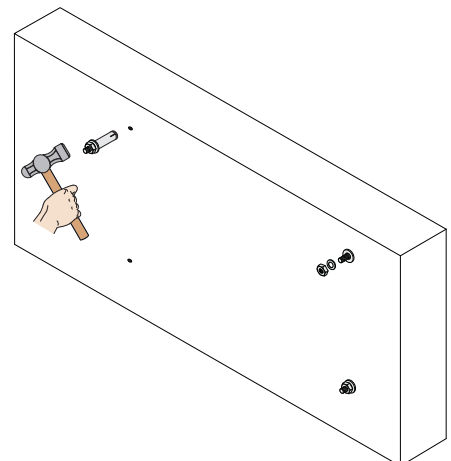
### Step 2

Use a power drill and concrete drill bit to drill a hole at each of the marks.



### Step 3

- 1 Insert a concrete wedge anchor into each hole.  
If necessary, lightly tap each concrete wedge anchor into place with a hammer.
- 2 Remove the nuts and washers from all four (4) concrete wedge anchors.
- 3 Replace the washers which you removed from the concrete wedge anchors with the washers shown in the Parts List on Page 3.






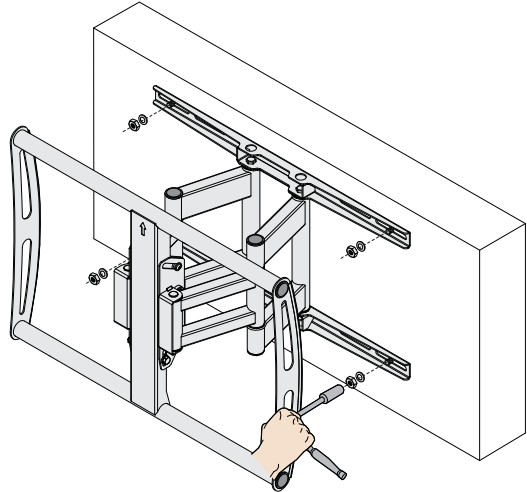
## Installing the Swingout Arm (cont'd)

### Step 4

- ① Place the wall plate against the wall over the threaded shafts of the concrete wedge anchors.
- ② Attach the nuts and washers to each of the concrete wedge anchors and tighten using a socket wrench and an socket.

 Do not overtighten the wedge anchor nuts.

Proceed to the “**Mounting Hardware Selection**” section.



## Mounting Hardware Selection

### Selecting the Mounting Hardware

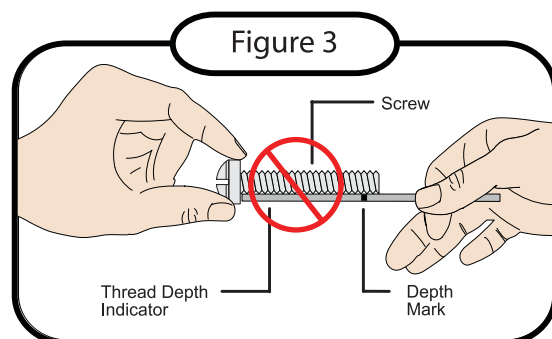
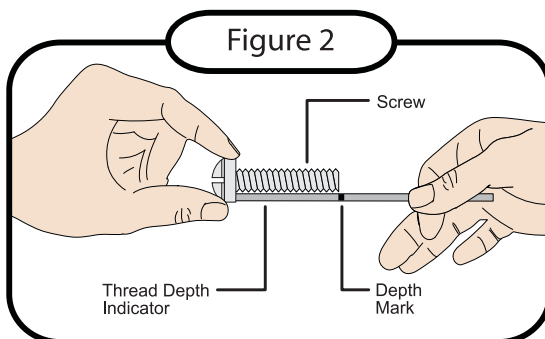
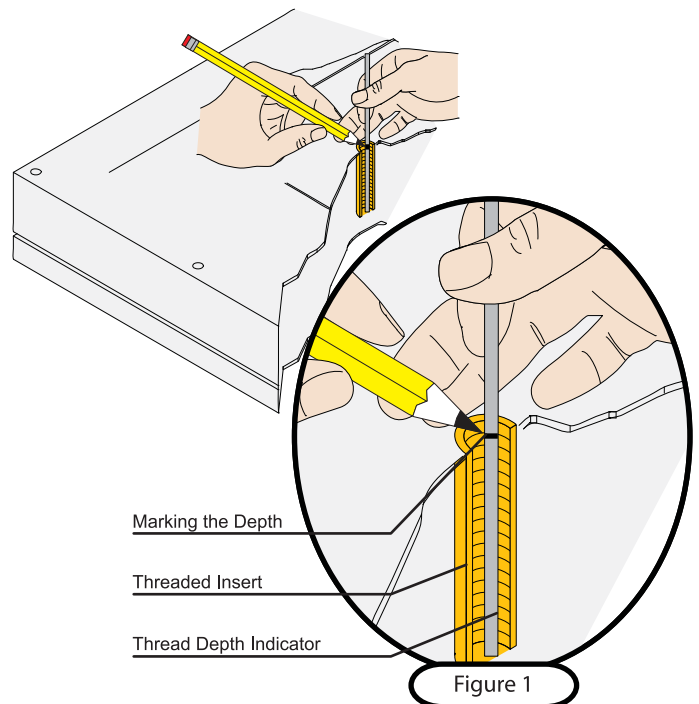
- ① Insert the Thread Depth Indicator into the thread inserts found on the back of your flat panel.
- ② Use a pencil to mark the depth of the thread insert on the Thread Depth Indicator, as shown in Figure 1.
- ③ Insert the Thread Depth Indicator into the remaining thread inserts to compare and verify their depth.
- ④ Locate the correct diameter screw for the thread insert.

If the screw you selected is longer than the mark on the Thread Depth Indicator, as shown in Figure 2 and Figure 3, do not use this screw. The screw length must not bypass the mark.

- ⑤ Test each size of the screws provided.

The correct screws should thread easily into the mounting point and not pull out when tension is applied.

Proceed to the “**Griplate™ Washer Installation**” section.









## Mounting Hardware Selection (cont'd)

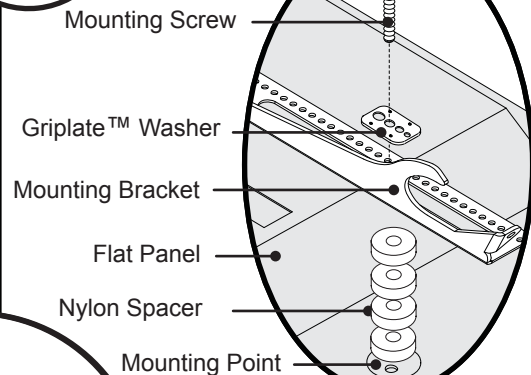
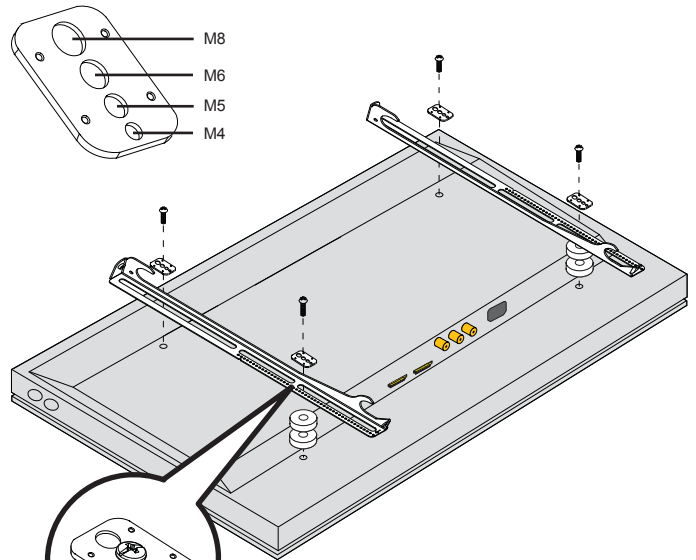
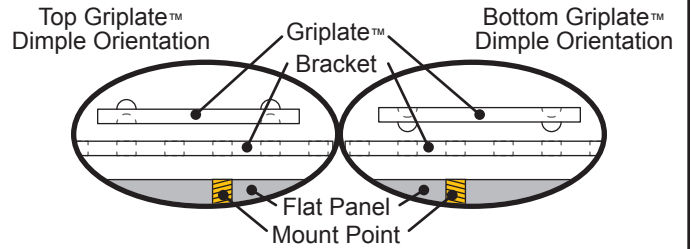
### Griplate™ Washer Installation

Premier Mounts' Griplate™ washers are designed to accommodate the various M4, M5, M6 and M8 hole sizes required by flat panels.

-  Do not place excessive pressure on the back of the flat panel, as this may damage your flat panel.
-  The Griplate™ washer must be installed between the head of the mounting screw and the mounting bracket as shown.
-  The dimples on the Griplate™ washers must be oriented as follows:
  - The Griplate™ washers installed at the top of the flat panel must have the points of the dimples facing away from the flat panel.
  - The Griplate™ washers installed at the bottom of the flat panel must have the points of the dimples facing towards the flat panel.
-  Does your flat panel have:
  - Recessed mount points?
  - Uneven mount points?
  - A curved back?
  - Any obstruction near the mount point?


If **Yes**, you must install nylon spacers. Proceed to the “**Nylon Spacer Installation**” section.

If **No**, skip to the “**Mounting Bracket Installation**” section.



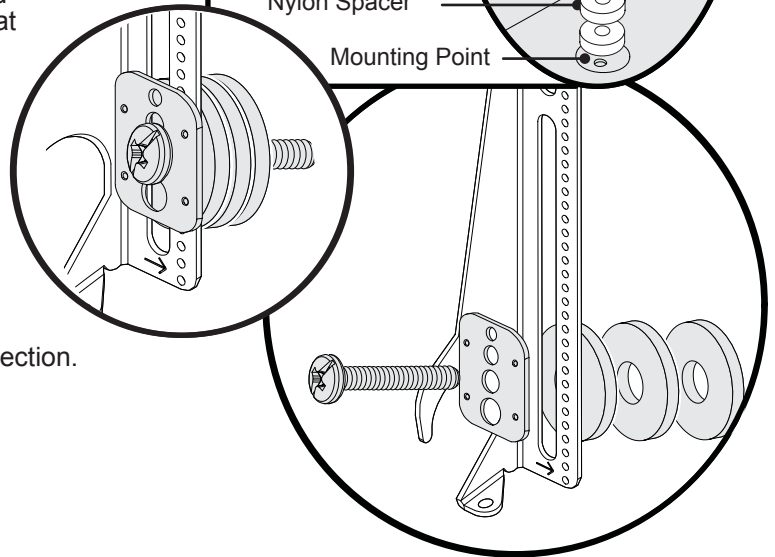
### Nylon Spacer Installation

Premier Mounts' nylon spacers allow you to attach the mounting bracket to flat panels which have recessed or uneven mount points. Each nylon spacer will add distance between the mounting bracket and your flat panel.

-  The nylon spacers must only be installed between the mounting bracket and your flat panel.

The nylon spacers will fit M4, M5, M6 and M8 screw sizes.

Proceed to the “**Mounting Bracket Installation**” section.





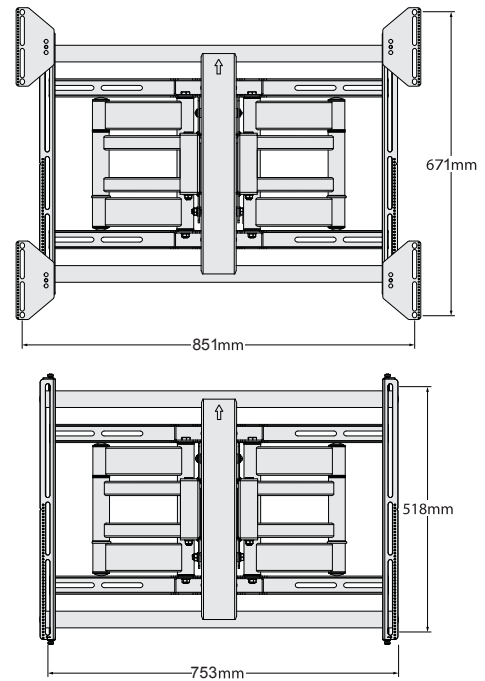
## Mounting Bracket Installation

**?** Does your flat panel have mounting points greater than 734mm wide x 518mm high?

If **No**, proceed to the “**Universal Bracket Installation**” section.

If **Yes**, skip to the “**Adapter Plate Installation (Optional)**” section.

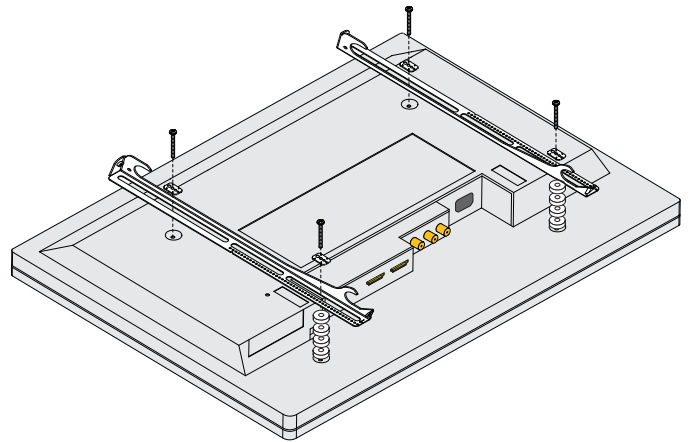
The AM175 Adapter Plates allow the AM175 mount to accommodate larger flat panel mount patterns. Refer to your flat panel’s User’s Guide for information regarding mounting point distances and patterns.



## Universal Bracket Installation

- 1 Place the flat panel on a soft, flat surface, face-down.
- 2 Place Nylon Spacers over mounting points, as determined in the “**Nylon Spacer Installation**” section.
- 3 Place the Universal Brackets on the back of the flat panel, with the Universal Brackets resting directly over the flat panel mounting points.
- 4 Place a Griplate™ over each mount point and secure them using the mounting hardware determined in the “**Selecting the Mounting Hardware**” section.

Proceed to the “**Attaching the Flat Panel to the Swingout Arm**” section.

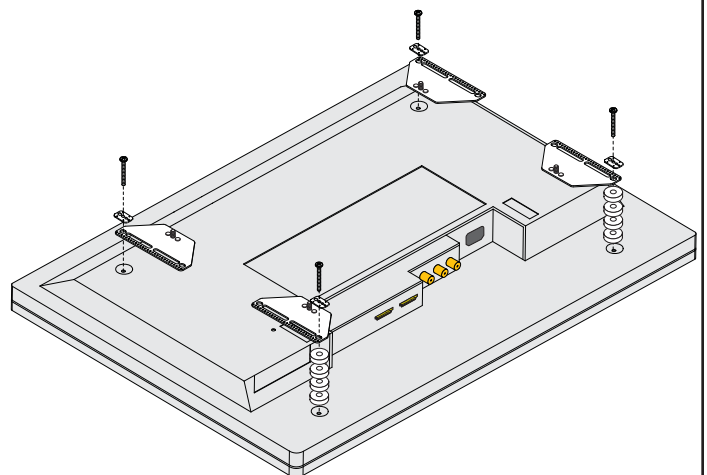


## Adapter Plate Installation (Optional)

### Step 1

Attach the Adapter Plates to the flat panel using Griplates™ and the mounting hardware determined in the “**Selecting the Mounting Hardware**” and “**Nylon Spacer Installation**” sections.

Do not tighten the mounting hardware at this time.







## Mounting Bracket Installation (cont'd)


### Step 2

- ❶ Place the Universal Brackets on the back of the flat panel, with the threaded mount studs on the Adapter Plates passing through the mount slots on the Universal Brackets.
- ❷ Place one (1)  $\frac{5}{16}$ " washer and one (1) M8 nylon nut on each threaded mount stud.
- ❸ Use a socket wrench and  $\frac{1}{2}$ " socket to tighten all M8 nylon nuts.

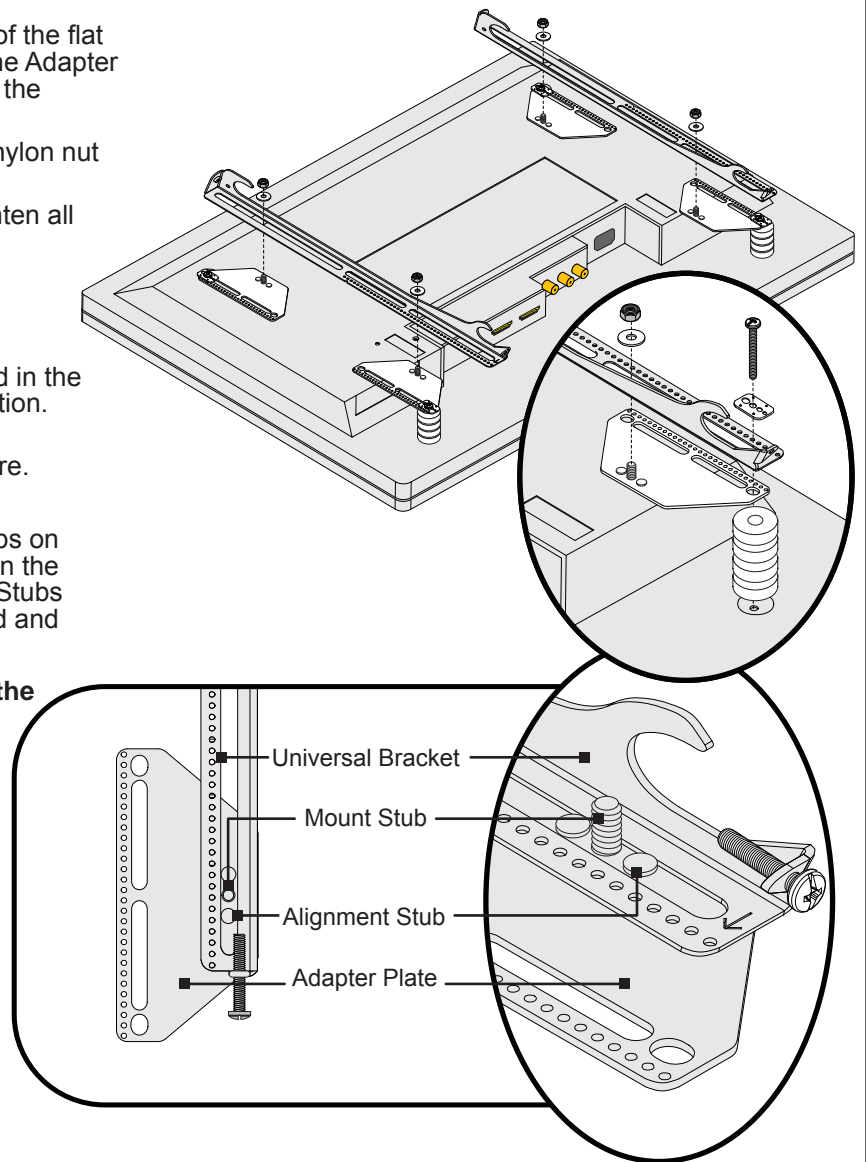
 Do not overtighten the M8 nylon nut.

- ❹ Tighten the mounting hardware determined in the “**Selecting the Mounting Hardware**” section.


 Do not overtighten the mounting hardware.


 Make certain that the two Alignment Stubs on each Adapter Plate are properly seated in the Universal Bracket slots. The Alignment Stubs help keep the Universal Brackets aligned and level during installation.

Proceed to the “**Attaching the Flat Panel to the Swingout Arm**” section.



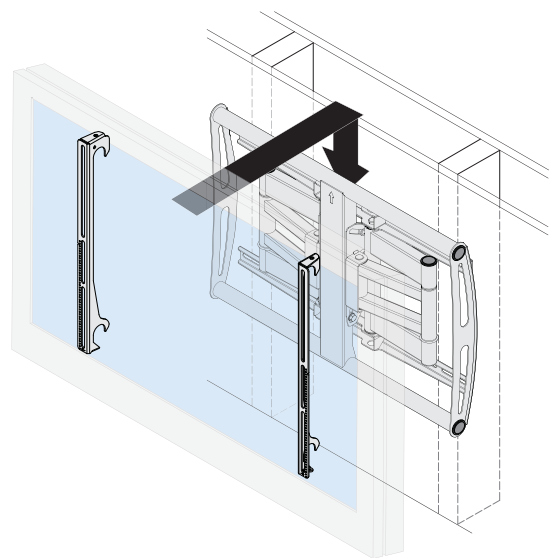
### Attaching the Flat Panel to the Swingout Arm

 This section requires two people.

 Do not release your flat panel until you are certain that top and bottom hooks of both mounting brackets are securely seated on the upper and lower mounting rails of the wall panel.

- ❶ Raise the flat panel past the top and bottom mounting rails on the wall panel.
- ❷ Slide the flat panel down slowly, keeping it close to the wall.
- ❸ Engage the top and bottom mounting brackets to the rails of the wall plate.

Proceed to the “**Mounting Bracket Adjustments**” section.





## Mounting Bracket Adjustments

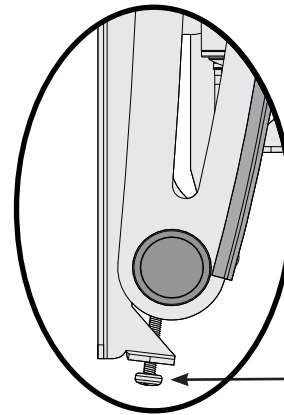
### Locking Screw Operation

- 1 Loosen both of the M6 x 30mm locking screws.



#### Caution!

It is possible to dislodge your flat panel while you level it. Use extreme caution until you tighten the M6 x 30mm locking screws.



M6 x 30mm  
Locking Screw  
(1 per Bracket)

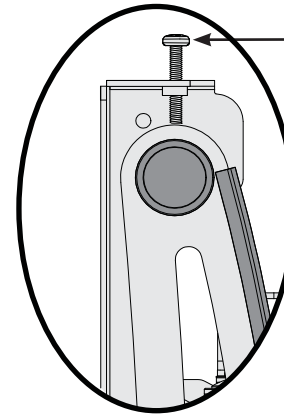
### Leveling Screw Adjustment

If your flat panel is not level, the leveling screws will allow you compensate for this by simply adjusting the top bracket screws with a screwdriver.

- 1 Adjust your flat panel by adjusting either or both M6 x 30mm leveling screws.
- 2 After the flat panel has been leveled, tighten both M6 x 30mm locking screws.



Do not overtighten the M6 x 30mm locking screws.



M6 x 30mm  
Leveling Screw  
(1 per Bracket)

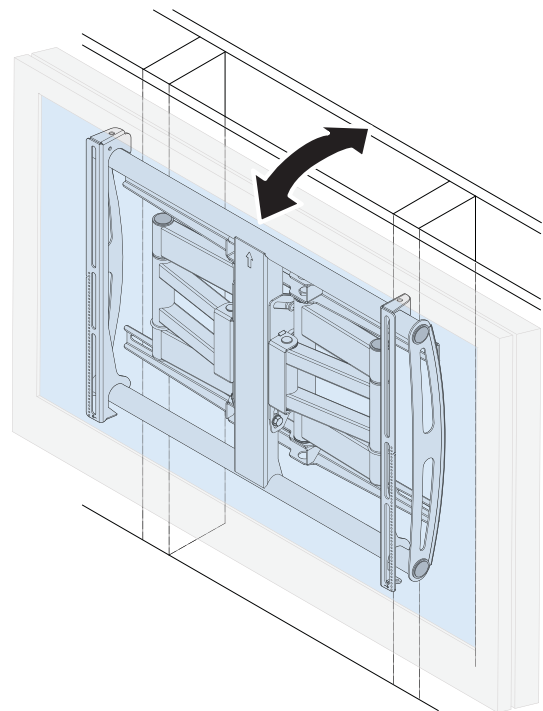
### Tilting Your Flat Panel

#### Adjusting the Tilt Angle

- 1 Place one hand at the center top edge of the flat panel.
- 2 Place the other hand on the center bottom edge of the flat panel.
- 3 Using the upper hand, gently pull the top of the flat panel towards you while the lower hand gently pushes the bottom of the flat panel away from you.

#### Adjusting the Flat Panel to the Original Position

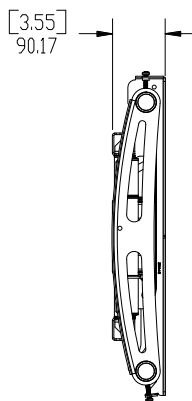
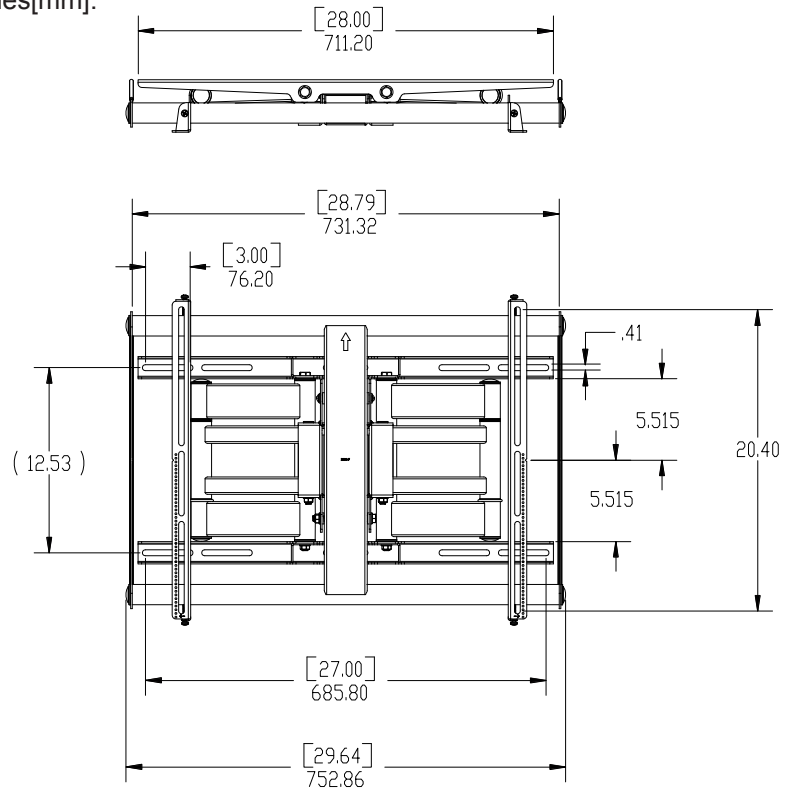
- 1 Place one hand at the center top edge of the flat panel.
- 2 Place the other hand on the center bottom edge of the flat panel.
- 3 Using the upper hand, gently push the top of the flat panel towards the wall while the lower hand gently pulls the bottom of the flat panel away from the wall.



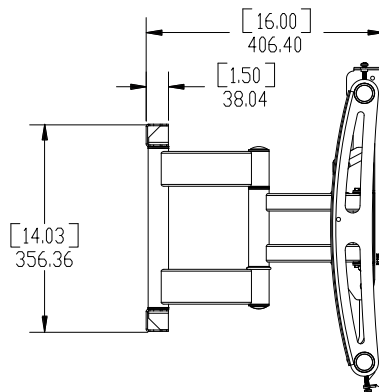


# Technical Specifications

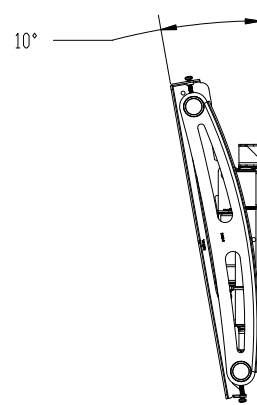
All measurements are in inches[mm].



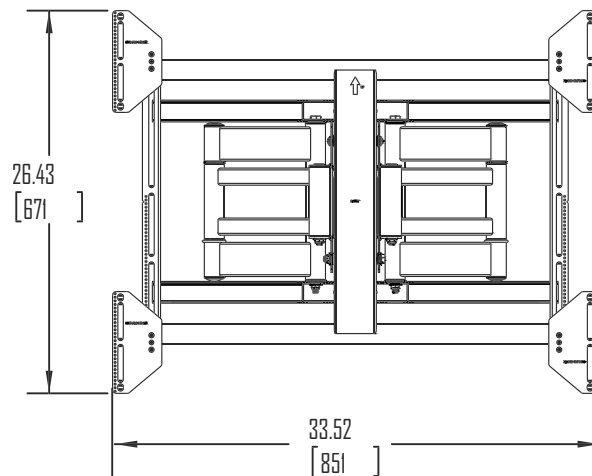
FLAT VIEW



EXTENDED FLAT VIEW



TILT VIEW



WITH ADAPTER PLATES



## Warranty

### PREMIER MOUNTS LIMITED LIFETIME WARRANTY

#### **What and Who is Covered by this Limited Warranty and for How Long**

Premier Mounts warrants this product to be free from defects in material and workmanship for the lifetime of the original owner of this product. The limited warranty is valid only for the original purchaser of the product.

#### **What Premier Mounts Will Do**

At the sole option of Premier Mounts, Premier Mounts will repair or replace any product or product part that is defective. If Premier Mounts chooses to replace a defective product or part, a replacement product or part will be shipped to you at no charge, but you must pay any labor costs.

#### **What is Not Covered; Limitations**

PREMIER MOUNTS DISCLAIMS ANY LIABILITY FOR DAMAGE TO MOUNTS, ADAPTERS, DISPLAYS, PROJECTORS, OTHER PROPERTY, OR PERSONAL INJURY RESULTING, IN WHOLE OR IN PART, FROM IMPROPER INSTALLATION, MODIFICATION, USE OR MISUSE OF ITS PRODUCTS.

PREMIER MOUNTS DISCLAIMS ALL OTHER WARRANTIES, EXPRESS OR IMPLIED, INCLUDING WARRANTIES OF MERCHANTABILITY AND FITNESS FOR A PARTICULAR PURPOSE. PREMIER MOUNTS IS NOT RESPONSIBLE FOR INCIDENTAL OR CONSEQUENTIAL DAMAGES, INCLUDING BUT NOT LIMITED TO, INABILITY TO USE ITS PRODUCTS OR LABOR COSTS FOR REMOVING AND REPLACING DEFECTIVE PRODUCTS OR PARTS. SOME STATES DO NOT ALLOW THE EXCLUSION OR LIMITATION OF INCIDENTAL OR CONSEQUENTIAL DAMAGES, SO THE ABOVE LIMITATION OR EXCLUSION MAY NOT APPLY TO YOU.

#### **What Customers Must Do for Limited Warranty Service**

If you discover a problem that you think may be covered by the warranty you **MUST REPORT** it in writing to the address below within thirty (30) days. Proof of purchase (an original sales receipt) from the original consumer purchaser must accompany all warranty claims. Warranty claims must also include a description of the problem, the purchaser's name, address, and telephone number. General inquiries can be addressed to Premier Mounts Customer Service at 1-800-368-9700. Warranty claims will not be accepted over the phone or by fax.

Premier Mounts  
Attn: Warranty Claim  
3130 East Miraloma Ave.  
Anaheim, CA 92806

#### **How State Law Applies**

THIS WARRANTY GIVES YOU SPECIFIC LEGAL RIGHTS, AND YOU MAY ALSO HAVE OTHER RIGHTS WHICH VARY FROM STATE TO STATE.

## Disclaimer

Premier Mounts intends to make this manual accurate and complete. However, Premier Mounts makes no claim that the information contained herein covers all details, conditions or variations, nor does it provide for every possible contingency in connection with the installation or use of this product. The information contained in this document is subject to change without notice or obligation of any kind. Premier Mounts makes no representation of warranty, expressed or implied, regarding the information contained herein. Premier Mounts assumes no responsibility for accuracy, completeness or sufficiency of the information contained in this document.