

# FLAT PANEL MOUNTS

## Swingout Wall Mounts

### AM80

Swingout Mount for Flat-Panels up to 47"



37"-47"



80 lbs. (36 kg)



17" (441mm)



+/-15°

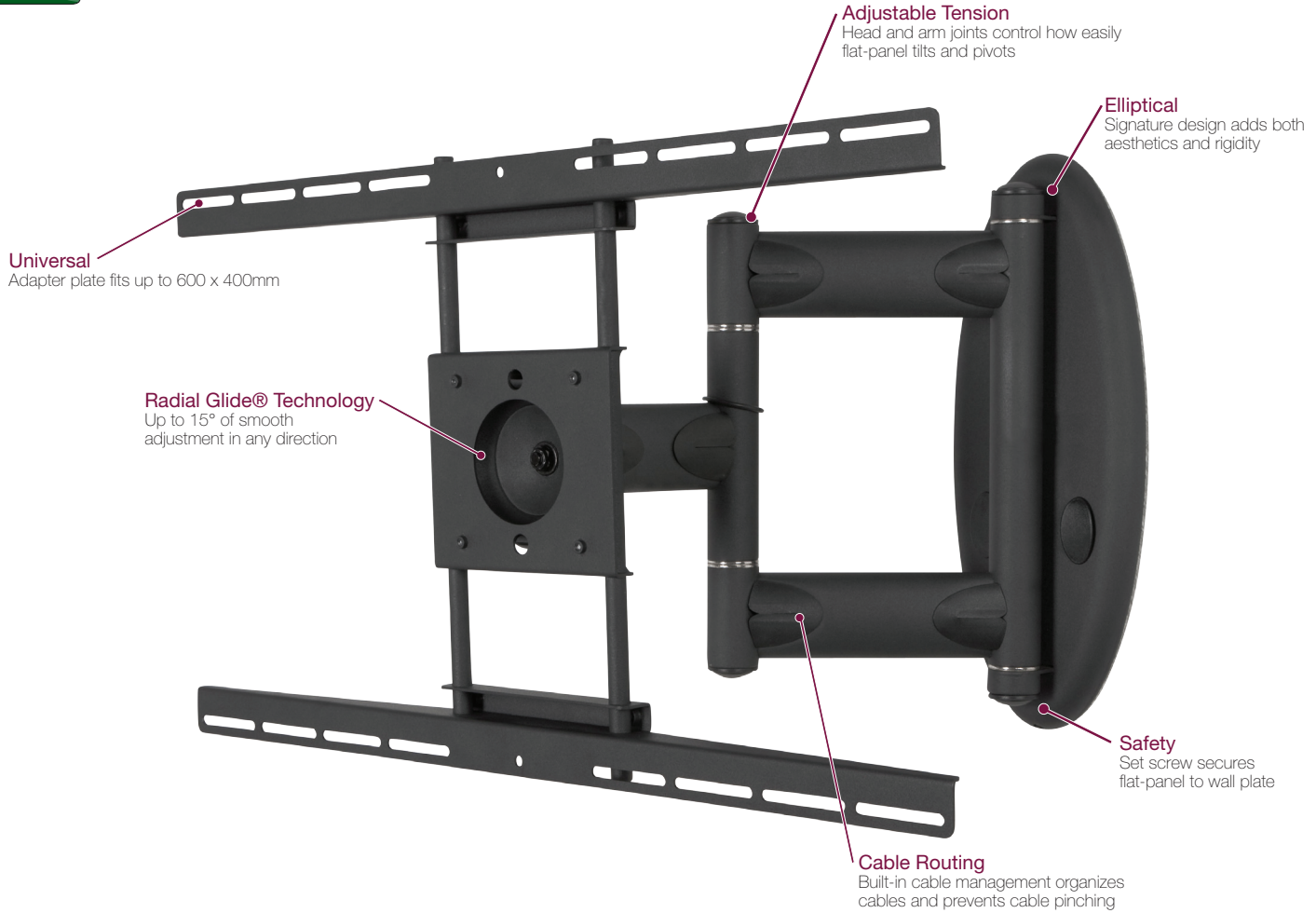


+/-90°



360°

**NEW**



#### FEATURES

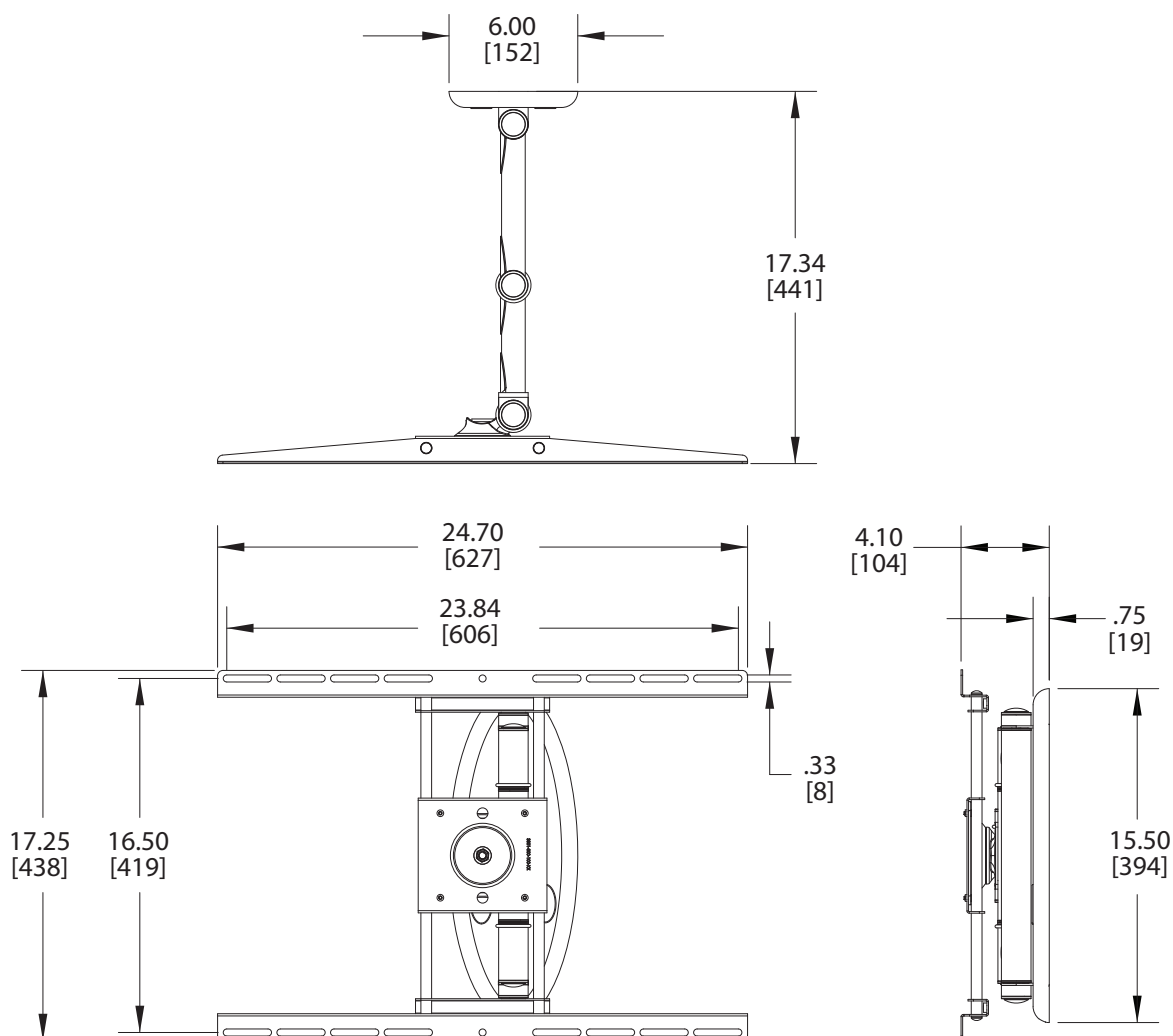
- Easily extends flat-panel over 17" from the wall
- Retracts down to a slim 4.1"
- Universal adapter plate fits patterns up to 600 x 400mm
- Smooth movement featuring Radial Glide® Technology
- Cable routing inside arms and through wall plate
- Elliptical design adds rigidity and aesthetics

#### SPECIFICATIONS

Model	AM80
Display Range	37"-47"
Weight Capacity	80 lbs. (36 kg)
Extension	17" (441mm)
Tilt	+/-15°
Pivot	+/-15°
Swivel	+/-90°
Rotate	360°
Mounting Patterns	75 x 75mm (Min) - 600 x 400mm (Max)



## DIMENSIONAL DRAWING



Dimensions in inches and millimeters [mm].  
Drawings subject to change without notice.

## ACCESSORY OPTIONS

*No accessory options available at this time*

## FAQ

### What if I don't know my mounting pattern?

Check the mount locator tool on [www.mounts.com](http://www.mounts.com) to see a list of compatible mounts or select a universal mount, which fits a broader range of mounting points.

### My flat-panel fits more than one mount. How do I choose?

Installation requirements, aesthetics, flat-panel weight and range of motion should assist in whittling down your decision for you.

### Can I mount a flat-panel in portrait with this mount?

Yes. Thanks to Radial Glide® Technology, the head of the mount rotates a full 360°, allowing you to freely rotate from landscape to portrait.