

P2642F

Low-Profile Mount for Flat-Panels up to 42"



26"-42"



130 lbs. (56 kg)



.96" (24mm)



535 x 400mm

NEW

Horizontal Adjustment
Built-in lateral shift allows for flexible placement of flat-panel

Post-Installation Leveling
Enables vertical adjustment after installation

Low-Profile Design
Holds flat-panel less than 1" from the wall

Connect
Bolt multiple mounts side-by-side to create your own videowall

Open Design
Allows for easy cable routing and access to power receptacles

Precise Alignment
Vertical Alignment Notch aids in placing flat-panel at the correct viewing height

Versatile Installation
Can be installed on 16" and 18" studs



Includes Lock-It™ Barrel

(Padlock not included)

FEATURES

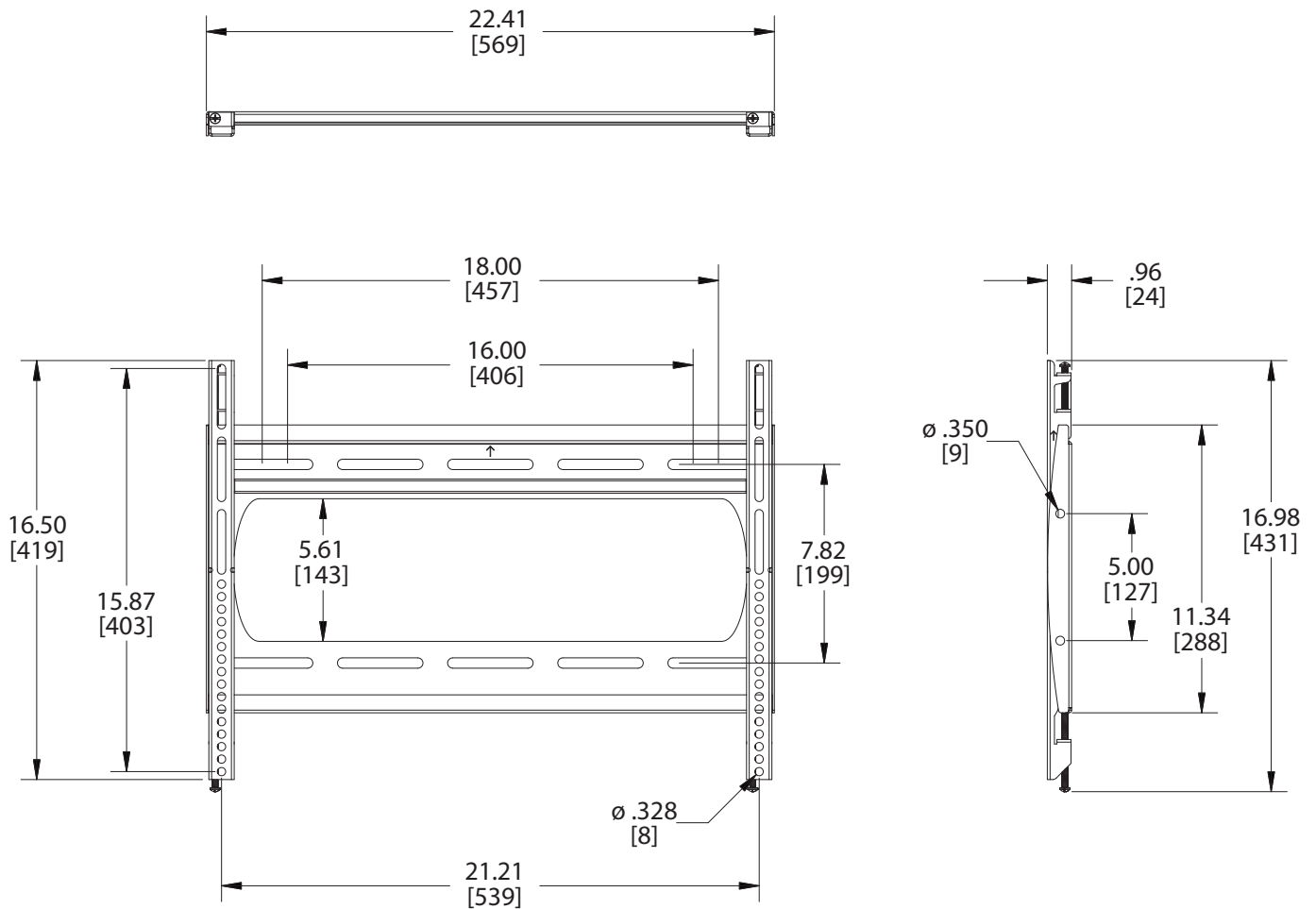
- Low-profile design
- Post-installation leveling system
- Open design for easy cable and electrical access
- Built-in lateral shift
- Universal hardware pack includes innovative universal spacers and M4-M8 screws
- Mounting kit includes wood, concrete and steel stud attachment hardware
- Lock-It™ security barrel included

SPECIFICATIONS

Model	P2642F
Display Range	26"-42"
Weight Capacity	130 lbs. (56 kg)
Depth	.96" (24mm)
Mounting Patterns	200 x 200mm (Min) - 535 x 400mm (Max)



DIMENSIONAL DRAWING



Dimensions in inches and millimeters [mm].
Drawings subject to change without notice.

ACCESSORY OPTIONS

GB-INWAVP In-wall AV Power GearBox™



PCB-CSL1 Cable Lock



INW42 In-wall Box



FAQ

My flat-panel fits more than one mount. How do I choose?

Installation requirements, aesthetics, flat-panel weight and range of motion should assist in whittling down your decision for you.

What is "post-installation leveling"?

Screws at the top of each mounting bracket can be independently tightened to slightly adjust the level of the flat-panel after installation, providing a last-minute correction if needed.

What if I don't know my mounting pattern?

Check the mount locator tool on www.mounts.com to see a list of compatible mounts or select a universal mount, which fits a broader range of mounting points.