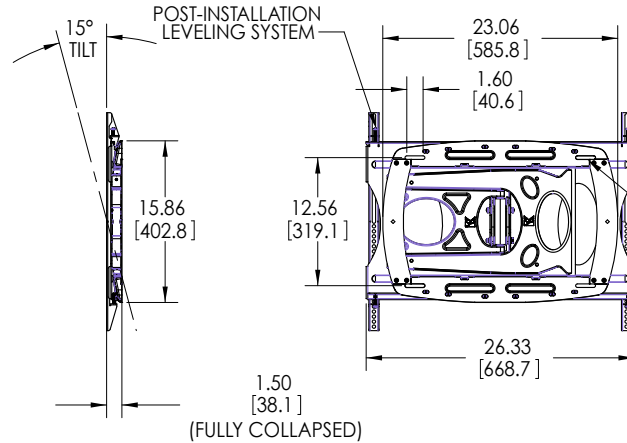
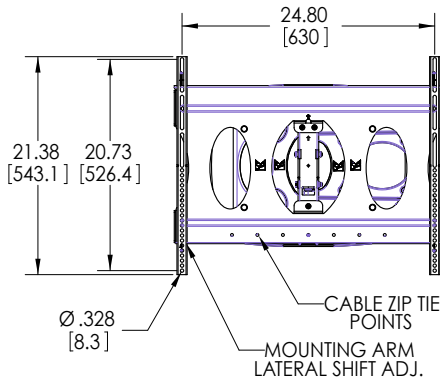


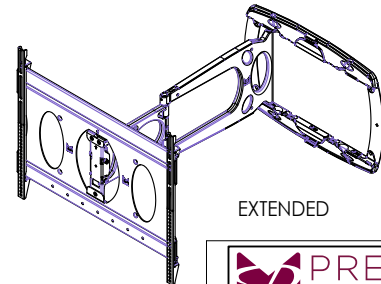
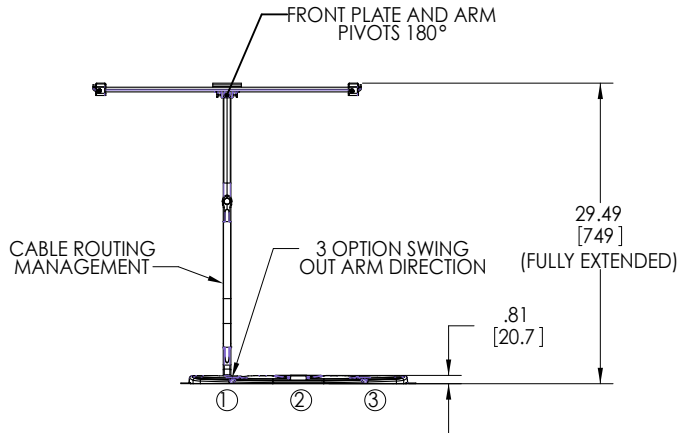
THE INFORMATION CONTAINED IN THIS DRAWING IS THE SOLE PROPERTY OF PREMIER MOUNTS DIVISION OF <PMPI>. ANY REPRODUCTION IN PART OR WHOLE WITHOUT THE WRITTEN PERMISSION OF PREMIER MOUNTS DIVISION OF <PMPI> IS PROHIBITED.



BACK PLATE LATERAL SHIFT ADJ.

FLAT

SWING OUT



MOUNTS.COM

DIMENSIONS ARE IN INCH AND [MM]



1321 S. State College Blvd.  
Fullerton, CA 92831  
P. 800.368.9700 - F. 800.832.4888

ITEM DESCRIPTION:  
**AM100**

SIZE B DWG. NO.

SCALE 1:10

SHEET 1 OF 1