

MAG-PRO

Mount with Integrated Coupler for Projectors up to 10 lbs.



10 lbs. (4.5 kg)



7.28" (185mm)



+/-6°



+/-6°



360°



Cable Routing
Discretely manage cables through mount and into ceiling

MagnaGuide® Technology
Powerful magnets assist installation and guide the projector plate into the ceiling mount

Secure
Included Lock-It™ security hardware deters tampering

Radial Glide® Technology
Up to 6° of smooth adjustment in any direction

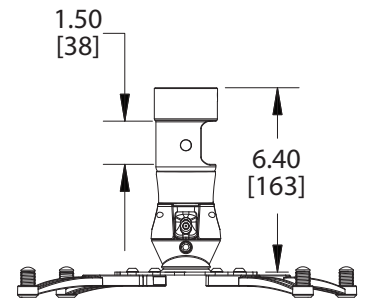
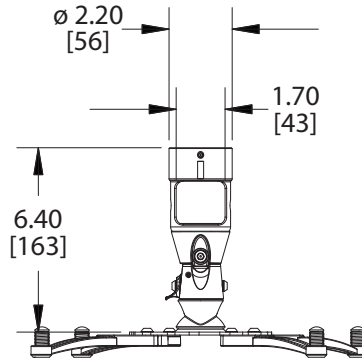
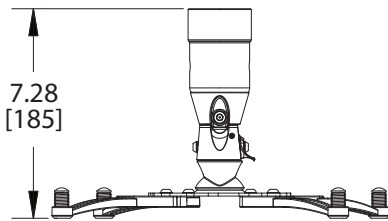
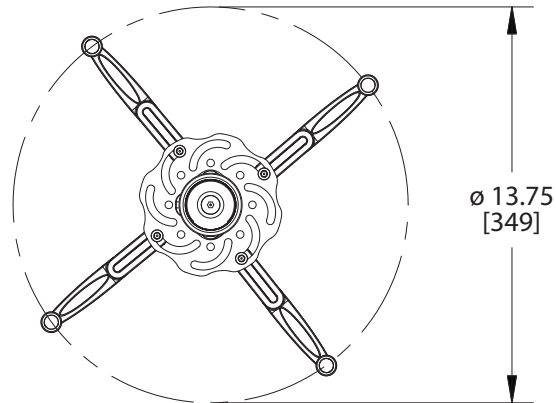
FEATURES

- Integrated coupler mates with standards 1.5" NPT & features cable routing port
- MagnaGuide® Technology assists in installation
- Easy one-person mounting of most projectors up to 10 lbs.
- Radial Glide® Technology provides smooth roll, pitch & yaw
- Lock-It™ security hardware deters theft
- Now includes Lock-It™ security leveling barrel for even greater theft prevention
- OSHPD & DSA approved (OPA-1683-07)

SPECIFICATIONS

Models	MAG-PRO (Black) MAG-PRO-W (White)
Weight Capacity	10 lbs. (4.5 kg)
Height	7.28" (185mm)
Pitch	+/-6°
Roll	+/-6°
Yaw	360°





Dimensions in inches and millimeters [mm].
Drawings subject to change without notice.

ACCESSORY OPTIONS

AST-2446 Adjustable Height Ceiling Adapter (24"-46")



PCB-CSL1 Security cable



PP-TL Vaulted Ceiling Adapter



FAQ

Can I mount this to a vaulted ceiling?

Yes. Use our vaulted ceiling adapter, model PP-TL.

What is OSHPD?

OSHPD stands for the Office of Statewide Health Planning and Development. Testing and certification from this government-run organization is focused on seismic testing of products. Mathematical calculations and physical shake tests are required for approval.

What if I don't know the weight of my projector?

Check the mount locator tool on www.mounts.com to see a list of compatible mounts for your specific model.