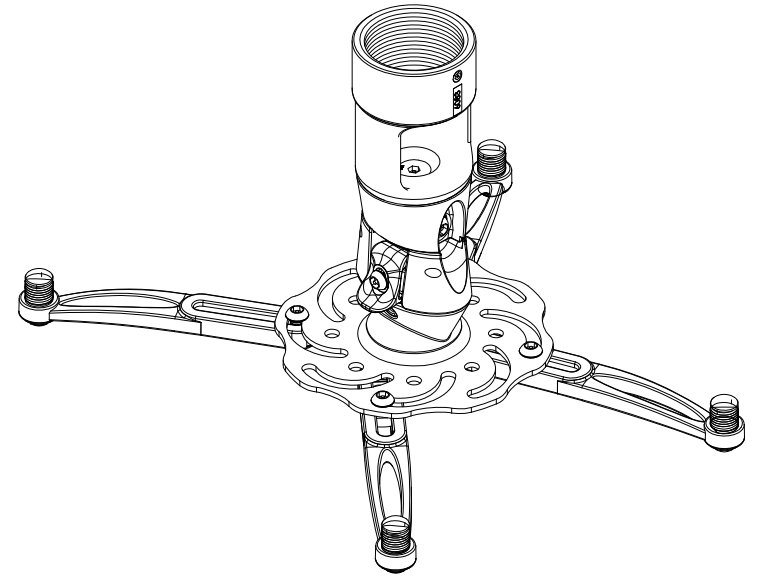
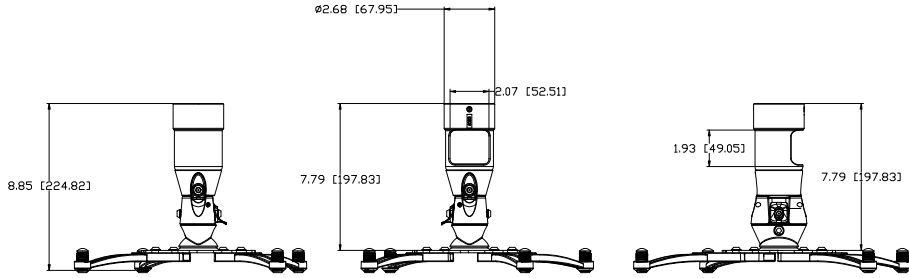
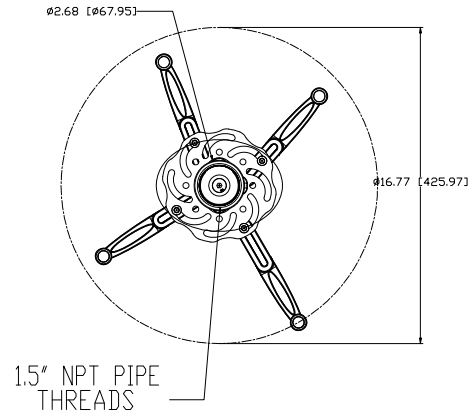


THE INFORMATION CONTAINED IN THIS DRAWING IS THE SOLE PROPERTY OF PREMIER MOUNT DIVISION (OR PMPI). ANY REPRODUCTION IN PART OR WHOLE WITHOUT THE WRITTEN PERMISSION OF PREMIER MOUNT DIVISION (OR PMPI) IS PROHIBITED.

REVISIONS			
REV.	DESCRIPTION	DATE	APPROVED



Architectural Specifications  
 The projector mount will be a Premier Mounts MAG-PRO, or equivalent, and can be used to suspend projector displays from a variety of ceiling and wall structures. It will mount to wood joists or concrete. It will be made of square steel tubing and will support up to 25lbs. It will be UL listed and approved. Assembly and installation will be performed according to the instructions provided by the manufacturer.

Surface Types - Wood or Concrete  
 Weight Capacity - 25lbs.  
 Dimensions - 8.85' (H)  
 Attachment - Wood Screws and Concrete Anchors