

Universal Short-Throw Projector Arm



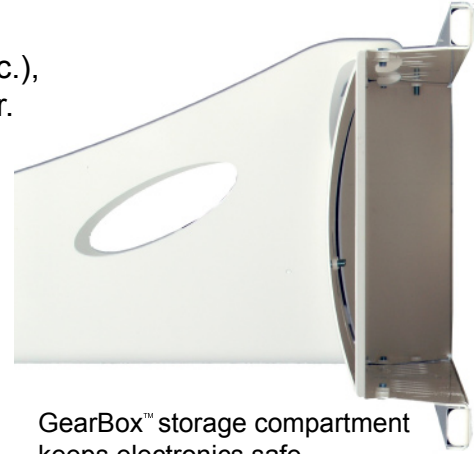
Model: UNI-EXT

Premier Mounts' universal short-throw projector arm is crafted to support the latest short-throw projectors on the market today.

Designed with unique features such as a wall-mounted GearBox™ to hold a small PC, Mac Mini or other control device (Crestron, Extron etc.), the UNI-EXT offers many conveniences for both installer and end-user.

Offering more adjustability than any other projector arm on the market, the UNI-EXT adjusts from 7" to 67" from the wall.

Unlike lesser models, the UNI-EXT does not require a stud to be located in the center of the whiteboard/screen. It can mount to single or dual studs (16", 18" and 24"), as well as concrete and steel stud construction and features integrated lateral shift for finite adjustment to center of screen.



GearBox™ storage compartment keeps electronics safe.

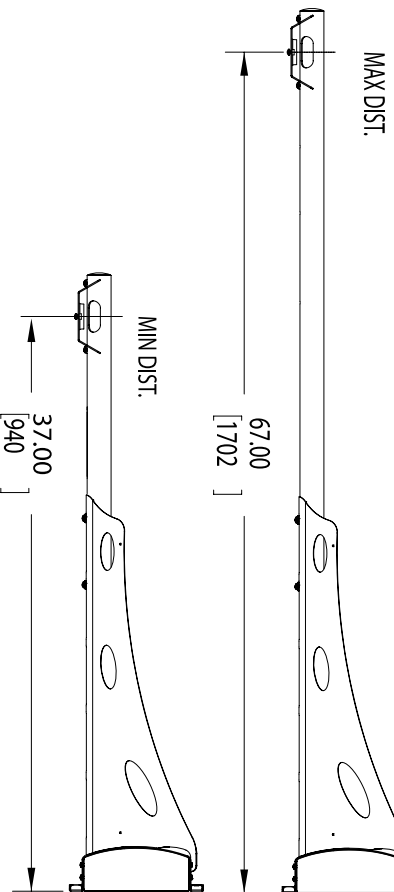
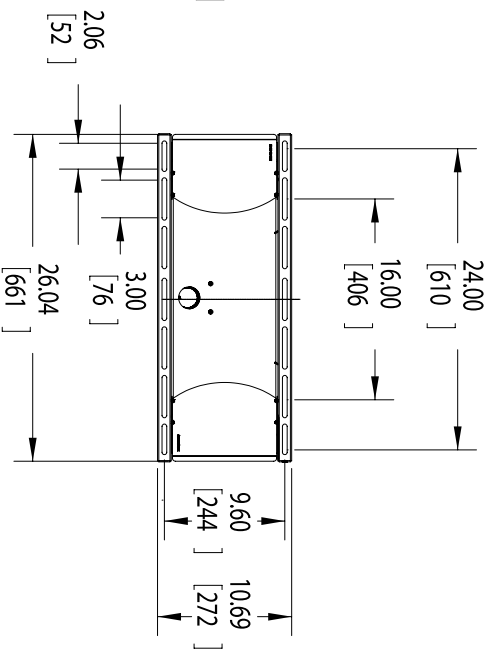
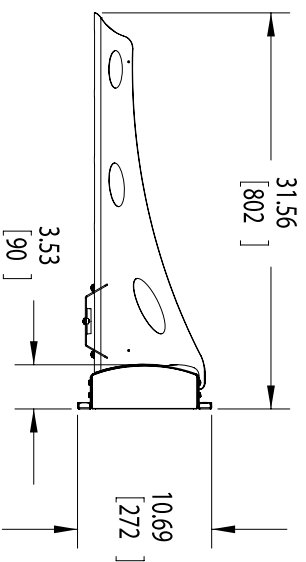
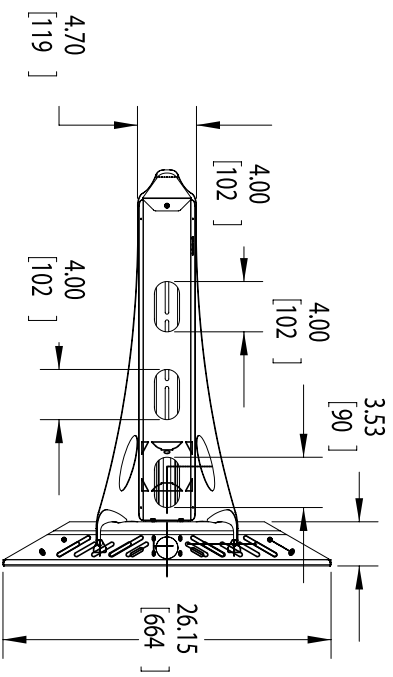
Features

- Supports projectors up to 50 lbs.
- Adjusts from 7"-67" from the wall
- Includes wall-mounted storage box
- Integrated cable management
- Mounts to single and dual studs, steel studs and concrete
- Includes universal projector mount (Model: PDS-PLUSW)
- +/-16.5° tilt
- +/-7.5° roll
- 360° yaw
- Lifetime Warranty



Also available in black (UNI-EXB) pictured without extension.

SPECIFICATIONS



Universal Short-Throw Projector Arm

Model: UNI-EXT