

# Universal Short-Throw Projector Arm



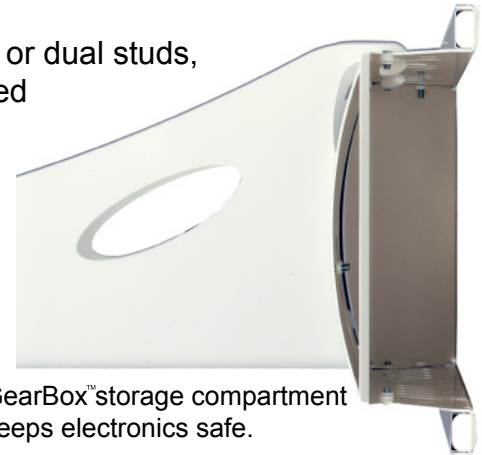
Model: UNI-STA

Premier Mounts' universal short-throw projector arm is crafted to support all of the latest short-throw projectors on the market today.

Designed with unique features such as a wall-mounted GearBox™ to hold a small PC, Mac Mini or other control device (Crestron, Extron etc.), the UNI-STA offers many conveniences for both installer and end-user.

Offering more adjustability than any other projector arm on the market, the UNI-STA adjusts from just 7" to 27" from the wall (also available for throw distances up to 67"; Model: UNI-EXT).

Unlike lesser models, the UNI-STA does not require a stud to be located in the center of the whiteboard/screen. It can mount to single or dual studs, as well as concrete and steel stud construction and features integrated lateral shift at the wall for finite adjustment to center of screen.



GearBox™ storage compartment keeps electronics safe.

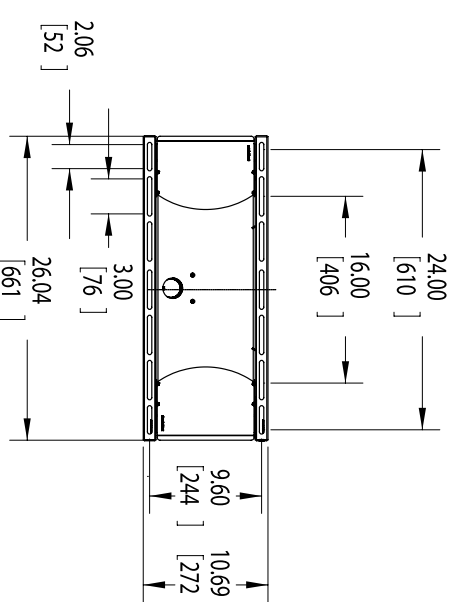
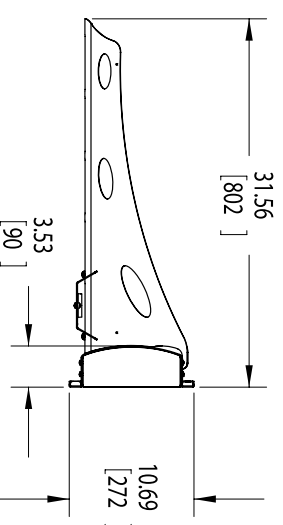
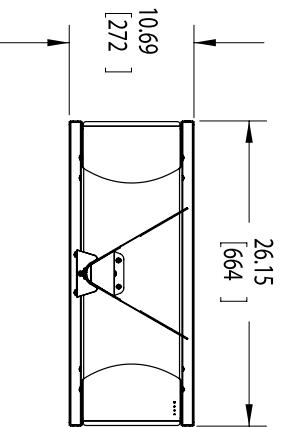
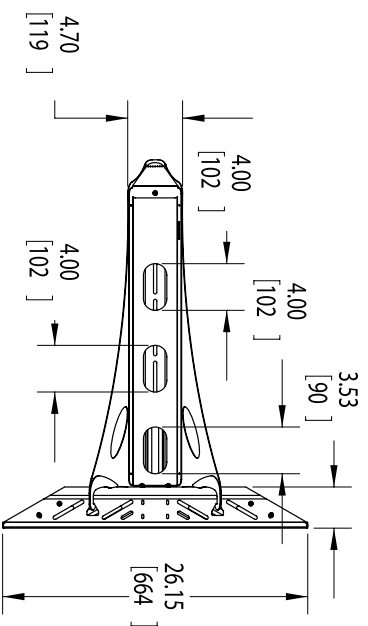
## Features

- Supports projectors up to 50 lbs.
- Adjusts from 7"-27" (up to 67" when ordered as UNI-EXT)
- Includes wall-mounted storage box
- Integrated cable management
- Mounts to single and dual studs, steel studs and concrete
- Includes universal projector mounts (Model: PDS-PLUSW)
- +/-16.5° tilt
- +/-7.5° roll
- 360° yaw
- Lifetime Warranty
- Also available in black. Model: UNI-STB

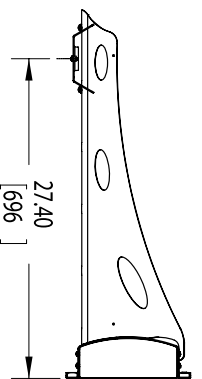


Also available in black (Model: UNI-STB)

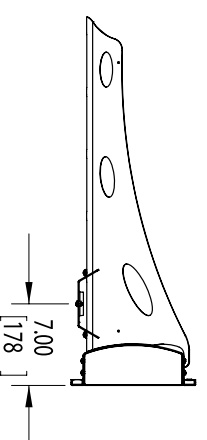
# SPECIFICATIONS



MAX.DIST.



MIN.DIST.



Universal Short-Throw Projector Arm  
Model: UNI-STA