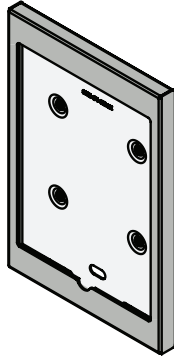




# iPad™ IPM-100 Mounting Frame Installation Instructions



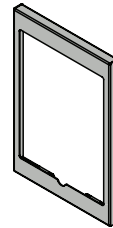
The IPM-100 mounting frame, designed to securely hold the Apple iPad™ (not included), complements the mobile digital device's stylish look and easily fastens to any of Premier Mounts' wall or table mounts (sold separately) using the frame's VESA 100x100mm mounting pattern. The IPM-100 provides flexibility and security for the optimal hands-free experience.



3130 East Miraloma Avenue  
Anaheim, CA 92806 USA  
**USA and Canada**  
Phone: 1.800.368.9700  
Fax: 1.800.832.4888

Other Locations – Phone: (001).714.632.7100; Fax: (001).714.632.1044 ©Premier Mounts 2010

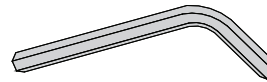
## Parts List



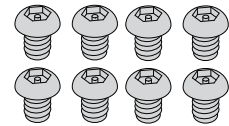
IPM-100 - Front Piece  
(Qty 1)



IPM-100 - Back Piece  
(Qty 1)



M5 Security Allen Wrench  
(Qty 1)



M4 x 8mm Security Screw  
(Qty 8)

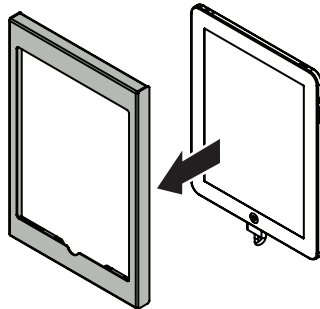
### Step 1

Attach the dock connector to the iPad™.

### Step 2

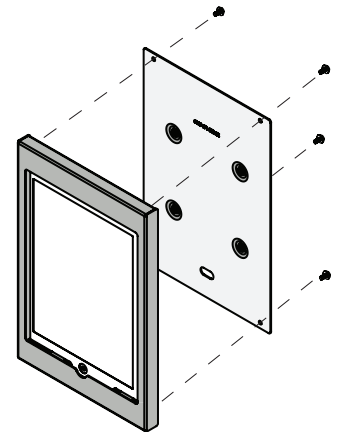
Place the iPad™ and its attached dock connector into the front piece of the IPM-100.

Make sure the iPad™ home button is accessible through the frame.



### Step 4

Use the M5 security Allen wrench and four (4) M4 x 8mm security screws to fasten the back piece of the IPM-100 to the front piece.



### Step 3

Thread the USB end of the dock connector through the slot of the back piece of the IPM-100.

Make sure the bumps of the VESA mounting holes on the back piece of the IPM-100 are facing away from the iPad™.

Thread the USB end of the dock connector through this slot.

### Step 5

Attach the IPM-100 to the desired mount (not included) using four (4) M4 x 8mm security screws. Refer to the mount's installation manual.

• All trademarks are the property of the respective trademark owners.