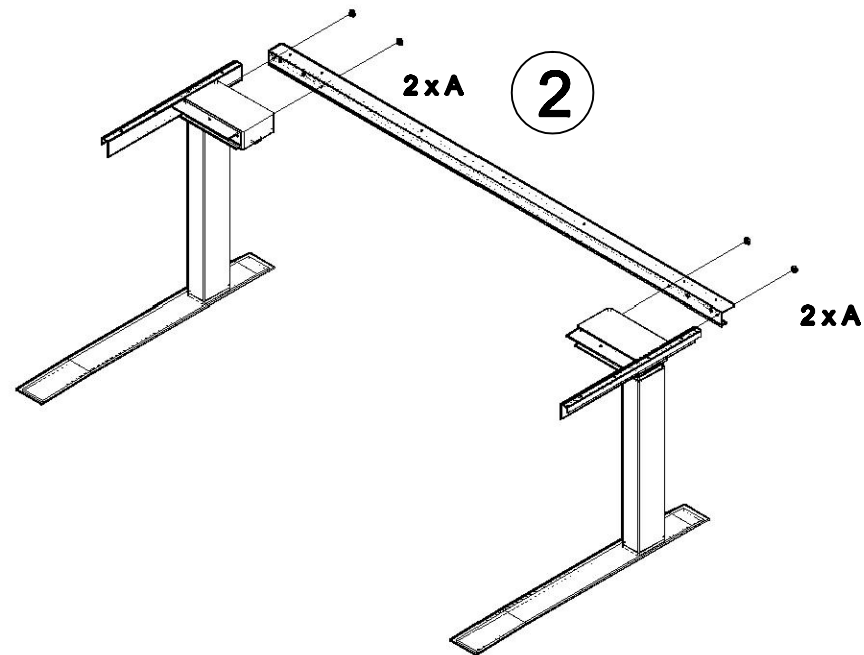
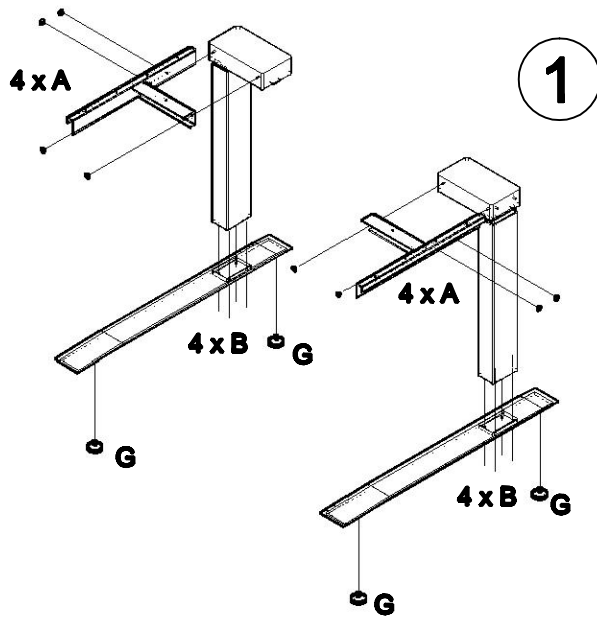





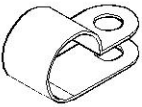
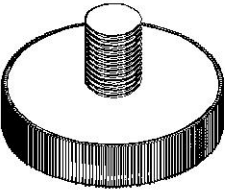


Surf-2

2 leg



A	R011073		X 12
B	R011057		X 8
C	R011502		X 20
D	R011500		X 14
E	R011525		X 2
F	R010230		X 10
G	RM-175		X 4