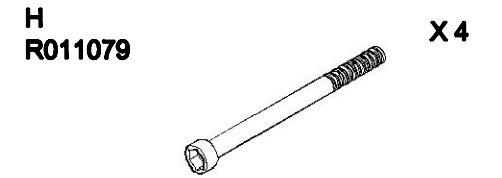
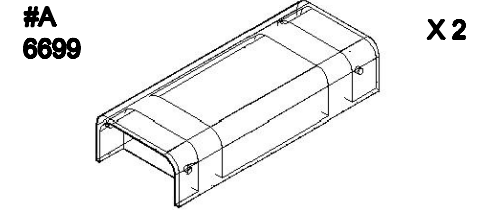
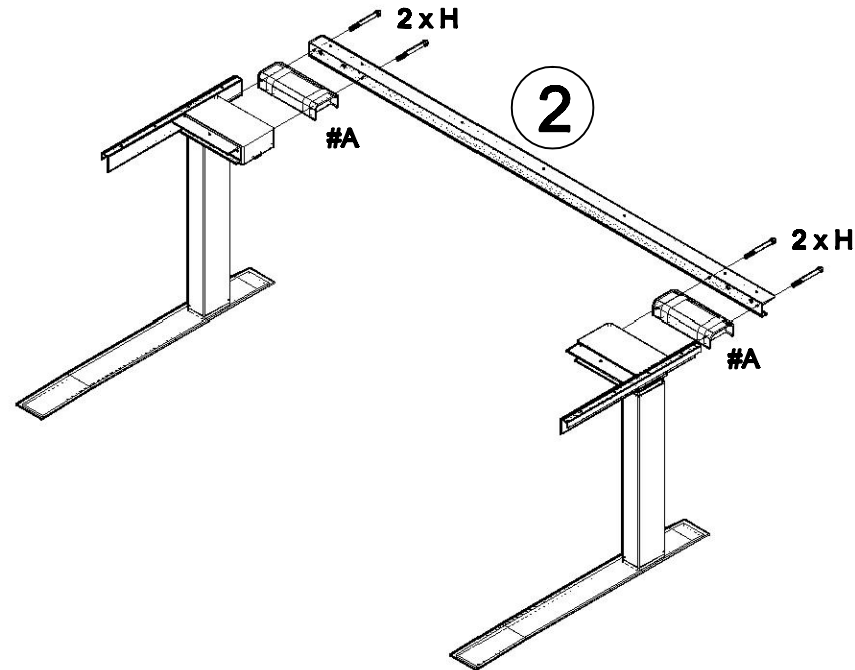
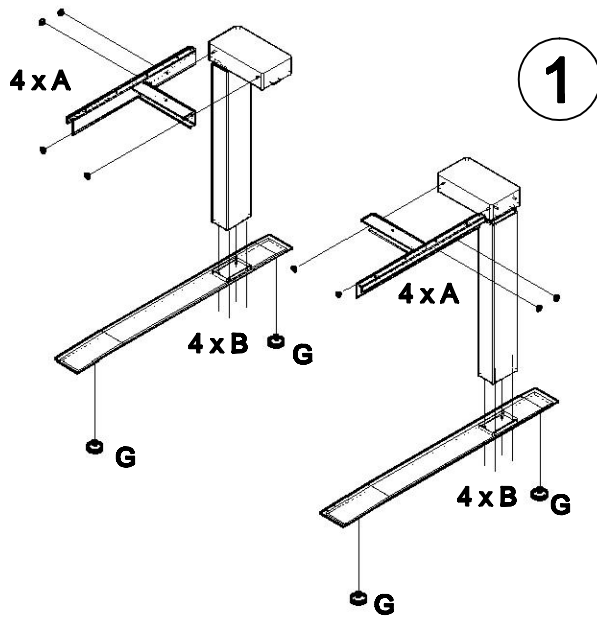
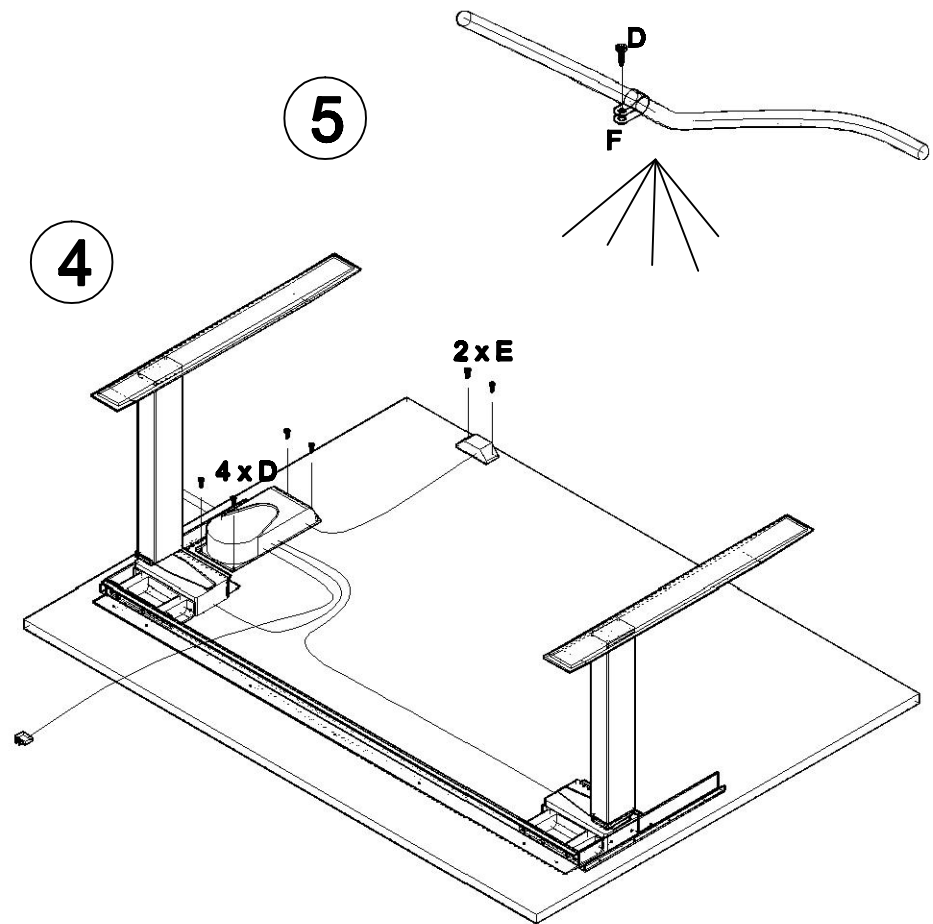
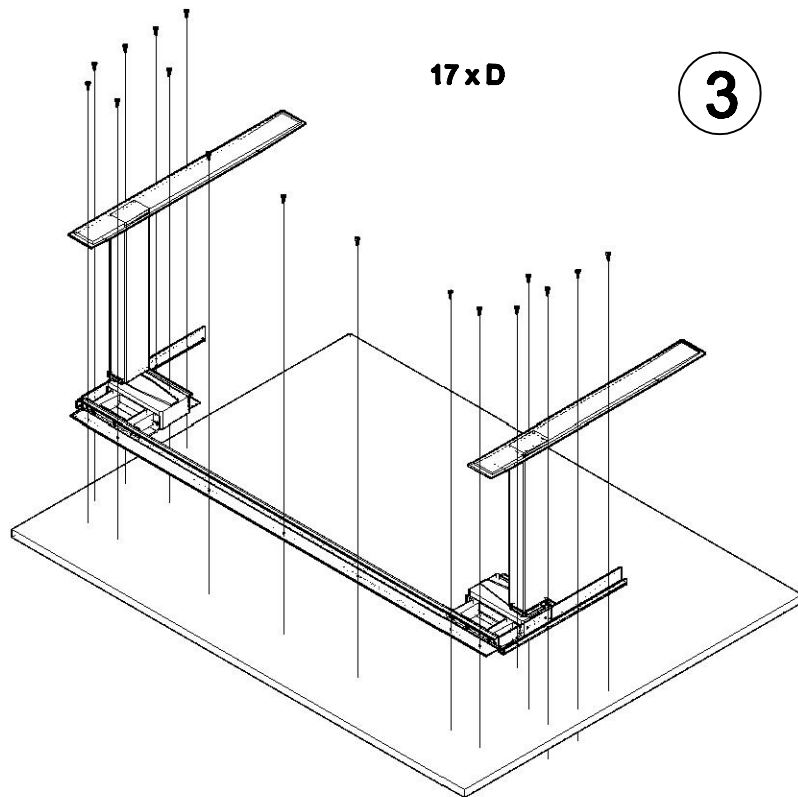


# Surf-2

# 2 leg Kaiser EXT. KIT.





**Reset ALWAYS the table before use.**

- Lower the table completely by pushing the on the control panel.
- Stop pushing the button.
- Push the button again and HOLD IT until the columns stops moving.

**If the columns do not function - check the following:**

- Is the network cable connected to the power supply?
- Has the table been reset?
- Are all the plugs connected correctly to the control box?  
check the cable, control panel and motor cables.