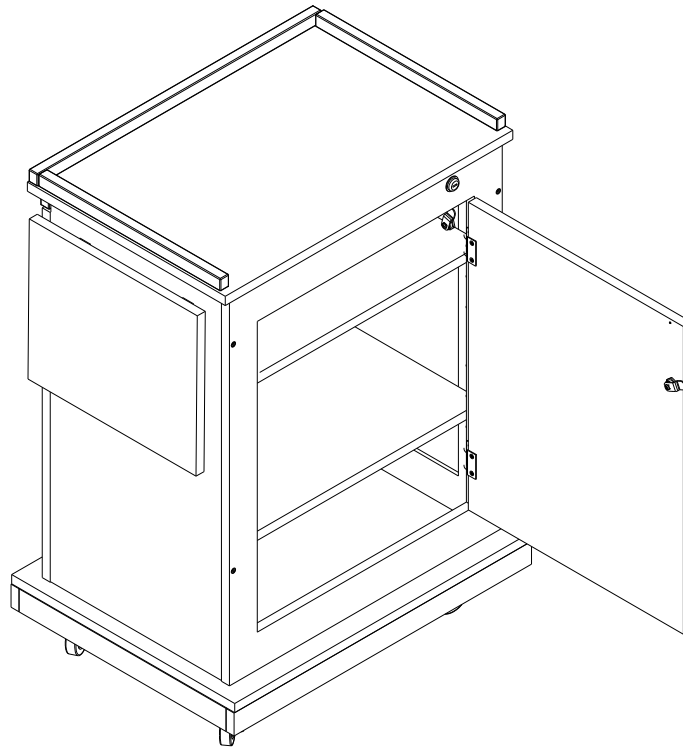




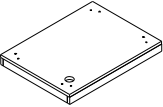
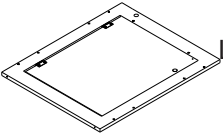
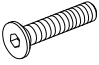
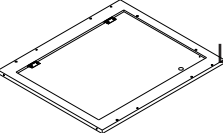

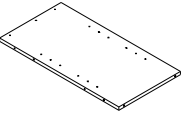

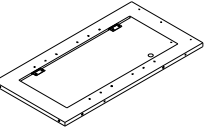

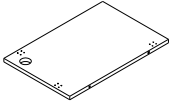

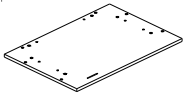
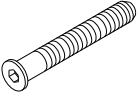
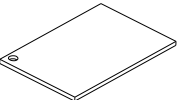

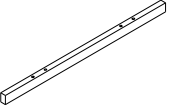
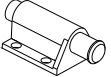
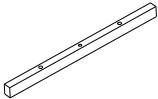

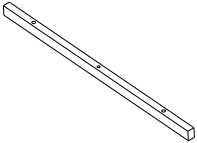
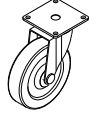
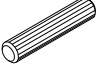

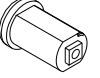
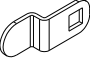

#89855 Champ
AV/ Presentation Stand
Mahogany



Assembly Instructions



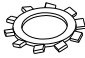




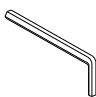


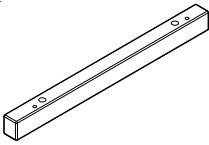
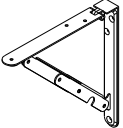
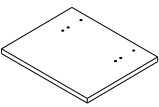
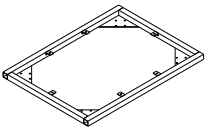
#89855 Champ

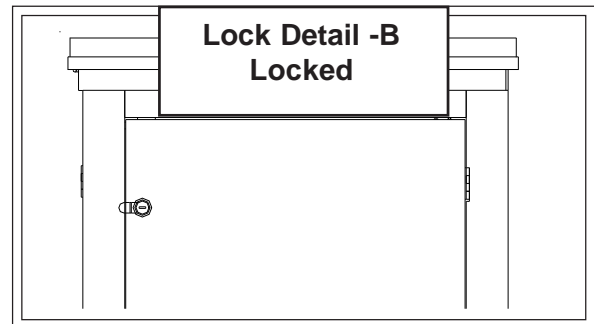
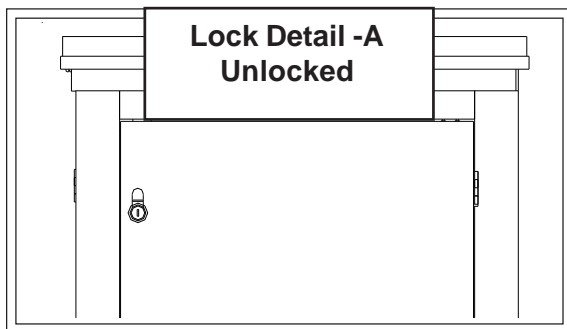
AV/Presentation Stand

Part	Drawing	Description	Qty	Part	Drawing	Description	Qty
P-1		Wood Base	1 EA	Hardware List			
P-2		Large door Frame-tall	1 EA	A		Socket Screw M6X30mm	12 EA
P-3		Large door Frame-short	1 EA	A1		Socket Screw M6X9mm	16 EA
P-4		Side Panel	1 EA	A2		1/4" Phil Head Lock Screw	4 EA
P-5		Side door Frame	1 EA	A3		CS Wood Screw (For Slide/Folding Bracket)	22 EA
P-6		Top Platform-drilled	1 EA	A4		Pan Hd Screw #8x1/2	6 EA
P-7		Sliding Shelf	1 EA	A5		Long Wood Screw	12 EA
P-8		Removable Shelf	2 EA	A6		Pan Hd Screw #4x7/16	12 EA
P-9		Lower Front Trim	1 EA	B		Magnetic Door Catch	3 EA
P-10		Upper Side Trim	2 EA	C		3" Locking Plate Caster	2 EA
P-11		Upper Front Trim	1 EA	D		3" Plate Caster	2 EA
Tools required: Phillips Head Screwdriver Standard Flat Head Screwdriver				E		Wood Dowel	25 EA
				F		Shelf Support Pin	8 EA
				G		Lock Cylinder	4 EA
				H		Lock Retainer	4 EA
				J		Lock Plate	4 EA

#89855 Champ

AV/Presentation Stand

Part	Drawing	Description	Qty	Part	Drawing	Description	Qty
P-12		Left Shelf Slide	1 EA	<p style="text-align: center;">Hardware List</p> <p>K  Lock Ring 4 EA</p> <p>L  Lock Washer 4 EA</p> <p>M  Lock Hex 4 EA</p> <p>N  Key 8 EA</p> <p>R  Grommet Sleeve 4 EA</p> <p>S  Grommet Cap 4 EA</p> <p>T  Allen Wrench 1 EA</p> <p>Tools required: Phillips Head Screwdriver Standard Flat Head Screwdriver</p> 			
P-13		Right Shelf Slide	1 EA				
P-14		Slide Support	2 EA				
P-15		Folding Shelf Bracket	2 EA				
P-16		Side Shelf	1 EA				
P-17		Metal Base	1 EA				



Do not use unless all screws are tight. At least every six months, check all screws to be sure they are tight. If parts are missing, broken, damaged, or worn, stop use of the product until repairs are made by your dealer using factory authorized parts.

Champ Assembly Diagram

Caution:
When moving Door Frames,
Hold frame and door together so hinges
are not Damaged!

Read through assembly instruction from beginning to end before starting to assemble product.

To Assemble:

Identify and Separate all the Parts and Hardware.

1. Place the Large Door Frame Tall (P-2) with the Predrilled holes facing up and install 6 Wood Dowels (E) into the drilled holes as shown in illustration # 1.

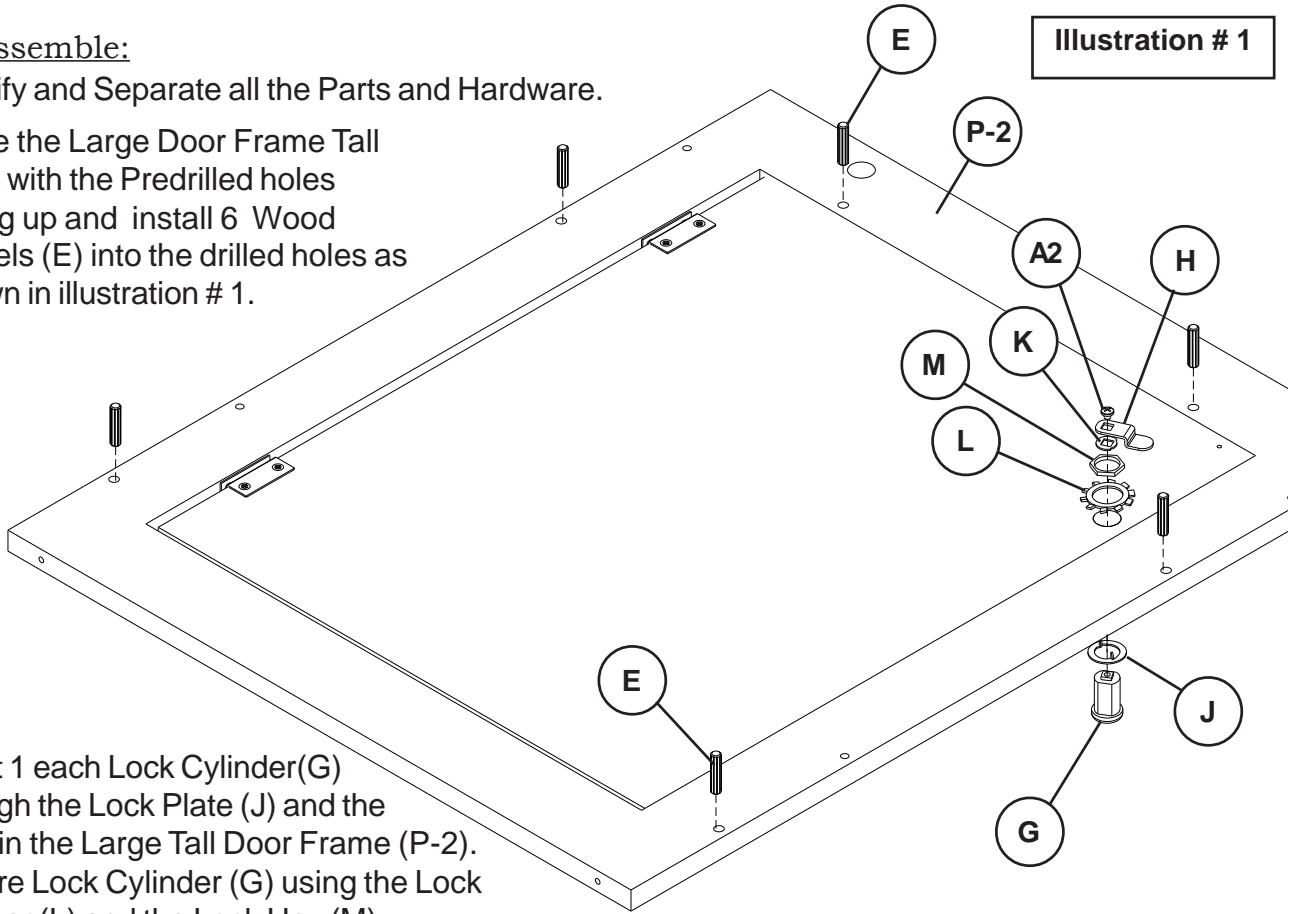


Illustration # 1

2. Insert 1 each Lock Cylinder (G) through the Lock Plate (J) and the hole in the Large Tall Door Frame (P-2). Secure Lock Cylinder (G) using the Lock Washer (L) and the Lock Hex (M). (FINGER TIGHTEN ONLY.)

3. Slide Lock Ring (K) and Lock Retainer (H) over the square end of Lock Cylinder (G). Secure using the 1/4" Phil Head Lock Screw (A2). Before tightening the Lock Hex (P), Insert the Key (N) and turn lock. Be sure that Lock Retainer (K) Turns 90 degrees and rotates behind door frame as shown in Lock Details A & B (See page #3). (TIGHTEN LOCK HEX (M)).

4. Place the Large Door Frame Short (P-3) with the Predrilled holes facing up and install 6 Wood Dowels (E) into the drilled holes as shown in illustration # 2.

5. Repeat Steps 2 and 3 to attach other door lock. Be sure that Lock Retainer (K) Turns 90 degrees and rotates behind door frame as shown in Lock Details A & B (See page #3). (TIGHTEN LOCK HEX (M)).

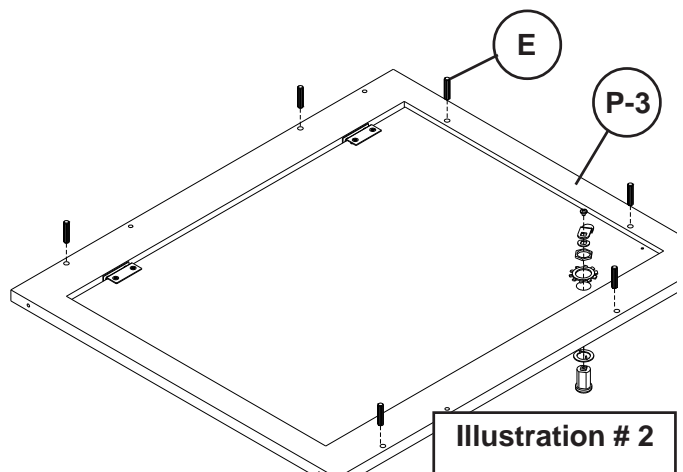


Illustration # 2

6. Place the Side Door Frame (P-5) with the Predrilled holes facing up and install 1 Right Shelf Slide (P-13) using 3 Screws (A3) as shown in illustration # 3.

7. Insert 1 each Lock Cylinder(G) through the Lock Plate (J) and the hole in the Side Door Frame (P-5). Secure Lock Cylinder (G) using the Lock Washer (L) and the Lock Hex (M). (FINGER TIGHTEN ONLY.)

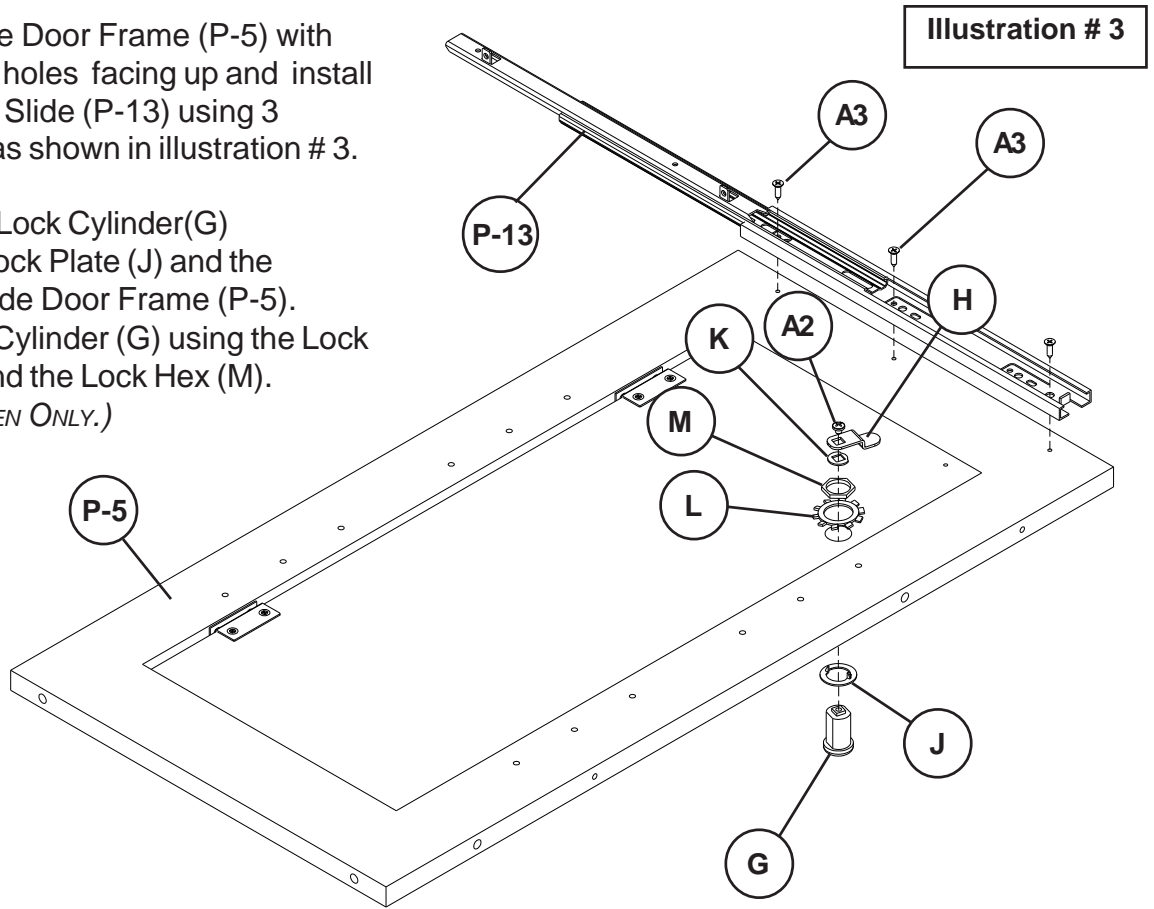


Illustration # 3

8. Slide Lock Ring (K) and Lock Retainer (H) over the square end of Lock Cylinder (G). Secure using the 1/4" Phil Head Lock Screw (A2).

9. Be sure that Lock Retainer (H) Turns 90 degrees and rotates behind door frame as shown in Lock Details A & B (see page 3).

**Should you require assistance during assembly,
please call our Customer Service Department
Monday - Friday 8 a.m. - 5 p.m.
Central Standard Time
Toll-Free Customer Service
1-800-749-2258**

10. Place the Side Panel (P-4) with the Predrilled holes facing up and install 1 Left Shelf Slide (P-12) using 3 Screws (A3) as shown in illustration # 4.

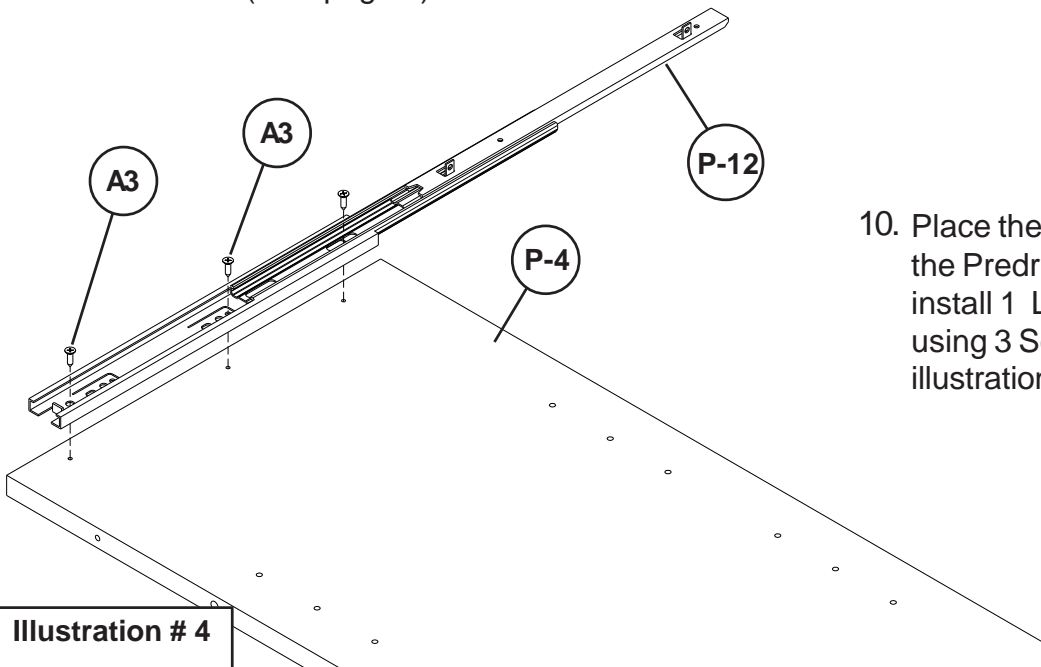
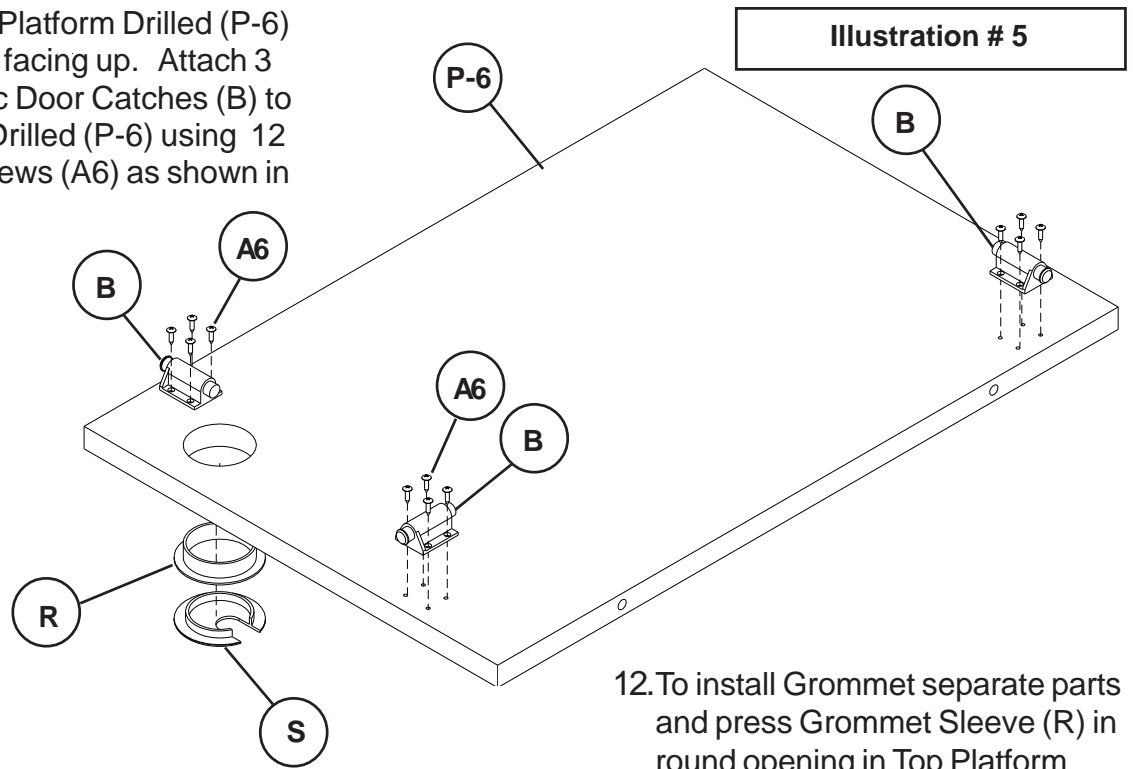


Illustration # 4



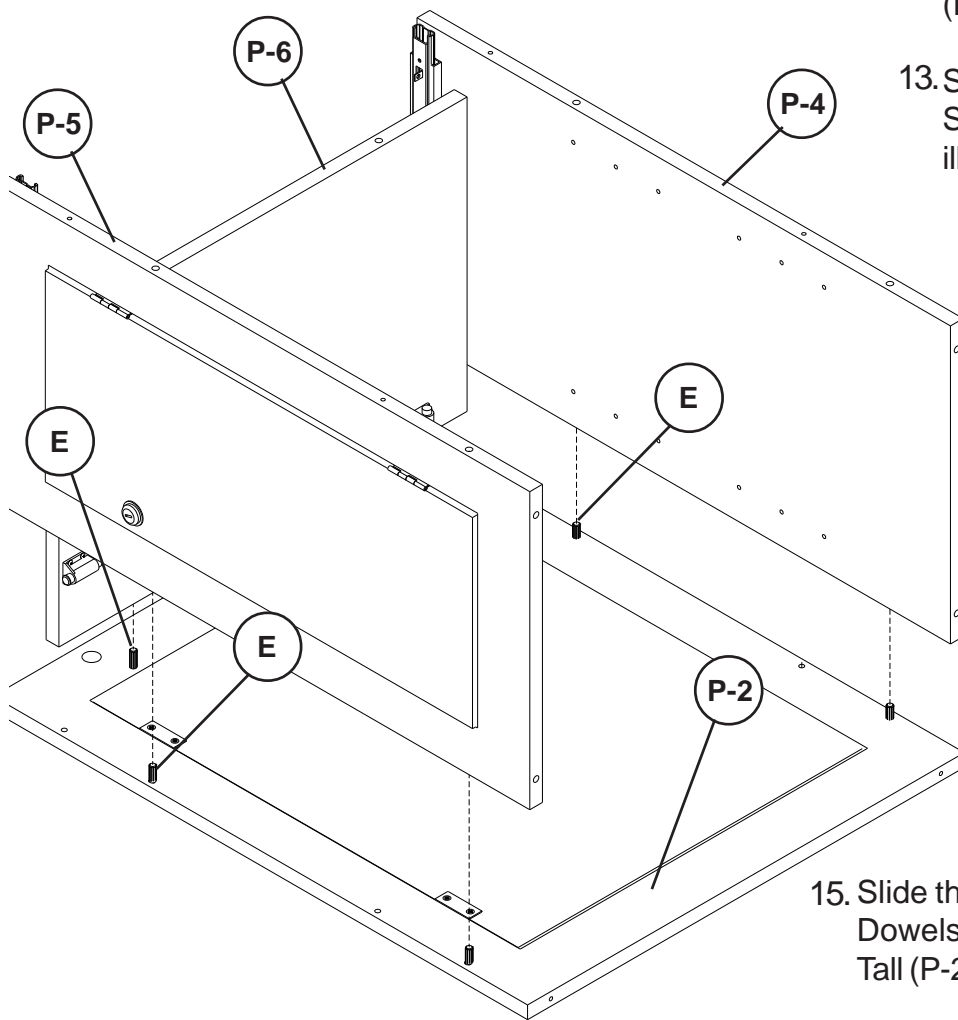
11. Place the Top Platform Drilled (P-6) with the Holes facing up. Attach 3 each Magnetic Door Catches (B) to Top Platform Drilled (P-6) using 12 each short screws (A6) as shown in illustration # 5.



12. To install Grommet separate parts and press Grommet Sleeve (R) in round opening in Top Platform (P6) as shown in illustration #5.

13. Snap plastic Cap (S) over top of Sleeve as shown in illustration #5.

14. Slide the Top Platform Drilled (P-6) over the 2 Dowels (E) in the Large Door Frame Tall (P-2) as shown in illustration #6.



15. Slide the Side Panel (P-4) over the 2 Dowels (E) in the Large Door Frame Tall (P-2).

16. Slide the Side Door Frame (P-5) over the Dowels (E) in the Large Door Frame Tall (P-2) as shown in illustration #6.

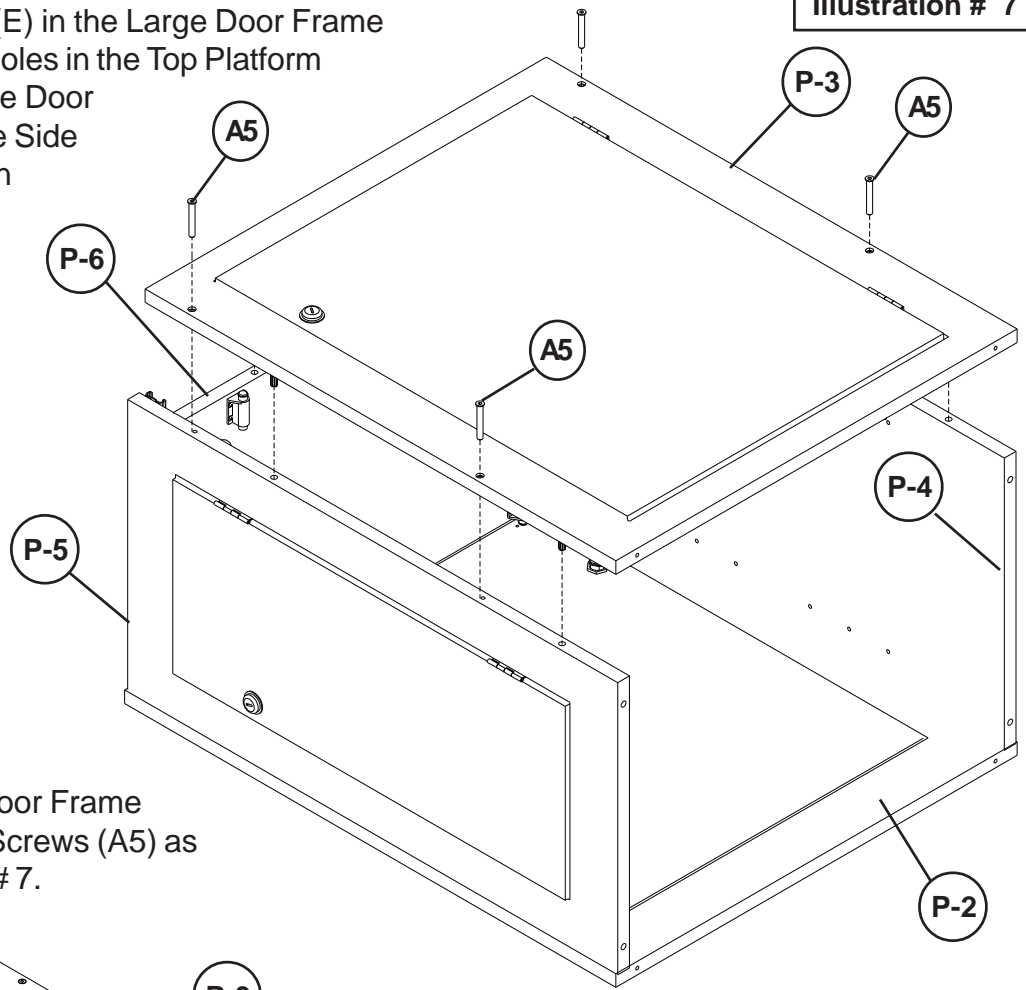


Illustration # 6

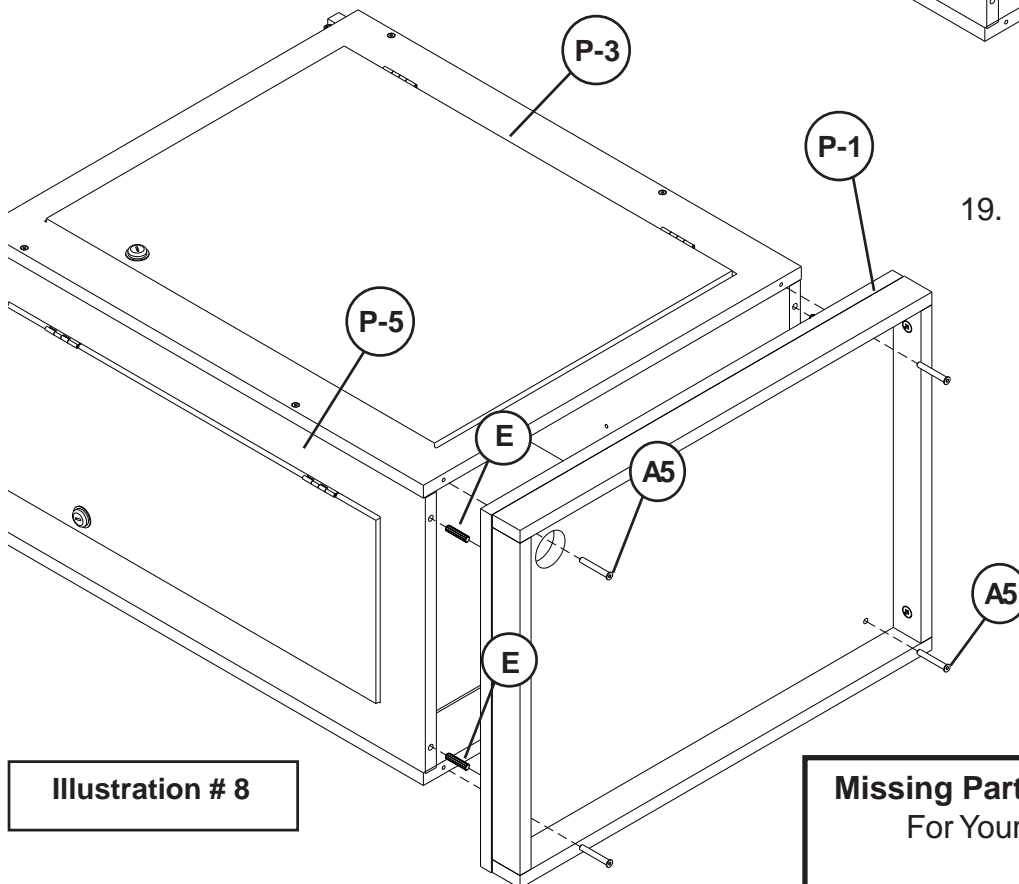
Illustration # 7

17. Slide the 6 Dowels (E) in the Large Door Frame Short (P-3) into the holes in the Top Platform Drilled (P-6), the Side Door Frame (P-5), and the Side Panel (P-4) as shown in illustration # 7. Tighten Screws using Allen Wrench (T).

Note: Be sure that each Magnetic Door Catch (B) is facing a door frame, not the Side Panel (P-4).



18. Secure the Large Door Frame Short (P-3) using 4 Screws (A5) as shown in illustration # 7.



19. Attach Wood Base (P-1) to the Large Door Frame Short (P-3) and the Large Door Frame Tall (P-2) using 4 each Dowels (E) and 4 each Screws (A5) as shown in illustration #8.

(DO NOT tighten until all 4 are installed.)

Tighten Screws using Allen Wrench (T).

Illustration # 8

Missing Parts or UPS Damaged Parts
For Your Convenience you can
EMAIL us at
furniture@baltinc.com
24HOURS 7 DAYS A WEEK

20. Carefully rotate unit 180 degrees so that the Large Door Frame Tall (P-2) is facing up. Secure the Large Door Frame Tall (P-2) using 4 Screws (A5) as shown in illustration # 9. Tighten Screws using Allen Wrench (T).

21. Attach Metal Base (P-17) to the Wood Base (P-1) using 6 screws (A4) as shown in illustration #9.

22. Attach 2 Locking Plate Casters (C) and 2 Plate Casters (D) to the Metal Base (P-17) using 16 screws (A1) as shown in illustration #9.

Illustration # 9

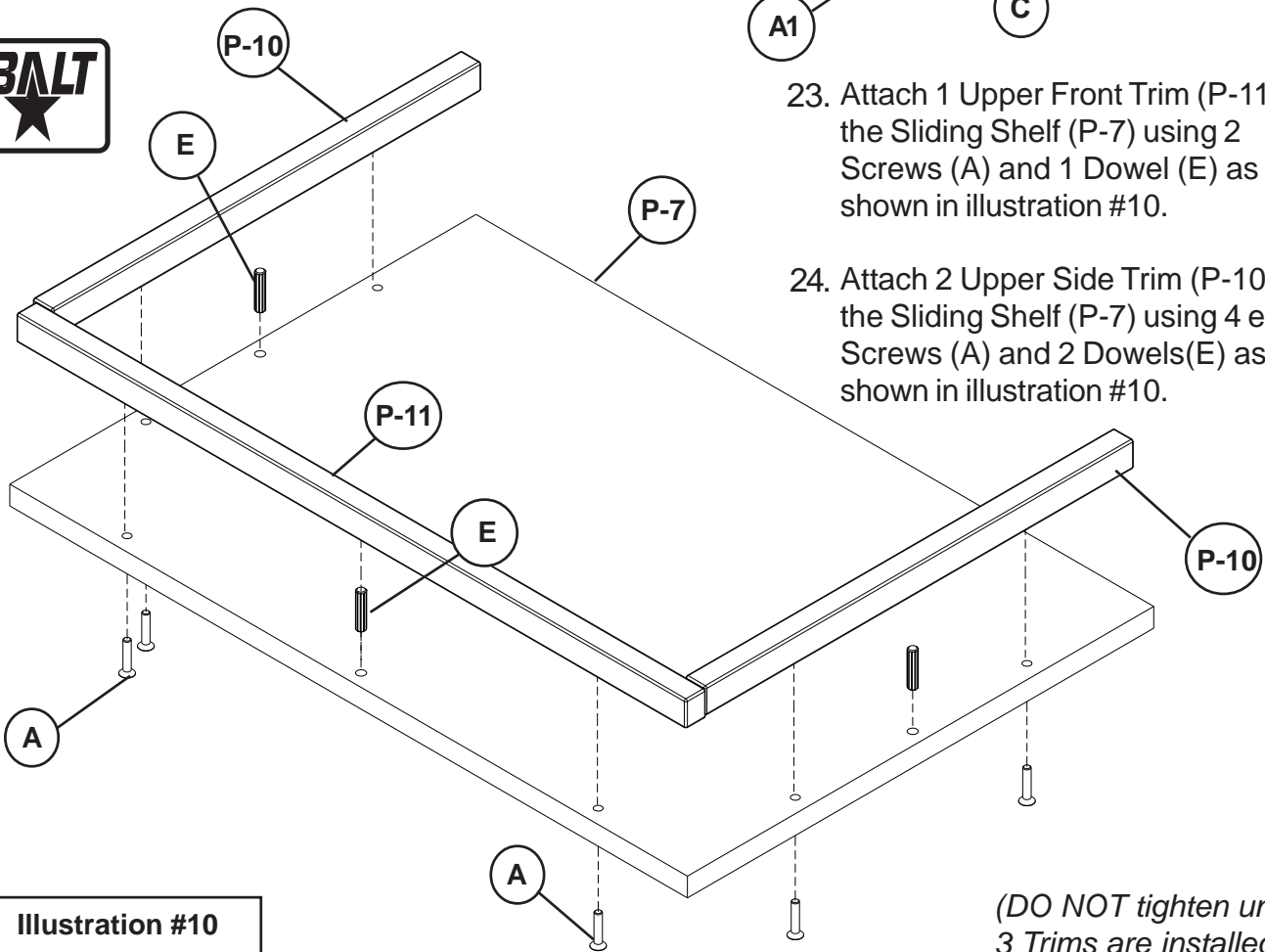
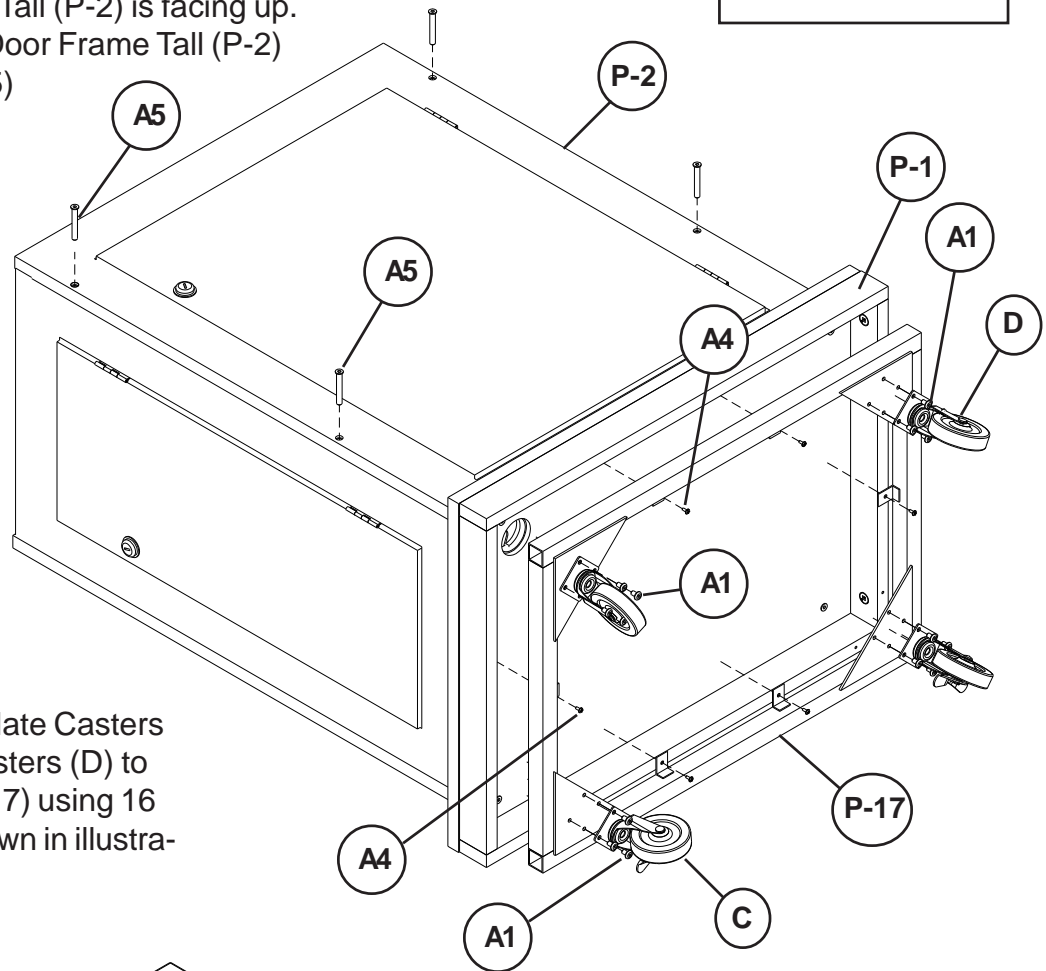


Illustration # 10

23. Attach 1 Upper Front Trim (P-11) to the Sliding Shelf (P-7) using 2 Screws (A) and 1 Dowel (E) as shown in illustration #10.

24. Attach 2 Upper Side Trim (P-10) to the Sliding Shelf (P-7) using 4 each Screws (A) and 2 Dowels (E) as shown in illustration #10.

(DO NOT tighten until all 3 Trims are installed.)

Illustration # 11

25. Attach 1 Lower Front Trim (P-9) to the Sliding Shelf (P-7) using 2 each Screws (A) and 2 Dowels (E) as shown in illustration #11.
(Tighten all Screws)

26. Attach 2 Slide Supports (P-14) to the Sliding Shelf (P-7) using 4 Screws (A) and 4 Dowels (E).
(Tighten all Screws)

27. Insert 1 each Lock Cylinder (G) through the Lock Plate (J) and the hole in the Large Door Frame Tall (P-2) as shown in illustration #12. Secure Lock Cylinder (G) using the Lock Washer (L) and the Lock Hex (M). (FINGER TIGHTEN ONLY.)

28. Slide Lock Ring (K) and Lock Retainer (H) over the square end of Lock Cylinder (G). Secure using the 1/4" Phil Head Lock Screw (A2). Before tightening the Lock Hex (M), Insert the Key (N) and turn lock. Be sure that Lock Retainer (H) turns 90 degrees and points up.
(TIGHTEN LOCK HEX (M)).

29. Attach 2 Folding Shelf Bracket (P-15) to the Side Panel (P-4) using 6 Screws (A3) as shown in illustration #12.

30. Attach Sliding Shelf (P-7) to the Left and Right Shelf Slide (P-12 & P-13) using 4 Screws (A3).

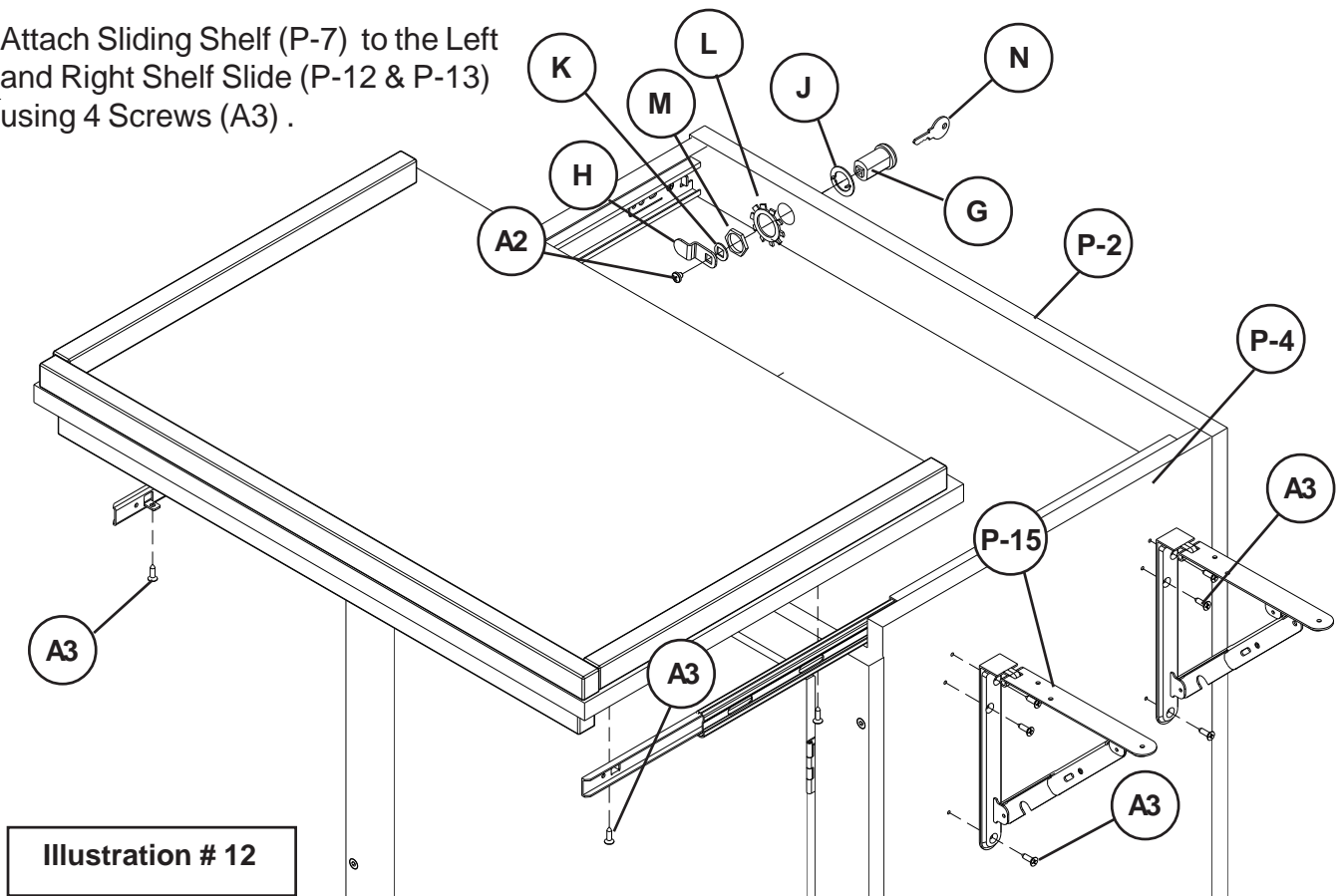
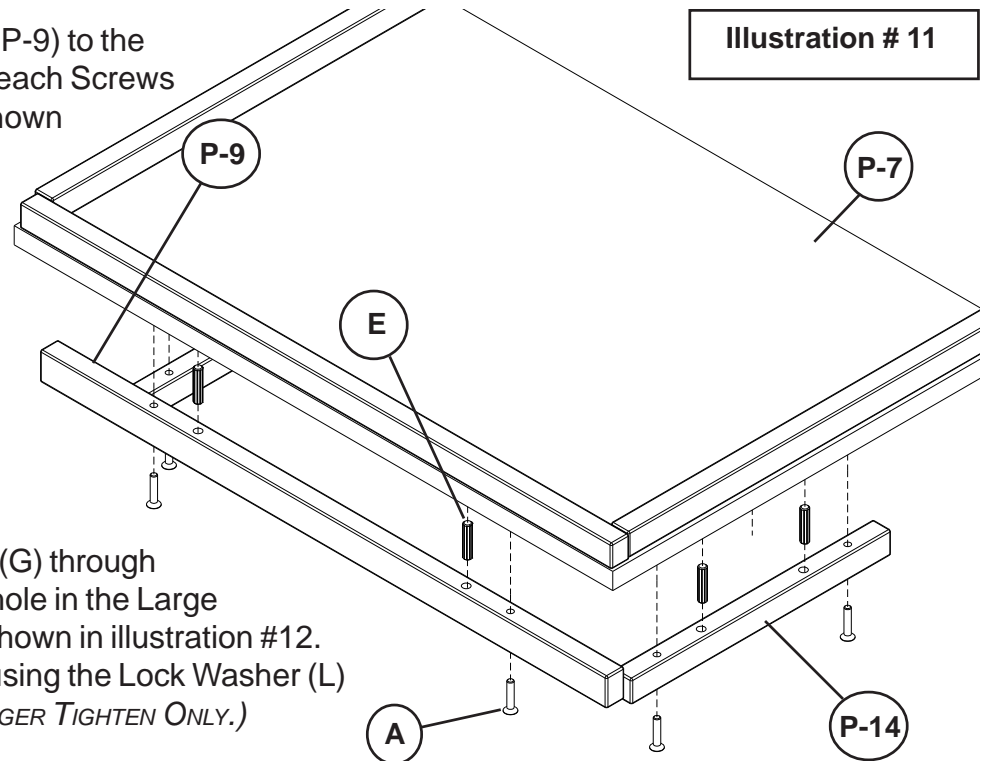
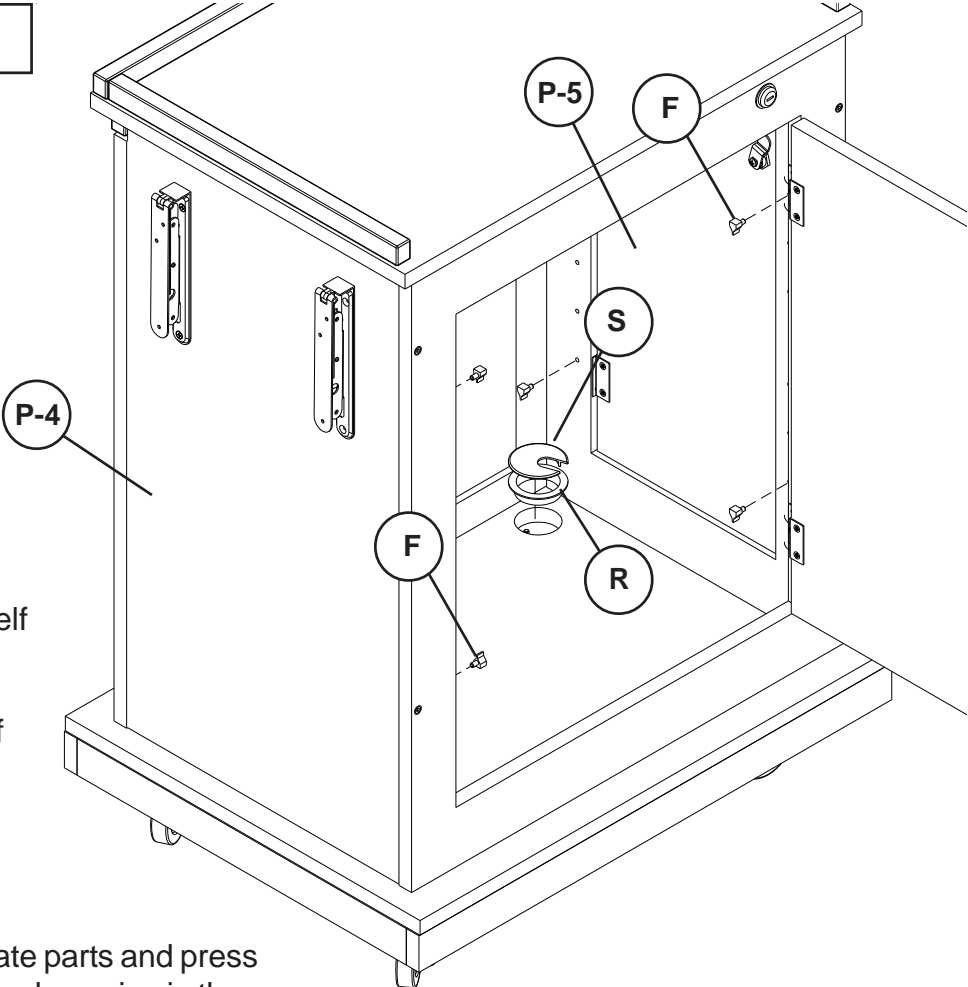


Illustration # 12

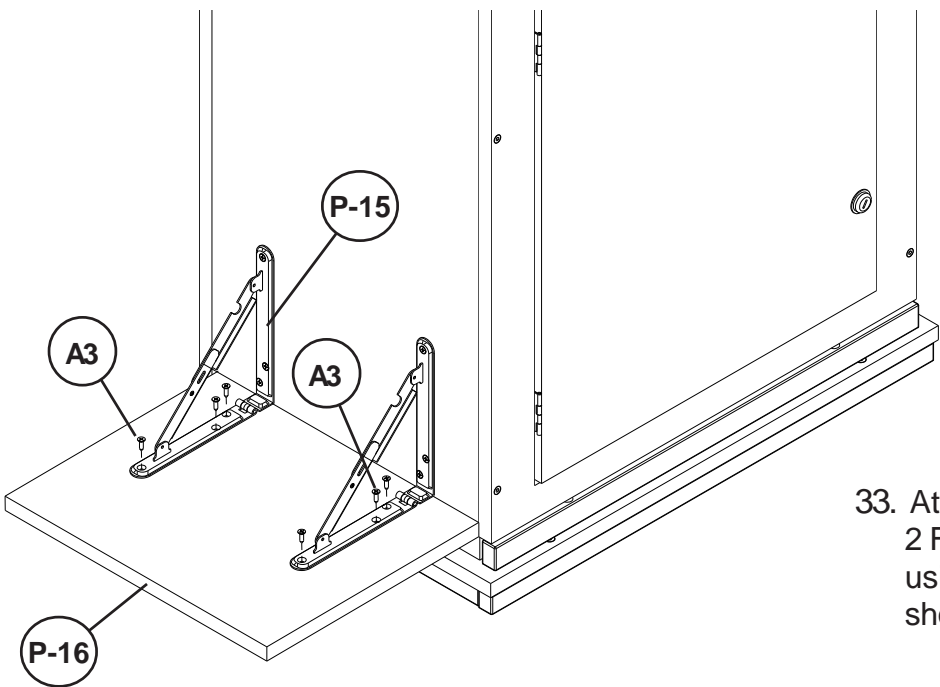


Illustration # 13



31. Insert 8 Shelf Support Pins (F) in the Side Panel (P-4) & the Side Door Frame (P-5) at desired shelf heights as shown in illustration #13. Be sure that flat surface of Pin is facing Up.

32. To install Grommet, separate parts and press Grommet Sleeve (R) in round opening in the Base (P1) as shown in illustration #13. Snap plastic Cap (S) over the top of Sleeve.



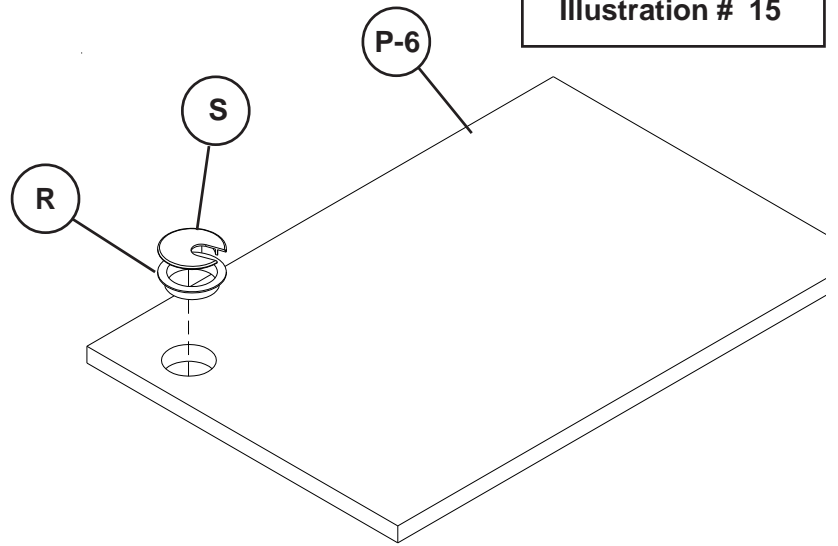
33. Attach Folding Shelf (P-16) to the 2 Folding Shelf Brackets (P-15) using 6 short screws (A3) as shown in illustration #14.

Illustration # 14

Illustration # 15

34. Place Removable Shelf (P-8) on flat surface. To install Grommet separate parts and press Grommet Sleeve (R) in round opening in as shown in illustration #15.

35. Snap plastic Cap (S) over top of Sleeve as shown in illustration #5.



36. Angle Removable Shelves (P-8) slightly, and slide them through one of the large doors. Two Shelves should sit on the flat side of 8 Shelf Support Pins (F) as shown in illustration #16.

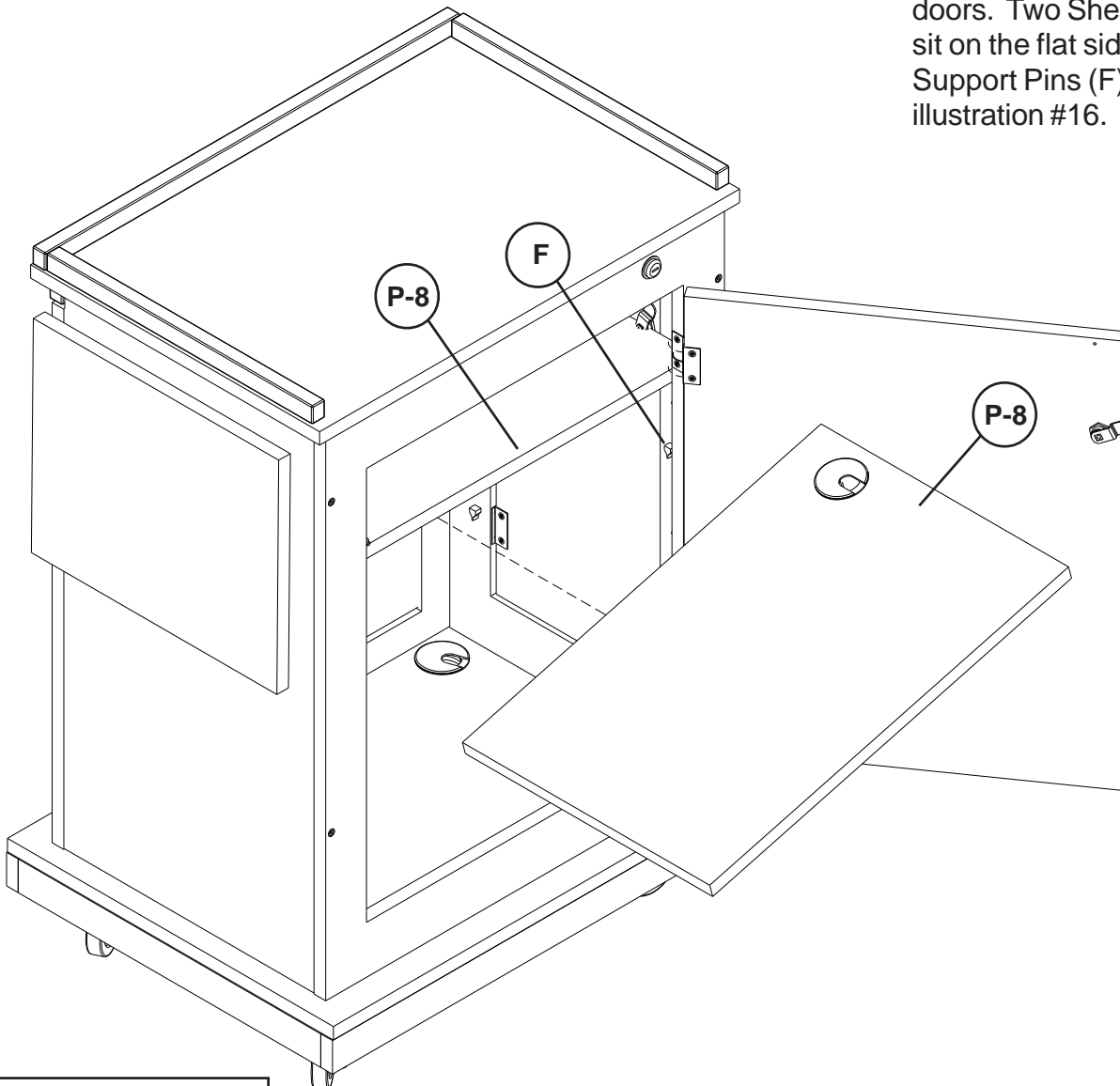


Illustration # 16