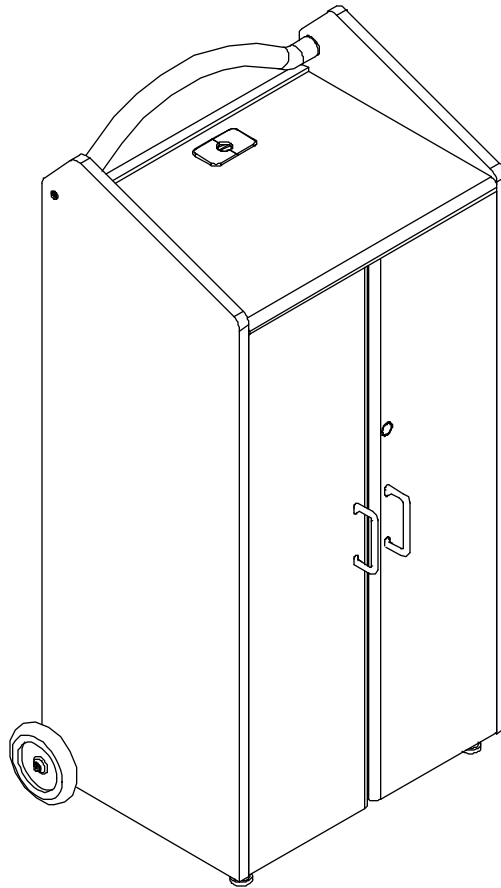


BALT[®]

ROLZ-2

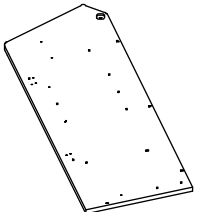


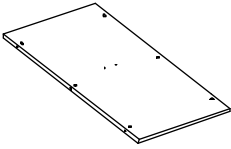
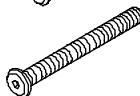
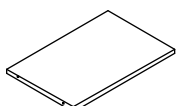

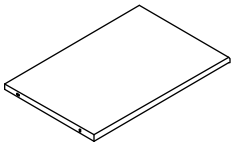

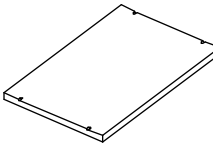

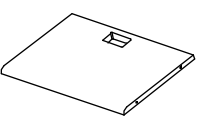

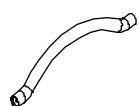

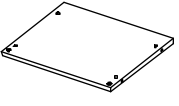

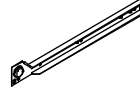
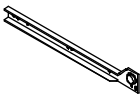

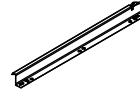

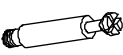
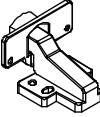
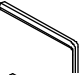

Portable AV/Conference Center



Assembly Instructions

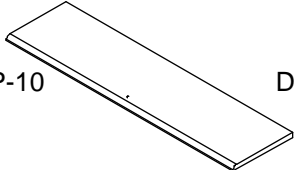
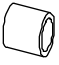



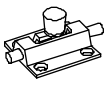
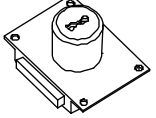

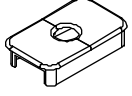

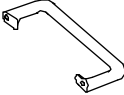

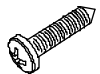
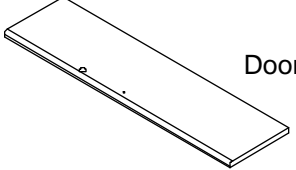
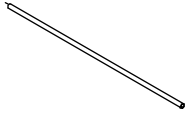
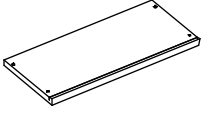
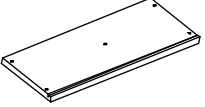
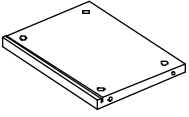
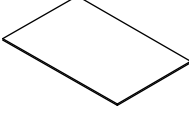
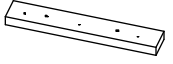
Rolz-2

Portable AV/Conference Center

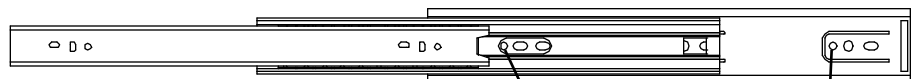
Part	Drawing	Description	Qty	Part	Drawing	Description	Qty
P-1		Left Side Panel	1 EA	Hardware List			
P-2		Right Side Panel	1 EA	A		1 1/2" Flat Head Screw	2 EA
P-3		Back Panel	1 EA	A1		2 1/2" Flat Head Screw	2 EA
P-4		Keyboard Shelf	1 EA	A2		Long Wood Screw	8 EA
P-5		Fixed Shelf	1 EA	A3		Short Wood Screw	24 EA
P-6		Removable shelf	1 EA	A4		Short Wood Screw (Pan Head For Lock/catch)	8 EA
P-7		Top Platform	1 EA	B		Keyboard Slide	2 EA
P-8		Handle	1 EA	C		Shelf Support Pins	4 EA
P-9		Bottom Panel	1 EA	D		5" Wheel	2 EA
				E		Drawer Slide(Outer-left)	1 EA
				F		Drawer Slide(Outer-right)	1 EA
				G		Drawer Slide(Inner-left)	1 EA
				H		Drawer Slide(Inner-right)	1 EA
				K		Cam Lock	26 EA
				L		Cam Post	26 EA
				M		Door Hinge	4 EA
				N		Big Allen Wrench	1 EA
				N1		Small Allen Wrench	1 EA

Rolz-2

Portable AV/Conference Center

Part	Drawing	Description	Qty	Part	Drawing	Description	Qty
P-10		Door- Left	1 EA	<p style="text-align: center;">Hardware List</p> <p>P  Wheel Spacer 2 EA</p> <p>R  Glide 2 EA</p> <p>S  Washer [1mm] 2 EA</p> <p>S1  Washer [3mm] 2 EA</p> <p>T  Door Catch 1 EA</p> <p>U  Door Lock 1 EA</p> <p>V  Key 2 EA</p> <p>W  Plastic Grommet 1 EA</p> <p>X  Drawer Knob 1 EA</p> <p>Y  Door Handle 2 EA</p> <p>Z  Screw (drawer knob) 1 EA</p> <p>Z1  Screw (door handle) 4 EA</p>			
P-11		Door - Right	1 EA				
P-12		Threaded Axle	1 EA				
P-13		Drawer Back	1 EA				
P-14		Drawer Front	1 EA				
P-15		Drawer Side	2 EA				
P-16		Drawer Bottom	1 EA				
P-17		Slide Spacer	4 EA				

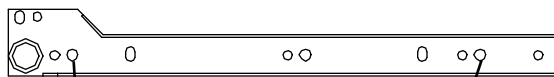
Keyboard Slide Detail



Insert Screw in this hole.

Insert Screw in this hole.

Drawer Slide Detail



Insert Screw in this hole.

Insert Screw in this hole.

ROLZ-2 Assembly Diagram



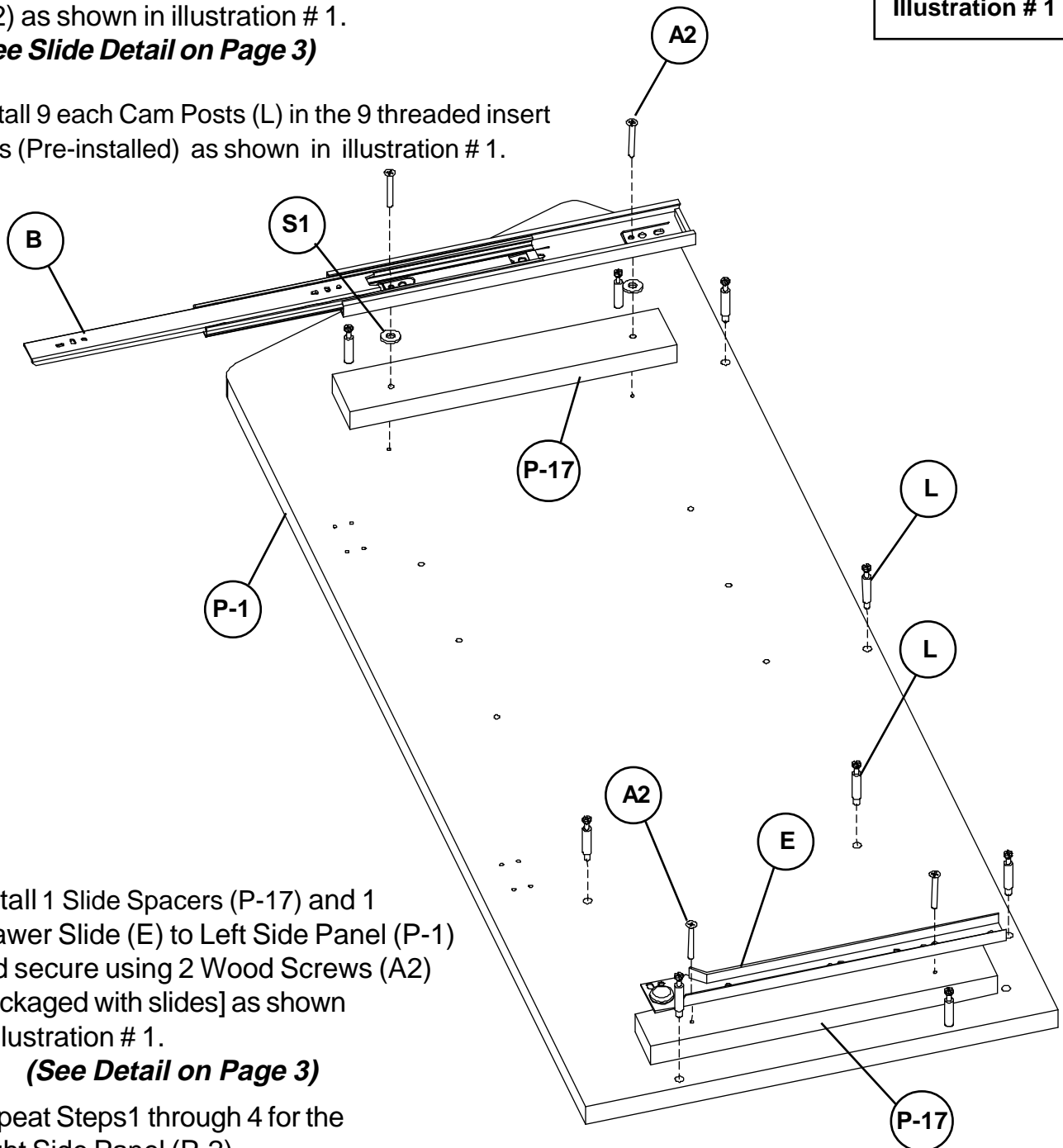
To Assemble:

1. Identify and Separate all the Parts and Hardware.
2. Place the Left Side Panel (P-1) with the Pre drilled holes facing up. Attach 1 Slide Spacer (P-17), 2 Washers (S1) and 1 Keyboard Slide (B) to Left Side Panel (P-1) and secure using 2 Wood Screws (A2) as shown in illustration # 1.

(See Slide Detail on Page 3)

3. Install 9 each Cam Posts (L) in the 9 threaded insert nuts (Pre-installed) as shown in illustration # 1.

Illustration # 1



4. Install 1 Slide Spacers (P-17) and 1 Drawer Slide (E) to Left Side Panel (P-1) and secure using 2 Wood Screws (A2) [packaged with slides] as shown in illustration # 1.

(See Detail on Page 3)

5. Repeat Steps 1 through 4 for the Right Side Panel (P-2).

6. Place the Back Panel (P-3) with the Holes facing up and install 6 each Cam Locks (K) into the large holes (Pre-installed) as shown in illustration # 2.

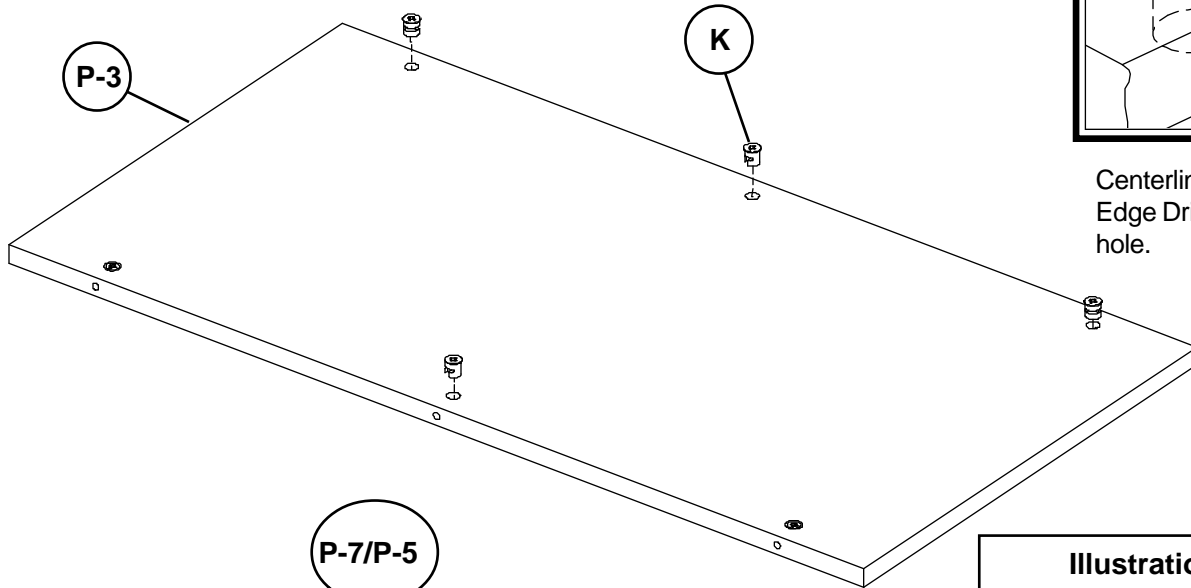


Illustration # 2

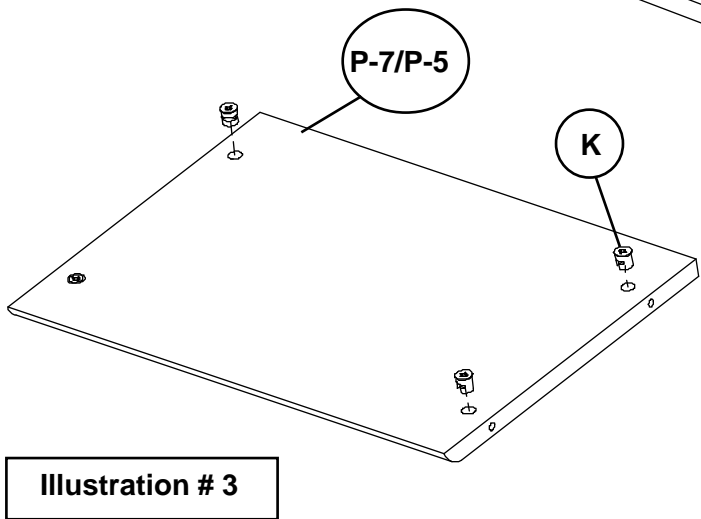


Illustration # 3

7. Place the Top Platform (P-7) and the Fixed Shelf (P-5) with the Pre-drilled Holes facing up and install 4 Cam Locks (K) into the 4 large holes in each as shown in illustration # 3.

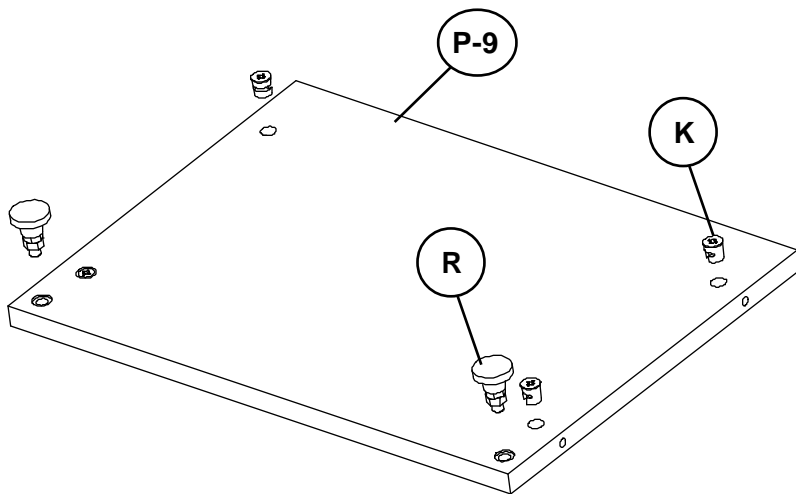
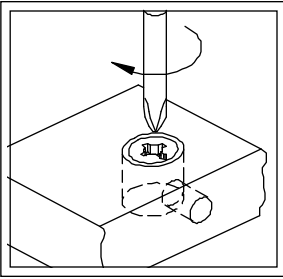


Illustration # 4

8. Place the Bottom Platform (P-9) with the Pre-drilled Holes facing up and install 4 each Cam Locks (K) into the 4 large holes.

9. Install 2 each Glides (R) as shown in illustration # 4.



To Secure Cam Locks, Insert Large Phillips Head Screwdriver and turn Cam Lock 1/4 turn (90 degrees) clockwise.

Illustration # 5

10. Attach Side Panels (P-1 & P-2) to the Back Panel (P-3), the Top Platform (P-7) the Fixed Shelf (P-5), and the Bottom Panel (P-9) as shown in illustration # 5. **SECURE ONLY THE CAM LOCKS IN THE Bottom Panel and those located at the bottom of the Back Panel** by turning the Cam Locks (L) 1/4" Turn until they lock. Those CAM LOCKS at the top of the Back Panel and in the top shelf should remain loose until after handle is assembled.

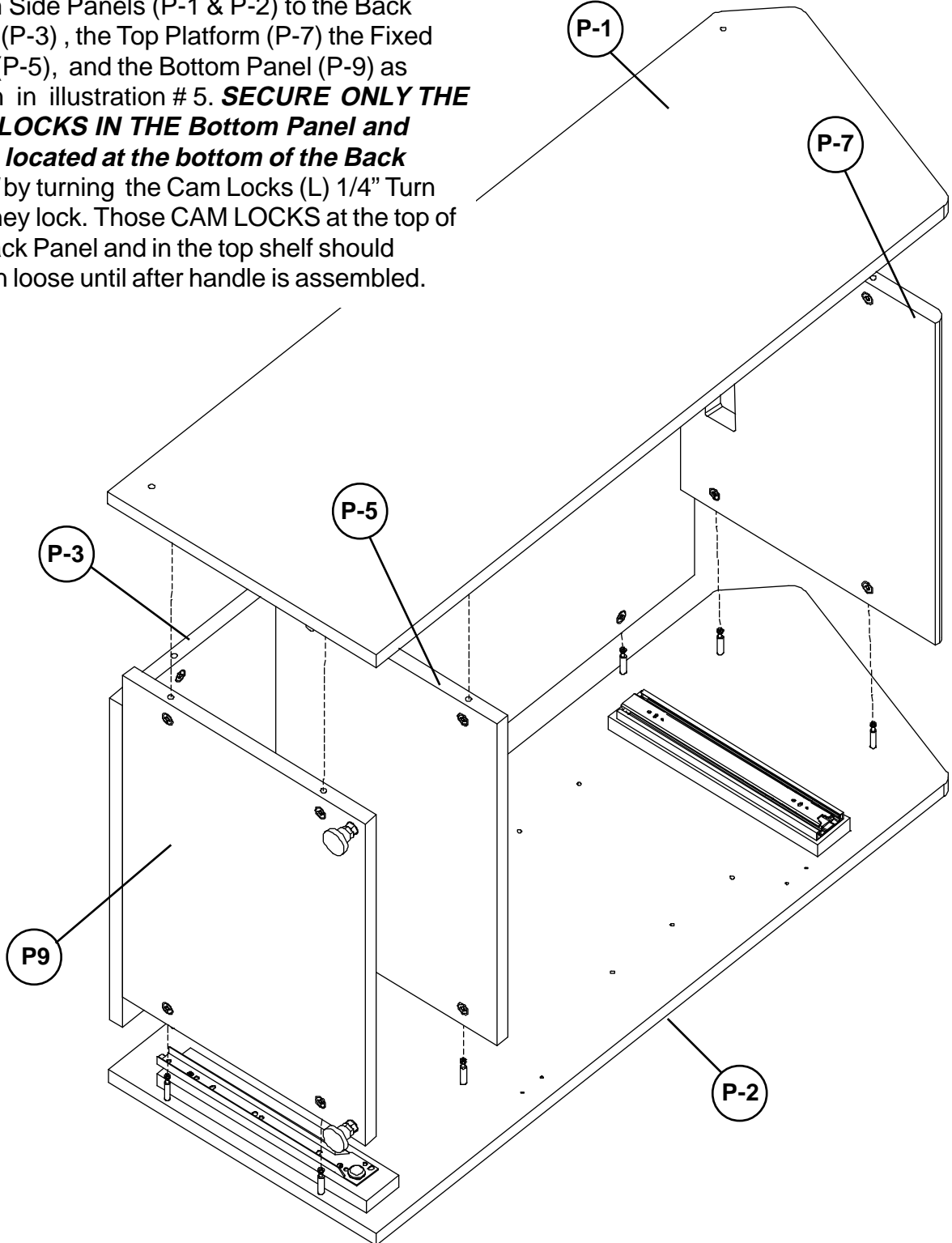
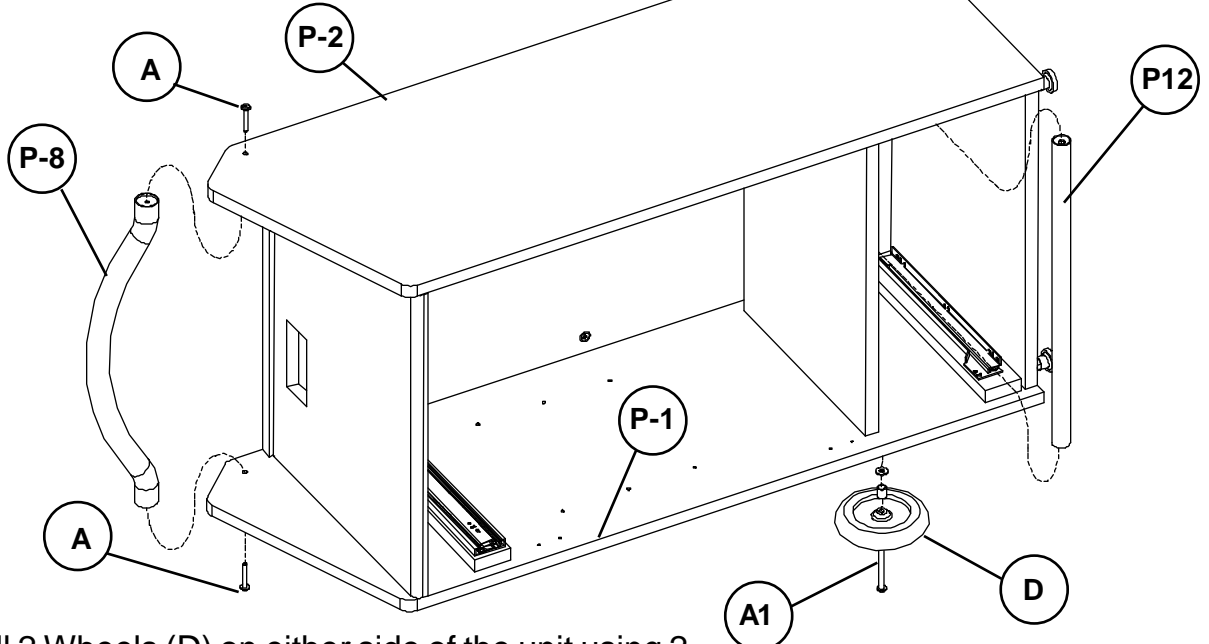


Illustration # 6

11. Attach Handle (P-8) to the Side Panels (P-1 & P-2) using 2 each Screws (A) as shown in illustration # 6. Tighten Screws (A) using Small Allen Wrench (N1). **SECURE THE CAM LOCKS** located at the top of the Back Panel and in the top shelf by turning Cam Locks (L) 1/4" Turn until they lock.



12. Install 2 Wheels (D) on either side of the unit using 2 each Long Screw (A1), 2 each spacers (P), 2 each Washers (S) and secure using 1 Threaded Axle (P-12) and Big Allen Wrench (N) as shown in illustration # 6.

- 13A. Squeeze Plastic Clip as shown by arrows in illustration # 7A to release inner keyboard slide (Squeeze up on the left side/down on the right side).

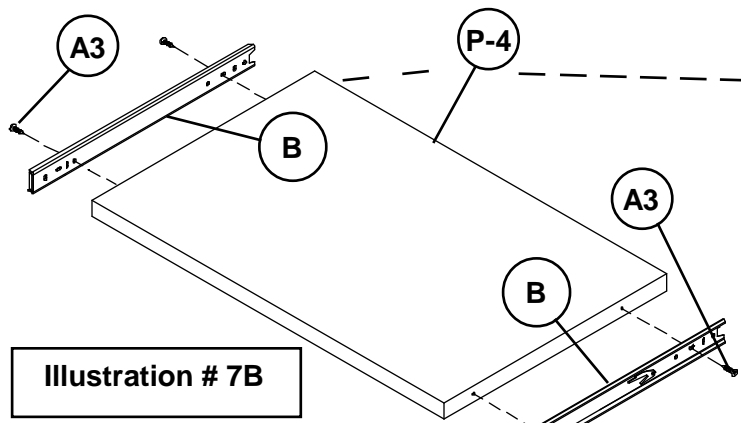


Illustration # 7A

- 13B. Attach Keyboard Shelf (P-4) to the Keyboard Slides (B) using 4 each screws (A3) as shown in illustration # 7B. [Slide Keyboard Shelf Assembly back into the Keyboard Slides.]

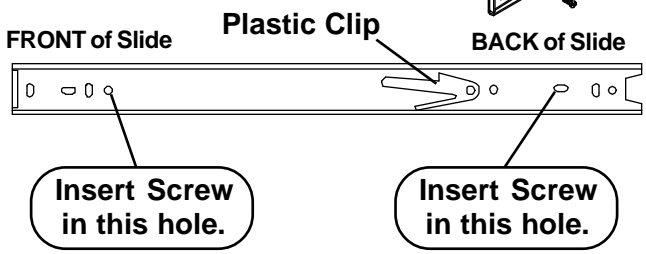
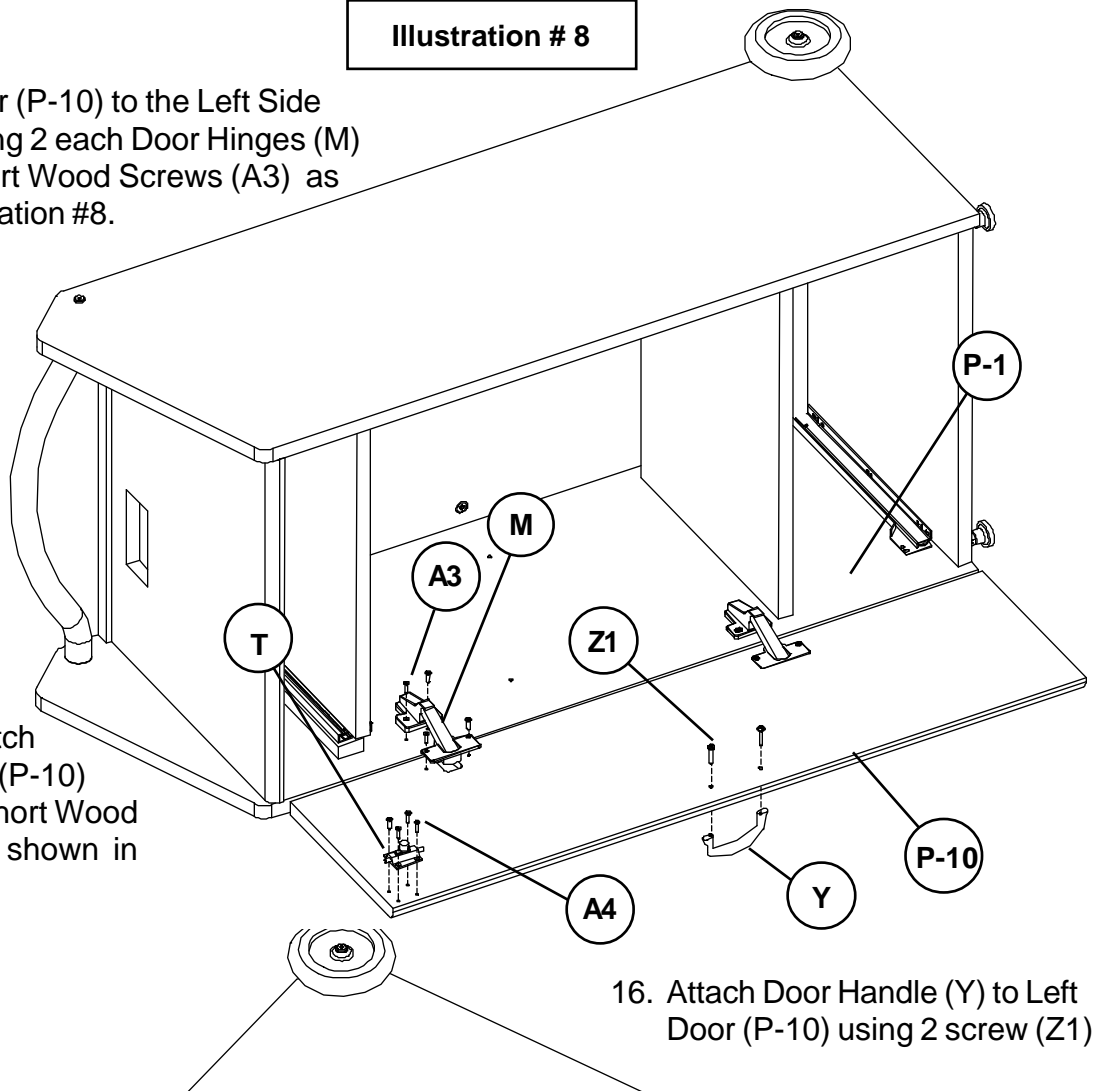


Illustration # 8

14. Attach Left Door (P-10) to the Left Side Panel (P-1) using 2 each Door Hinges (M) and 8 each Short Wood Screws (A3) as shown in illustration #8.

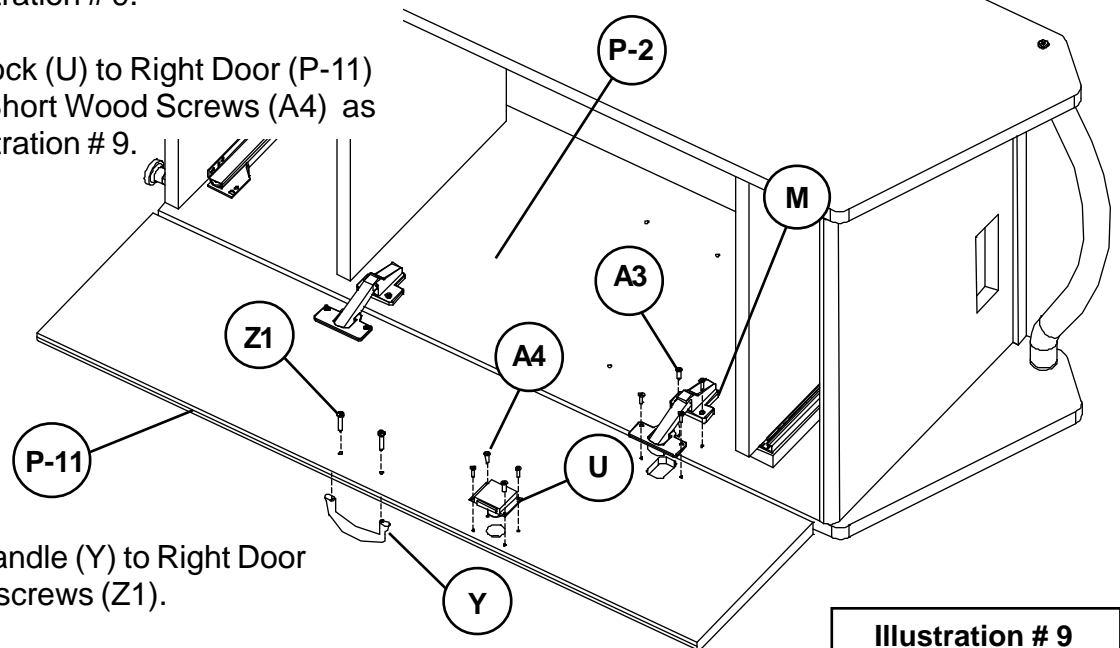


15. Attach Door Catch (T) to Left Door (P-10) using 4 each Short Wood Screws (A4) as shown in illustration # 8.

16. Attach Door Handle (Y) to Left Door (P-10) using 2 screw (Z1).

17. Attach Right Door (P-11) to the Right Side Panel (P-2) using 2 each Door Hinges (M) and 8 each Short Wood Screws (A3) as shown in illustration # 9.

18. Attach Door Lock (U) to Right Door (P-11) using 4 each Short Wood Screws (A4) as shown in illustration # 9.



19. Attach Door Handle (Y) to Right Door (P-11) using 2 screws (Z1).

Illustration # 9

20. Place the 2 Drawer Sides (P-15) with the Holes facing up and install 4 each Cam Locks (K) into the large holes (Pre-installed) in each side as shown in illustration # 10.

21. Place the Drawer Back and Front (P-13 & P-14) with the Predrilled holes facing up and install 4 each Cam Posts (L) in the 4 threaded insert nuts (Pre-installed) as shown in illustration # 11.

Illustration # 10

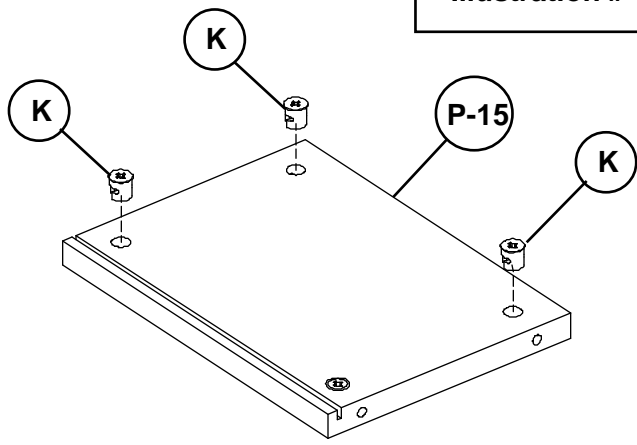
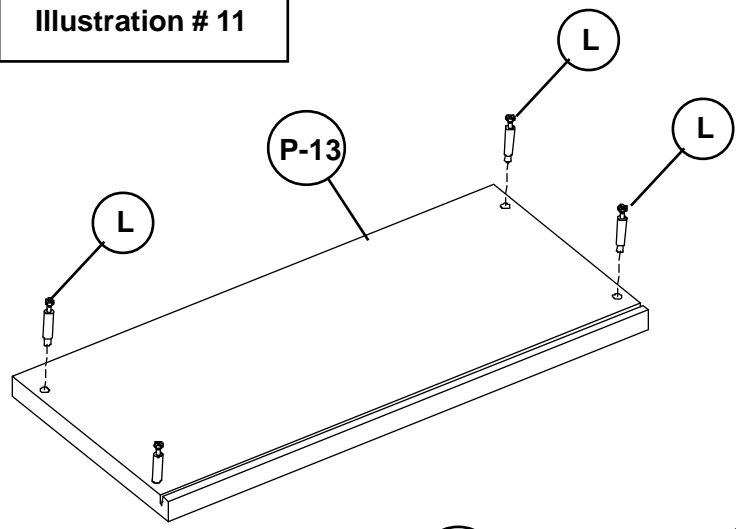


Illustration # 11



22. Attach the Drawer Back (P-13) to the Drawer Sides (P-15) and secure by turning the Cam Locks (K) 1/4 Turn until they lock. as shown in illustration # 12.

23. Slide the Drawer Bottom (P-16) into the slot as shown in illustration # 12.

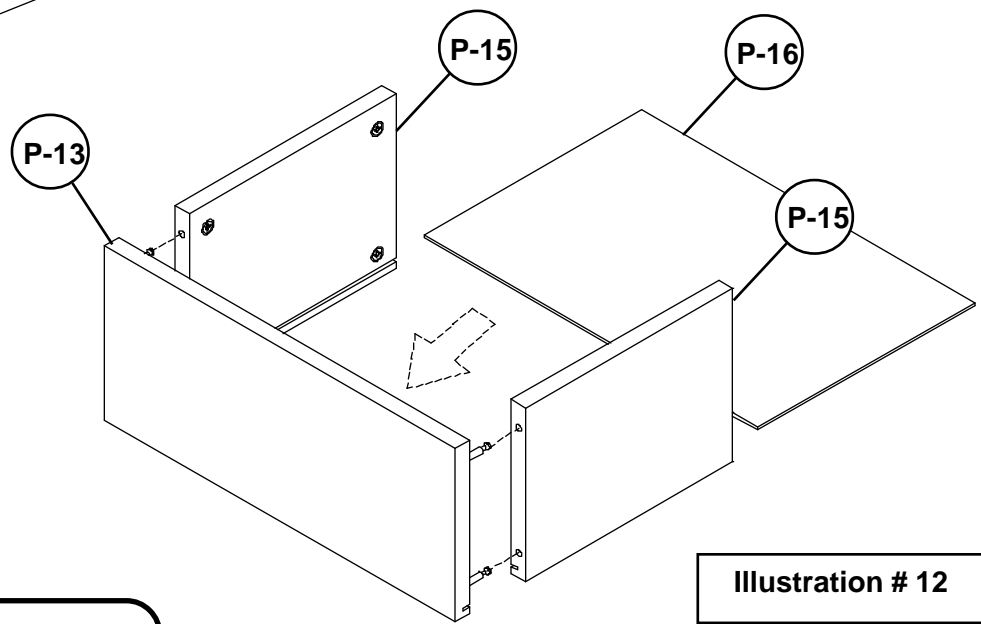


Illustration # 12

Do not use unless all screws are tight. At least every six months, check all screws to be sure they are tight. If parts are missing, broken, damaged, or worn, stop use of the product until repairs are made by your dealer using factory authorized parts.

Should you require assistance during assembly, please call our Customer Service Department
Monday - Friday 8 a.m. - 5 p.m.
Central Standard Time
Toll-Free Customer Service
1-800-749-2258

Illustration # 13

- 24. Attach the Drawer Front (P-14) to the Drawer Sides (P-15) and secure by turning the Cam Locks (L) 1/4 Turn until they lock. as shown in illustration # 13.
- 25. Attach Drawer Knob (X) to Drawer Front (P-14) using 1 screw (Z).

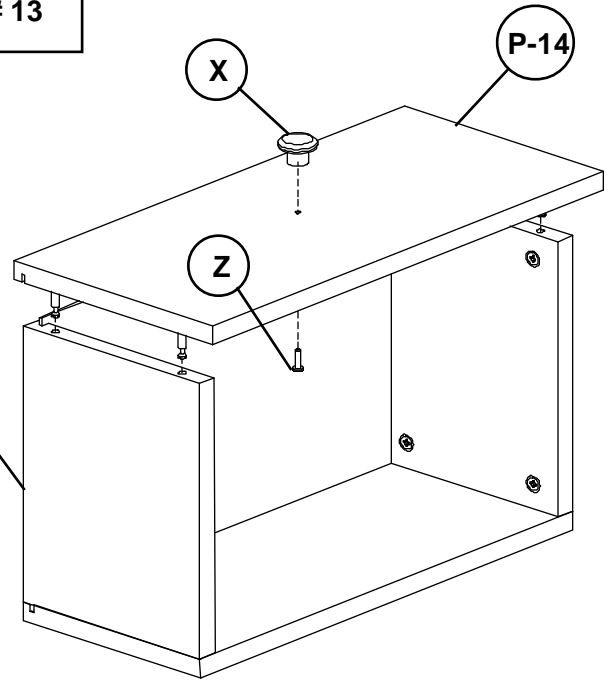
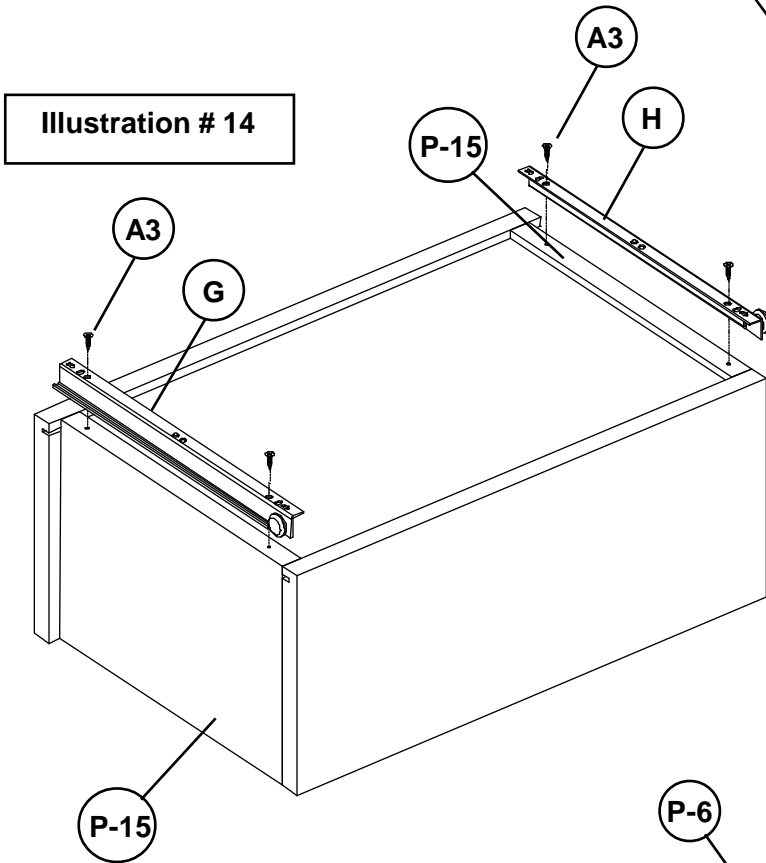
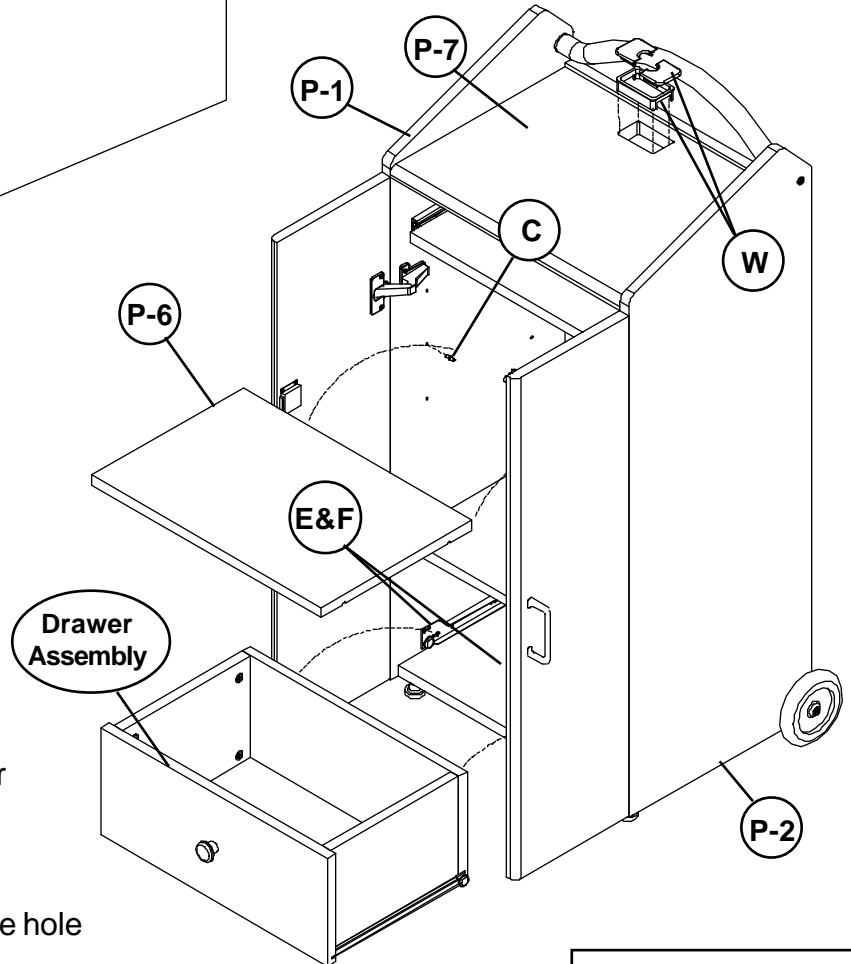


Illustration # 14



- 26. Attach the Left and Right Drawer Slides (G & H) to the Drawer Sides (P-15) and secure using 4 each screws (A3) as shown in illustration # 14.

- 27. Place 2 Shelf Support Pins (C) in each of the two Side Panels (P-1 & P-2) at desired shelf height. Place Removable Shelf (P-6) on four Shelf Support Pins.



- 28. Insert Drawer Assembly in Drawer Slides (E & F) as shown in illustration # 15.
- 29. Insert Plastic Grommet (W) into the hole in the Top Shelf (P-7) as shown in illustration # 15.

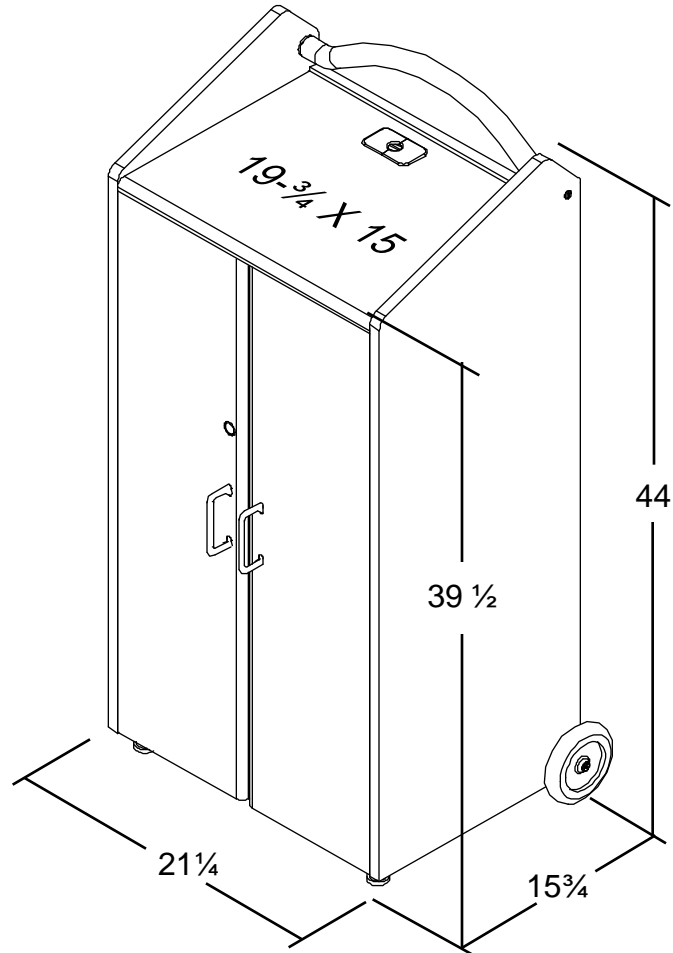
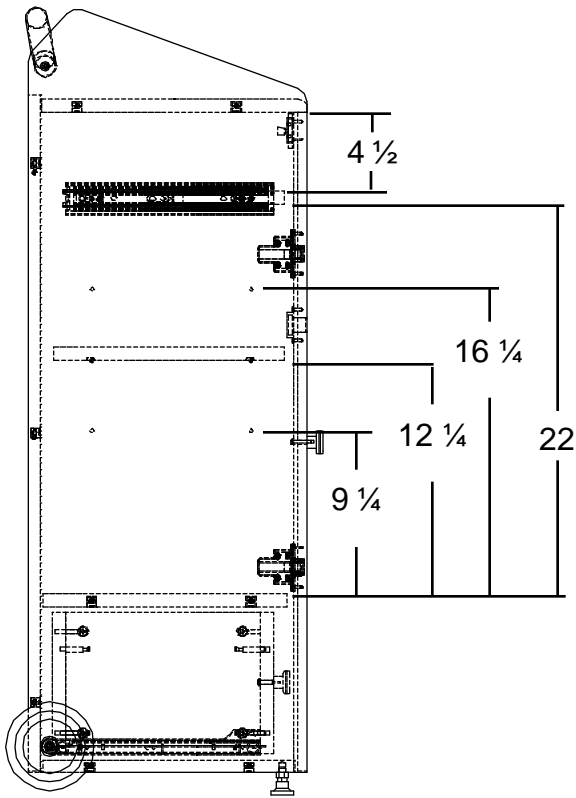
Illustration # 15

Rolz-2

Portable AV/Conference Center



For more information
1-800-749-2258



Shipping Information
4.2 Cubic Feet
92 lbs.

