

# Mousetrapper Flexible



## Mousetrapper Flexible USP

1. Wireless ergonomic mouse alternative
2. Range 10 meters / 33 feet
3. Wireless USB 2,4 GHz
4. Battery time approx. 32 hours in uninterrupted active mode. Rechargeable battery.
5. Sleep mode with 3 levels in order to save battery time
6. Resolution 1,500 dpi
7. Surface coated with rubber paint
8. 9 buttons that are programmable via MTKeys software
9. An unlimited number of profiles can be programmed via MTKeys software
10. Cursor speed can be set via MTKeys software
11. Soft case in neoprene included
12. Portable. Takes up little space in a bag or briefcase.
13. Easy to carry. Weighs only 290 g / 10.2 oz

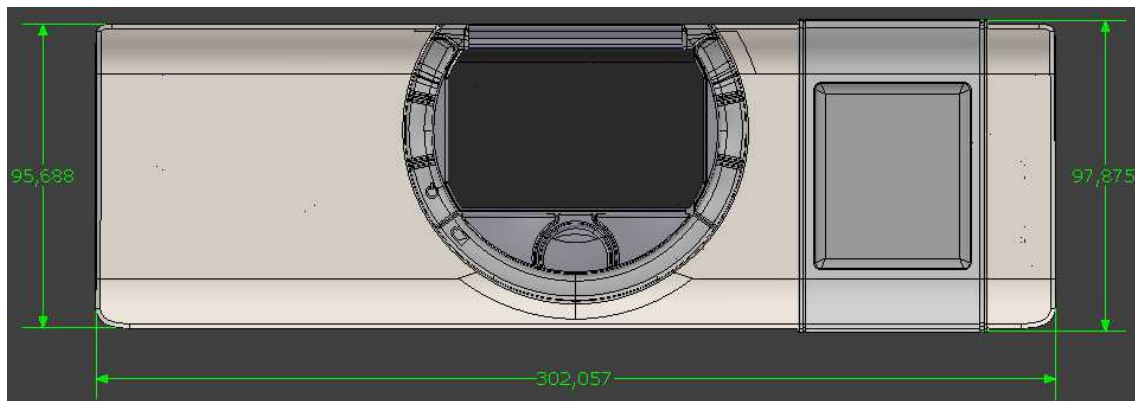
## Facts

- Product name: Mousetrapper Flexible (black), Color: black, Article no. SMT507
- Product name: Mousetrapper Flexible (white), Color: white, Article no. SMT505
- Compatible with Windows 98 SE, ME, 2000, Vista, Win 7 and Mac OSX
- USB
- Plug and play
- Wireless (RF)
- Resolution 1500dpi
- 2,4GHz digital wireless USB
- 20 units in a carton

## Measurements

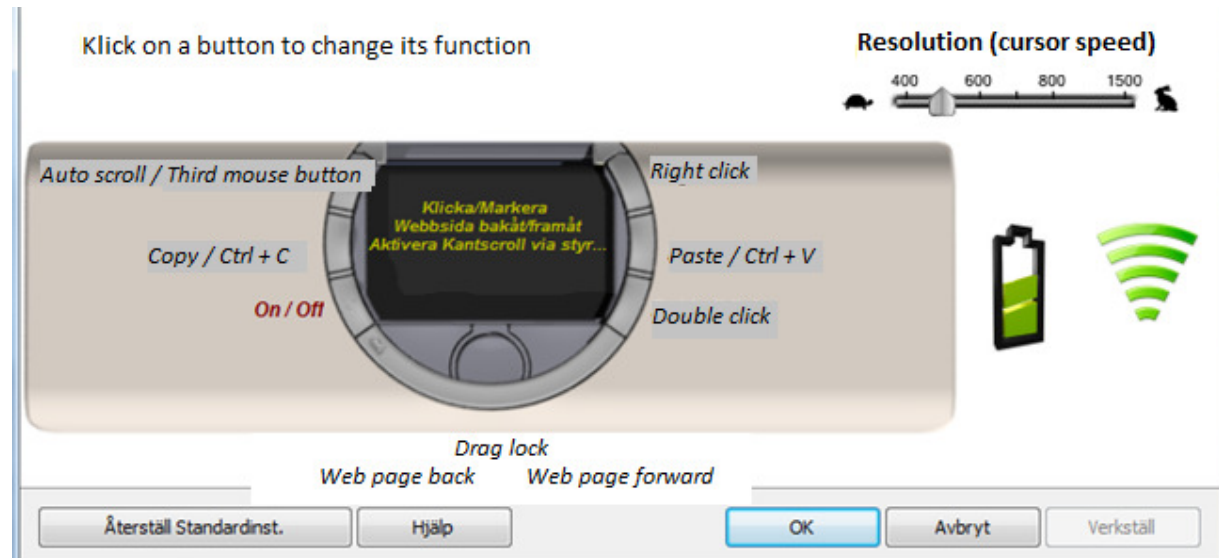
Product: Height: 19 mm / 0.75 in, Width: 300 mm / 7.5 in, Depth: 95 mm / 3.74 in, Weight: 295 g / 10.2 oz

Box incl. product: Height: 40 mm / 1.57 in, Width: 340 mm / 13.39 in, Depth: 130mm / 5.12 in, Weight: 535 g / 18.87 oz. (incl. product, box and accessories)



## Buttons and Functions

The Mousetrapper Flexible has 9 function buttons, one of which is a programmable on/off button. As on earlier models, the pad has click and scroll functions. The cursor speed can be adjusted by a control in the MT keys software.



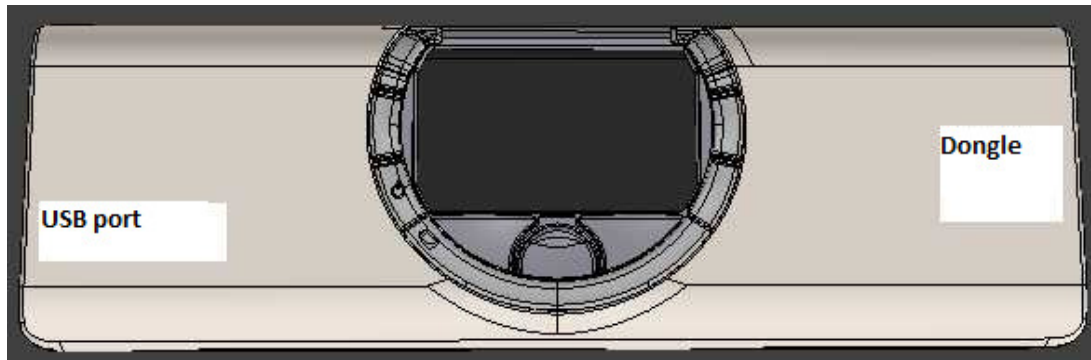
The functional software MTKeys is available for PC and Mac. Download is available at [www.mousetrapper.com](http://www.mousetrapper.com).

There is a ridge between the buttons which prevents two buttons being pressed at one time, thus avoiding dual commands.

## Other Functions

### USB port

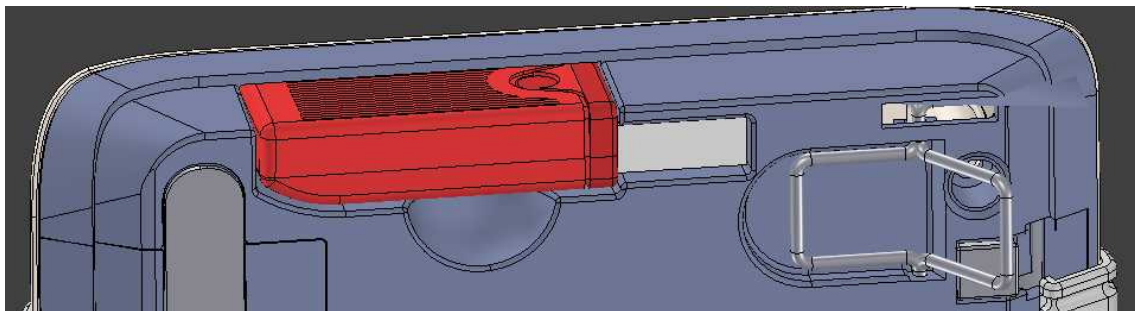
The USB port is located on the left side of the device. As on earlier models the cord features a USB connector at one end and a mini USB connector at the other.



This image shows the placement of the dongle (USB receptor) and USB on the device viewed from the top. The USB receptor is located in a compartment on the right hand side of the device. The device is delivered with a USB receptor which has been matched to the individual unit. If the USB receptor is lost, a new receptor can be matched to the unit.

### Wireless feature

The Mousetrapper Flexible features a radio transmitter (RF) which transmits signals to a receptor in the computer. The USB receptor must be connected to a USB port in the computer, after which the computer and the Mousetrapper will be able to communicate.



The range of the radio transmitter is approx. 10 meters / 33 feet.

## **Battery**

- the device comes with chargeable batteries installed
- the device comes with a cord for charging
- the device is charged by connecting the cord to a USB port on the computer
- the battery time is approx. 32 hours in uninterrupted active mode
- the battery lasts for approx. 1,5 – 2 months at normal use (30 – 60 minutes per day)
- the battery has a charge of 700 mill ampere-hours
- in order to spare the battery, the device will automatically switch to sleep mode when not in use

## **Sleep**

- after 7 seconds the device switches its first power saving mode and consumes less power
- after 20 seconds the device switches to its second power saving mode, in which it consumes even less power
- After 420 seconds (5 minutes) the device switches to sleep mode, from which it takes the device 0.7 seconds to restart.
- the device always switches to power saving mode in order to save battery time

## **Reinforced interior**

The interior of the device will be reinforced to allow users to drop it without it immediately breaking.

## **Accessories**

- Forearm supports to the Mousetrapper Flexible are available.