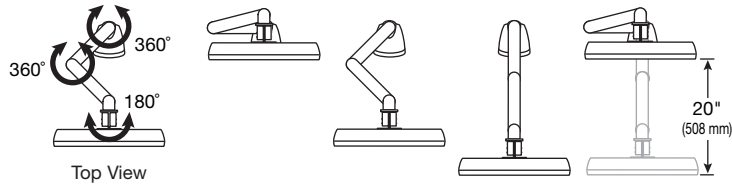


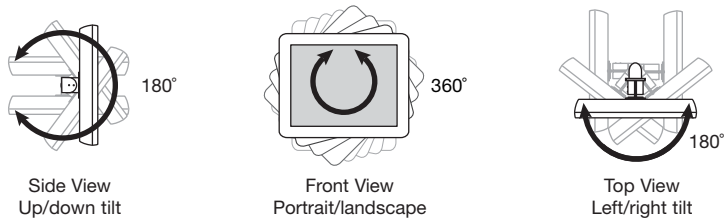
### fixed height pivots and extensions

#### Rotation...

- Telescopic motion

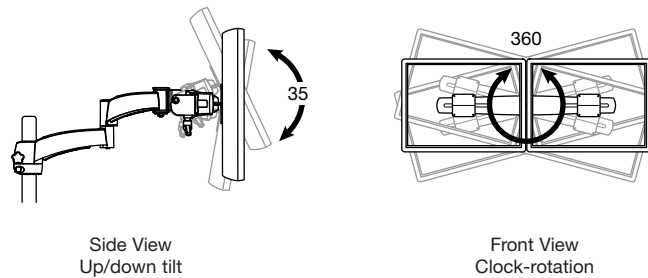


#### Monitor Pivot...

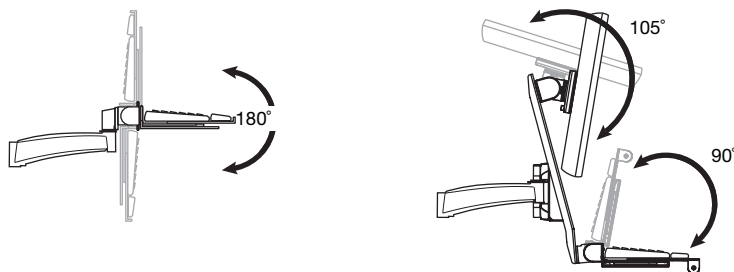


#### Bow Pivot...

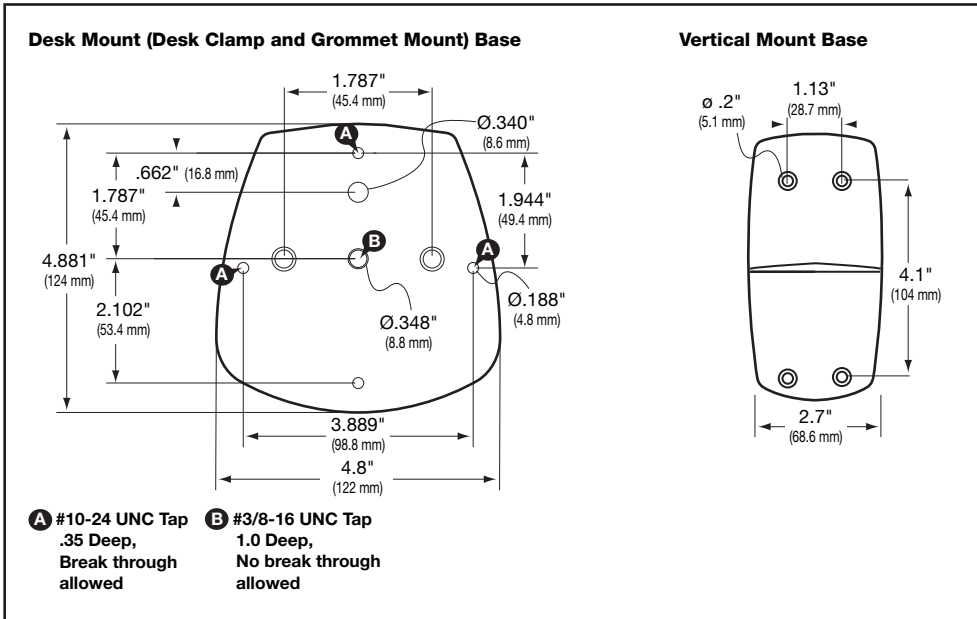
- Up/down tilt controlled by adjustment lever: +25°/-10°
- Portrait/landscape motion available with single-arm configurations only



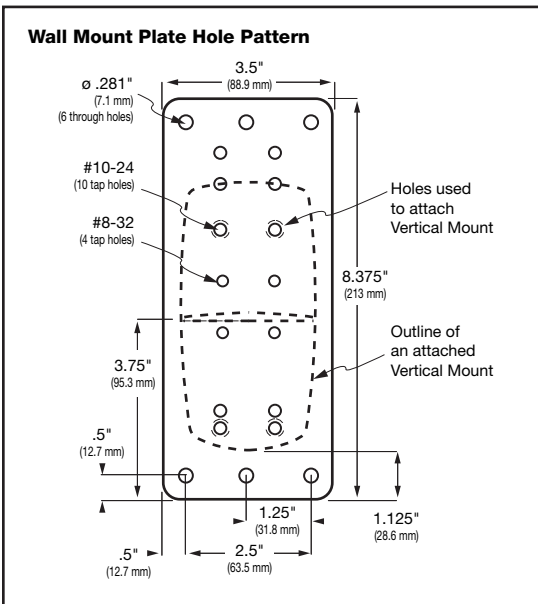
#### Keyboard/Laptop and Combo Pivots...



200 SERIES



WALL MOUNT PLATE



**TABLE A: Weight Capacity When Adding Extensions**

When adding Extensions to a 200 Series system, use the formula below to calculate the maximum allowable load:

**D x L = maximum inch-lbs (not to exceed 900)**

Distance (D) = The measurement in inches on a horizontal plane from the center-line of the mounting bracket to the center-of-gravity (C/G) of the monitor.

Load (L) = The weight in pounds of the monitor.

**Example:**

Monitor weighing 25 lbs using three 9" Extensions and a Single Pivot with P/L.

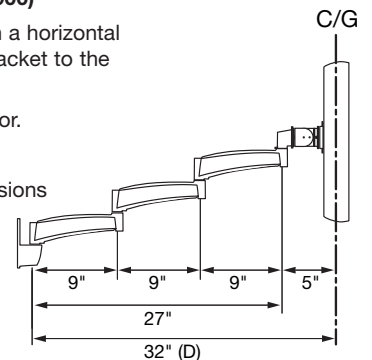
Therefore:

$D = (3 \times 9") + 5" = 32"$

$L = 25 \text{ lbs}$

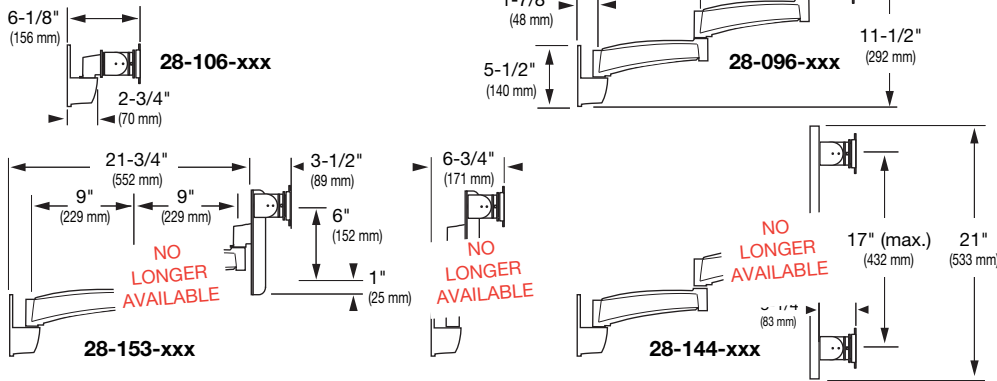
$32" \times 25 \text{ lbs} = 800 \text{ inch-lbs}$

As 800 is less than 900, your component can be used in this configuration.

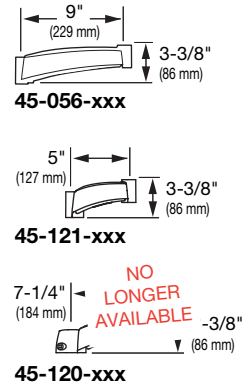


200 SERIES

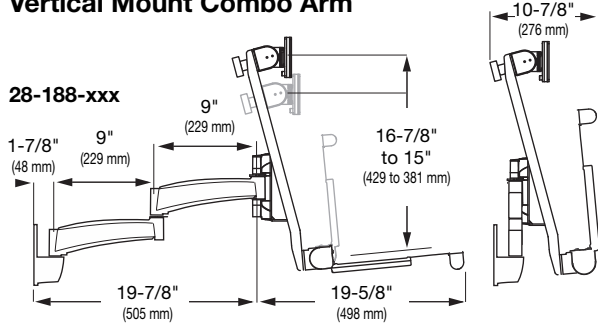
**Vertical Mount Monitor Arms**



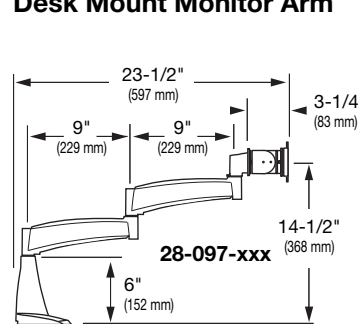
**Extensions**



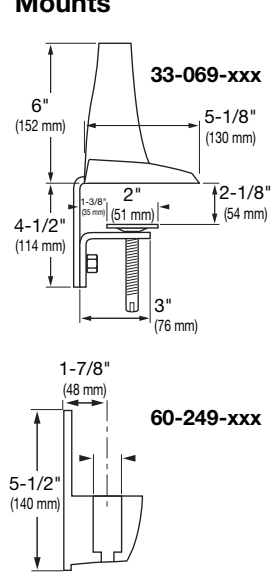
**Vertical Mount Combo Arm**



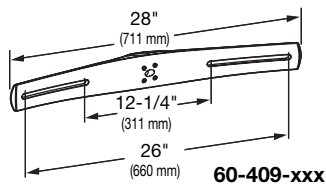
**Desk Mount Monitor Arm**



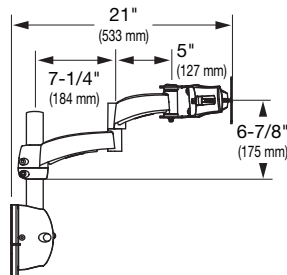
**Mounts**



**Crossbar**



**Miscellaneous Slatwall Config.**



**Attention:**

Listed allowable widths assume monitor thickness is 4" (102 mm). If monitor thickness is less, allowable width may be more. Contact Ergotron for details.

200 Series Pre-configurations that use Crossbars come standard with Sliding Pivots (i.e., without P/L).

**Available Monitor Widths Using Crossbars**

Number of Monitors (Horizontal Crossbar)	Sliding Pivots Allowable Monitor Width*	Single Pivots w/ P/L Allowable Monitor Width*
Dual-Monitor (28" Crossbar)	23-1/4" (590 mm)	23" (584 mm)
Triple-Monitor (46" Crossbar)	20" (508 mm)	19-1/2" (495 mm)
Triple-Monitor (55" Crossbar)	24-1/2" (622 mm)	24" (609 mm)
Quad-Monitor (55" Crossbar)	16" (406 mm)	15-1/2" (393 mm)

\* Width refers to monitor's physical outside dimension – not screen size.

