



Highlights

- *Constant Force (CF) patented lift-and-pivot motion technology produces smooth adjustment*
- *Transform any space into a media platform*
- *20" (508 mm) of effortless height adjustment*
- *Easily connect and detach display*
- *Easy tilt of screen helps to reduce glare*
- *5 year warranty, rugged construction*
- *2007 CES Design & Engineering Award*



Ergotron® LX

Large Display Cart



Transform any space into a media center

The height-adjustable Ergotron LX Large Display Cart provides the flexibility to move the display to the audience—transforming any space into a presentation room. The LX Cart can serve multiple room projection needs—avoiding the purchase of multiple large displays and wall-mount installations. Conference rooms, lobbies, offices and other digital signage applications all can benefit from this ergonomic mobile solution.

With 20 inches of effortless height and tilt adjustability, the LX Cart provides the best ergonomically correct positioning of the display for both seated and standing audiences. Now anyone at the office or at home can adjust the height and tilt of a screen.

- Conveniently enables you to bring your display to the audience
- CF™ technology enables smooth, light touch motion
- Counterbalancing technology eliminates need for knobs and levers
- Aesthetically appealing for home or office use
- No professional installation required



Patented CF lift-and-pivot motion technology produces smooth lift and tilt adjustment—allows extremely low user-force to move display.



20" height range (50.8 cm) for positioning display from 39.25–59.25" from the floor.

No knobs or levers are used to activate the tilt motion or hold the position of display!

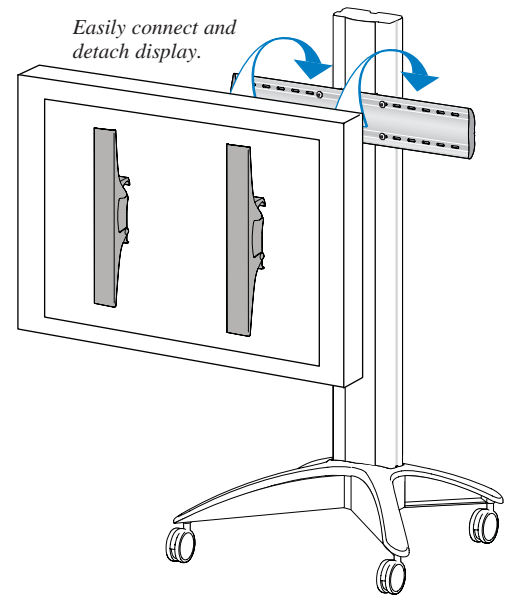
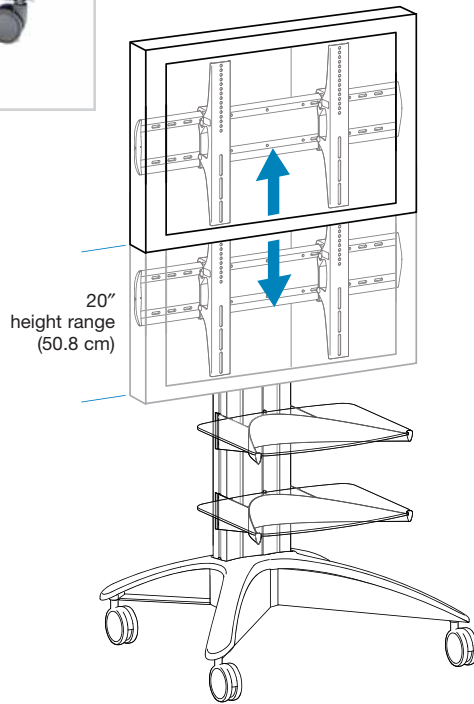
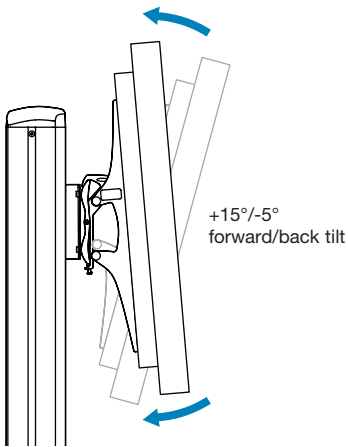
Two adjustable, removable glass shelves.

Includes 4" locking casters.



Easy installation: attach two mounting brackets to back of large display.

Range of Motion



Basic Specifications

Description: LX Large Display Cart

24-173-194 (silver) for 60–90 lbs display (VHD)
24-176-194 (silver) for 90–130 lbs display (UHD)

Weight (without package): Approx. 85 lbs (38.6 kg)

Shipping Weight: VHD approx. 117 lbs (53.07 kg)
UHD approx. 118.5 lbs (53.75 kg)

Warranty: 5 years

Display Interface Options:

Will mount to most large displays based on the mounting hole spacing range below:

- Horizontal—100 mm (min.) to 750 mm (max.)
- Vertical—100 mm (min.) to 450 mm (max.)

© 2007 Ergotron, Inc. rev. 01/10/2007 870-05-059-EA Content is subject to change without notification.

Americas Sales and Corporate Headquarters

St. Paul, MN USA
(800) 888-8458
+1-651-681-7600
www.ergotron.com
sales@ergotron.com

EMEA Sales

Amersfoort, The Netherlands
+31 33 45 45 600
www.ergotron.com
info.eu@ergotron.com

APAC Sales

Singapore
www.ergotron.com
info.apac@ergotron.com

Worldwide OEM Sales

www.ergotron.com
info.oem@ergotron.com

