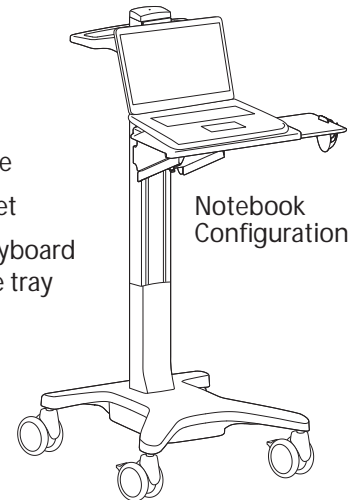
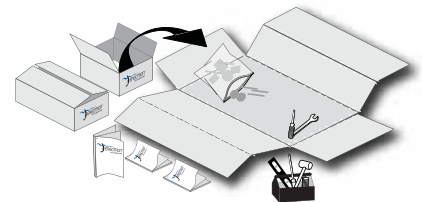
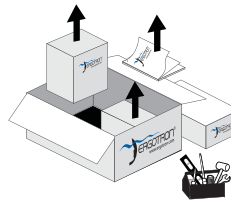


### FEATURES

- 20" Vertical Lift
- Ergonomic rear handle
- Scanner holder bracket
- Integrated, worksurface/keyboard tray with left/right mouse tray
- Mouse holder
- Cable storage
- Four dual casters (front locking)



Unpack product components and group them with required tools according to the steps shown here. If parts are missing or damaged, do not proceed to assembly; contact Ergotron Customer Care.



**1**

2x

2x

17mm

**2** NOTE: Skip Step 2 if your configuration does not include a CPU.

2x

5-sided Security Wrench

3mm

1x M5 x 6mm Security Screw

1x M5 x 18mm Security Screw

**3**

**4** LCD & Notebook

4x M6x35mm

LCD Only

4x M4 x 10mm

4x M4 x 10mm

4x M4 x 25mm

Notebook Only

4x

4x

**5**

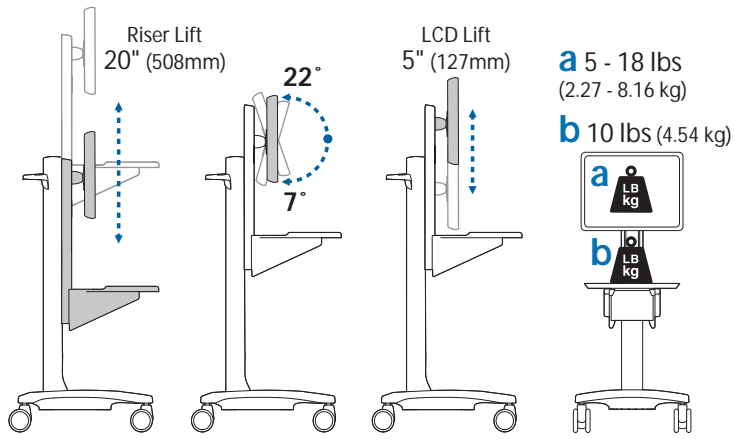
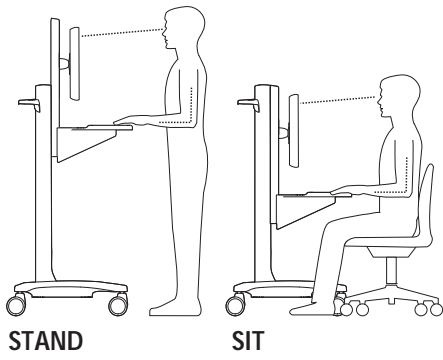
14mm

10mm

**6**

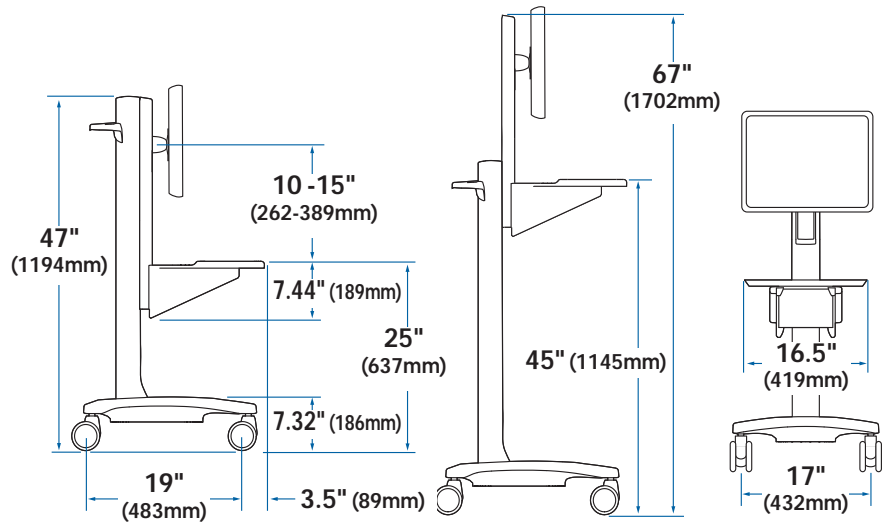
# Features and Specifications

## LCD

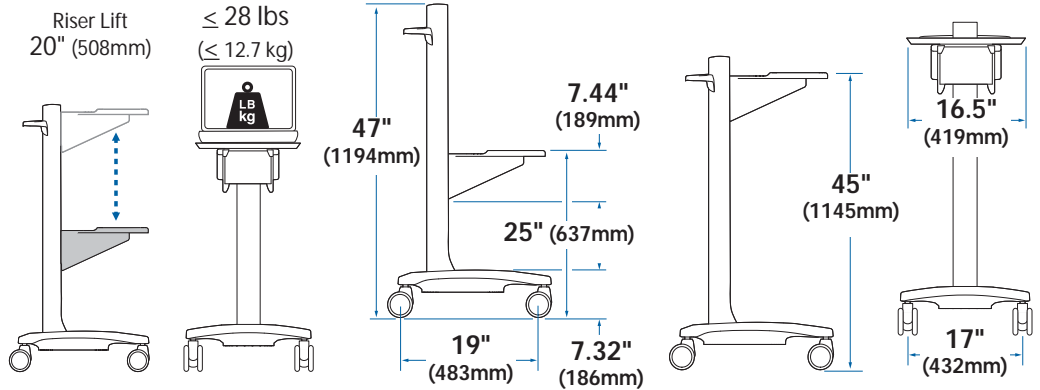
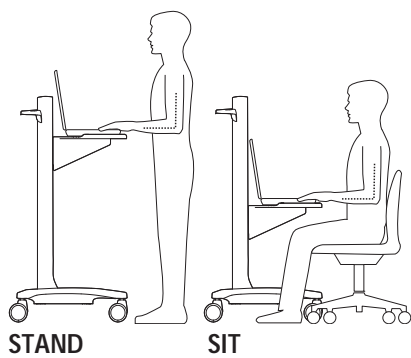


### WARNING

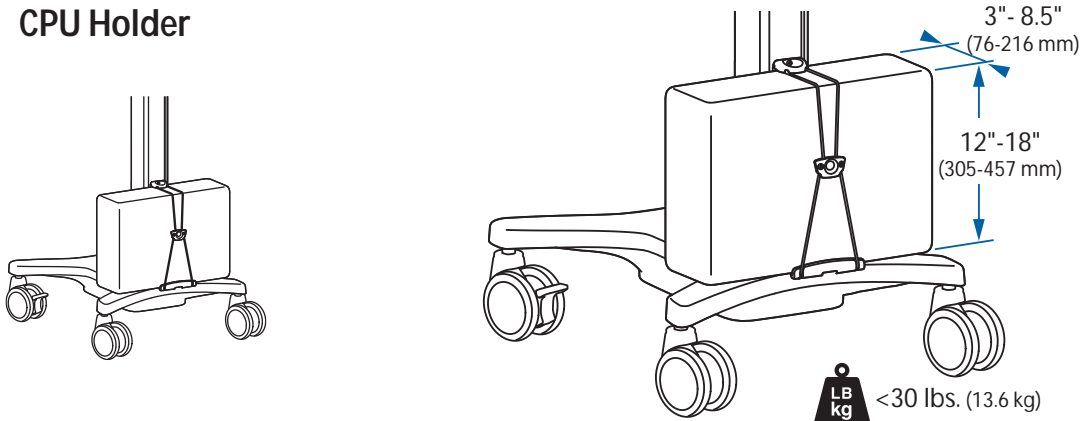
Stored Energy Hazard: The lift mechanism in the tower is under tension and will move up rapidly, on its own, as soon as attached equipment is removed. For this reason, **DO NOT** remove equipment or make adjustments to lift tension unless the front assembly has been moved to the highest position on the tower! Failure to follow this instruction may result in serious personal injury and/or equipment damage!



## Notebook



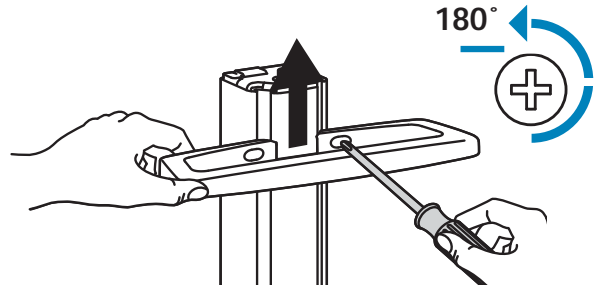
## CPU Holder



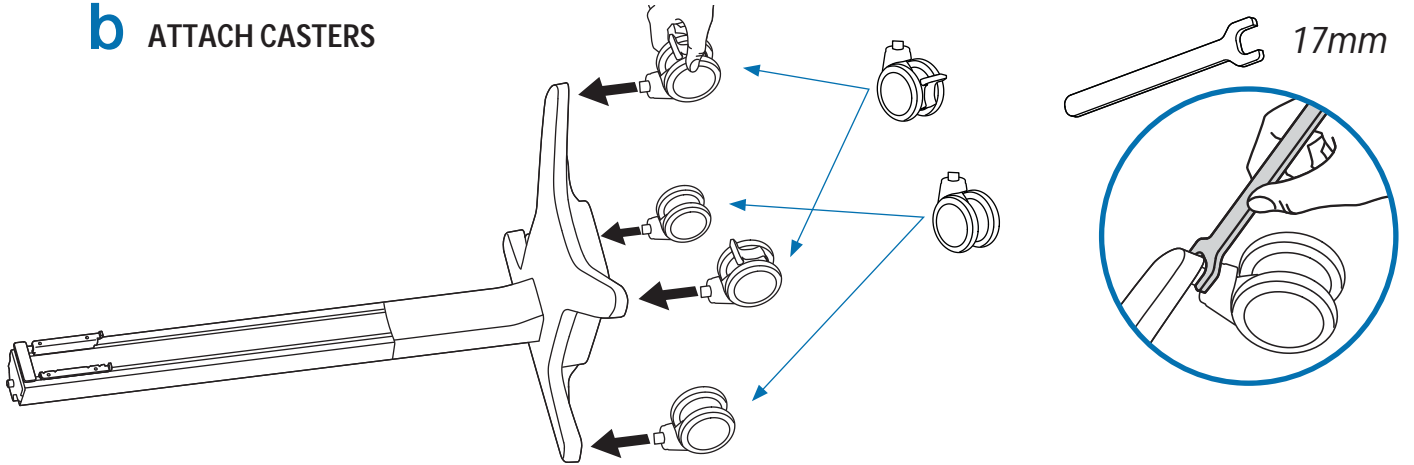
# 1 a REMOVE HANDLE



**NOTE:** Loosen but do not remove screws. Turn screws 1/2 turn (180°) to loosen brackets, then slide handle off cart with screws and brackets still attached.

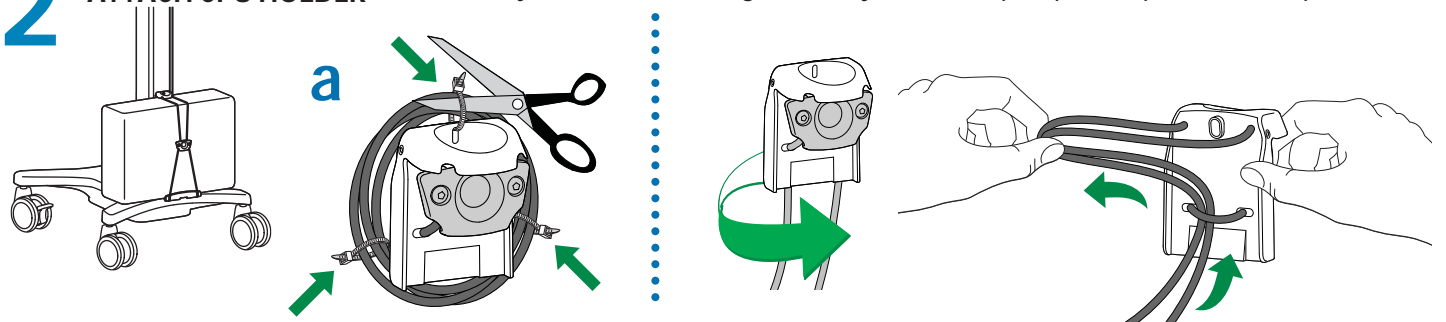


# b ATTACH CASTERS

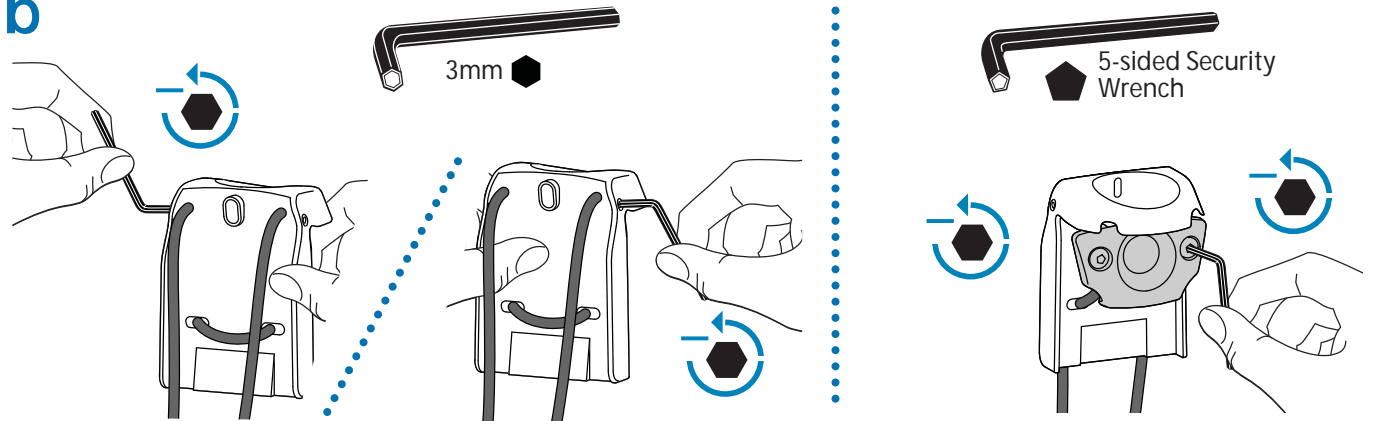


# 2 ATTACH CPU HOLDER

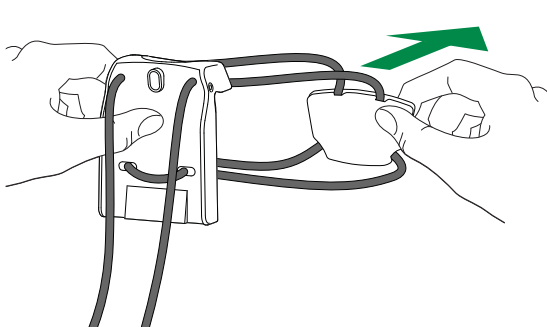
**NOTE:** If you are not attaching a CPU to your cart, skip step 2 and proceed to step 3.



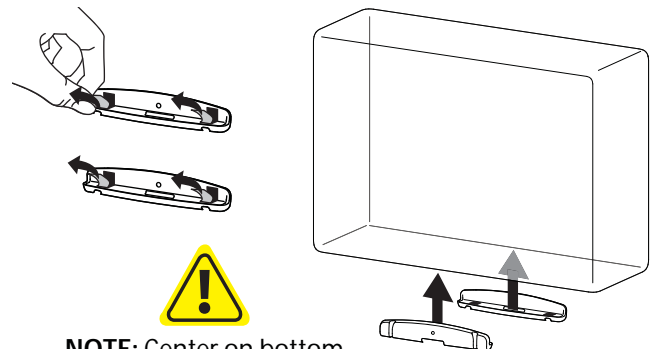
# b



# c

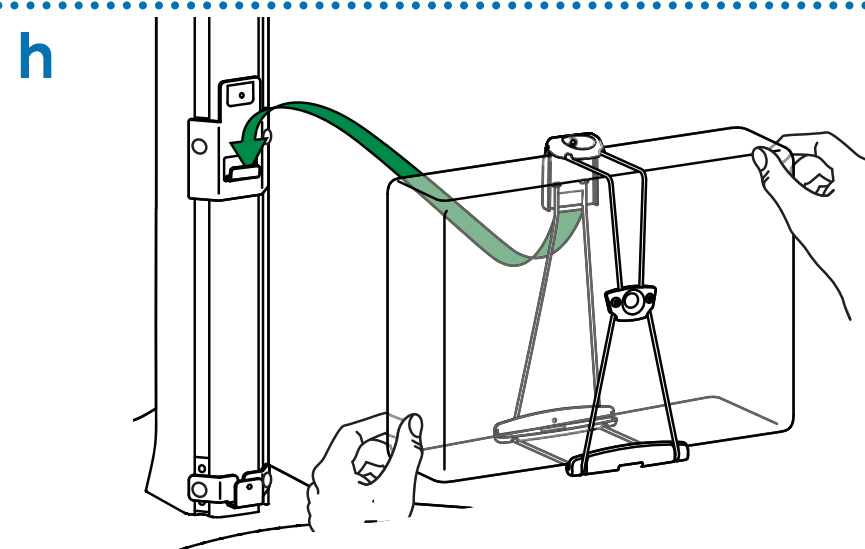
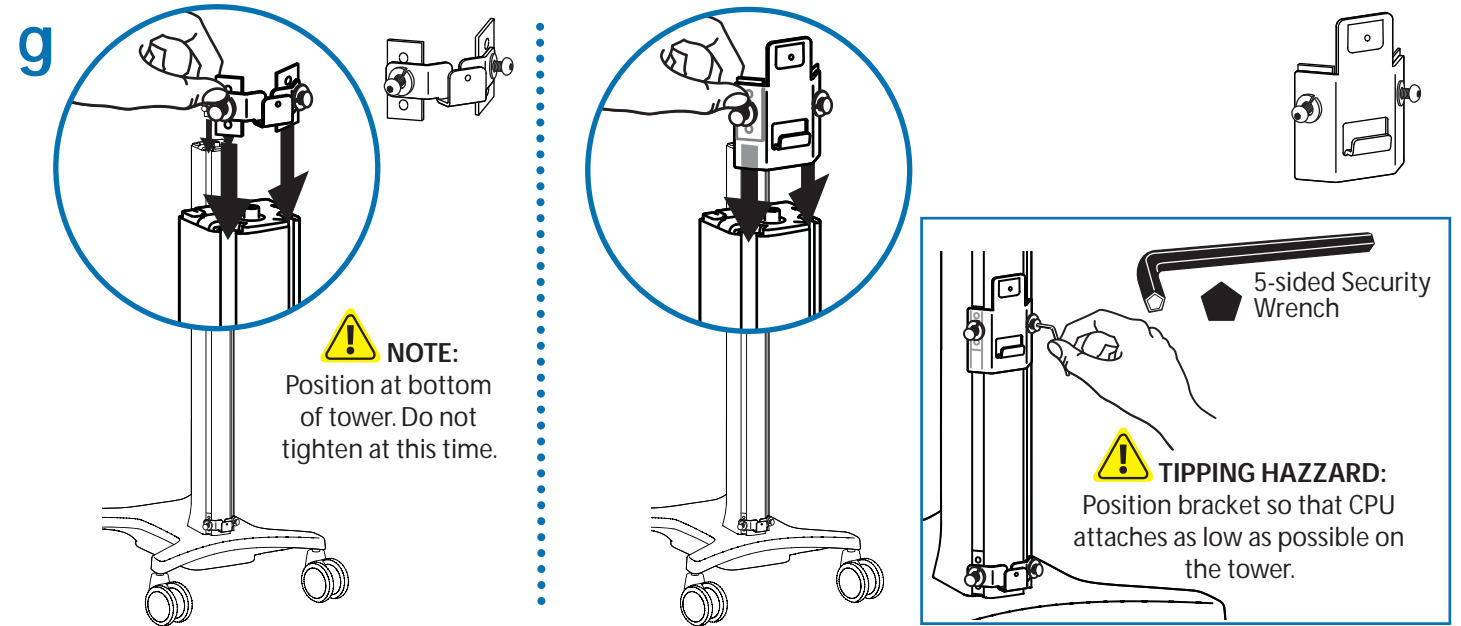
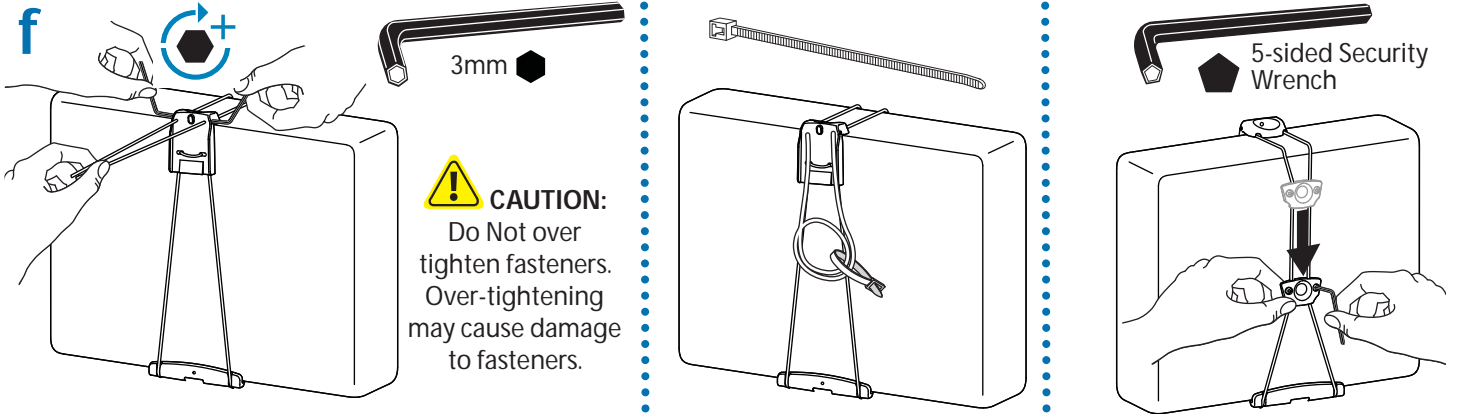
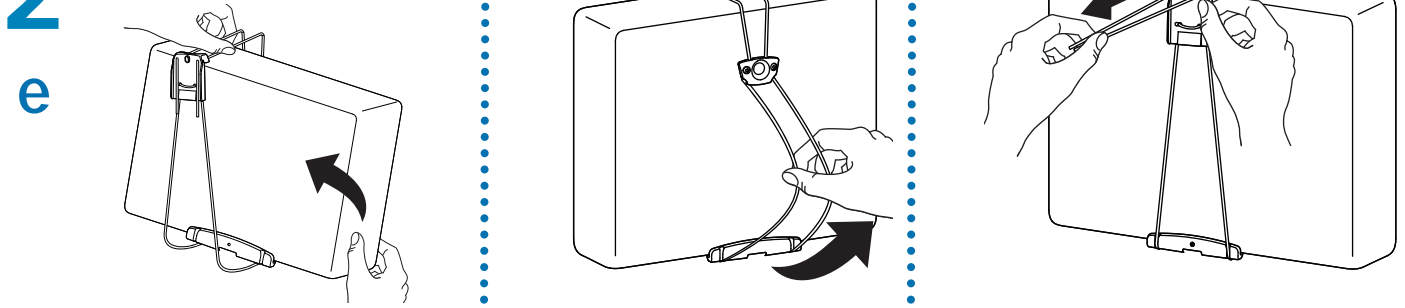


# d

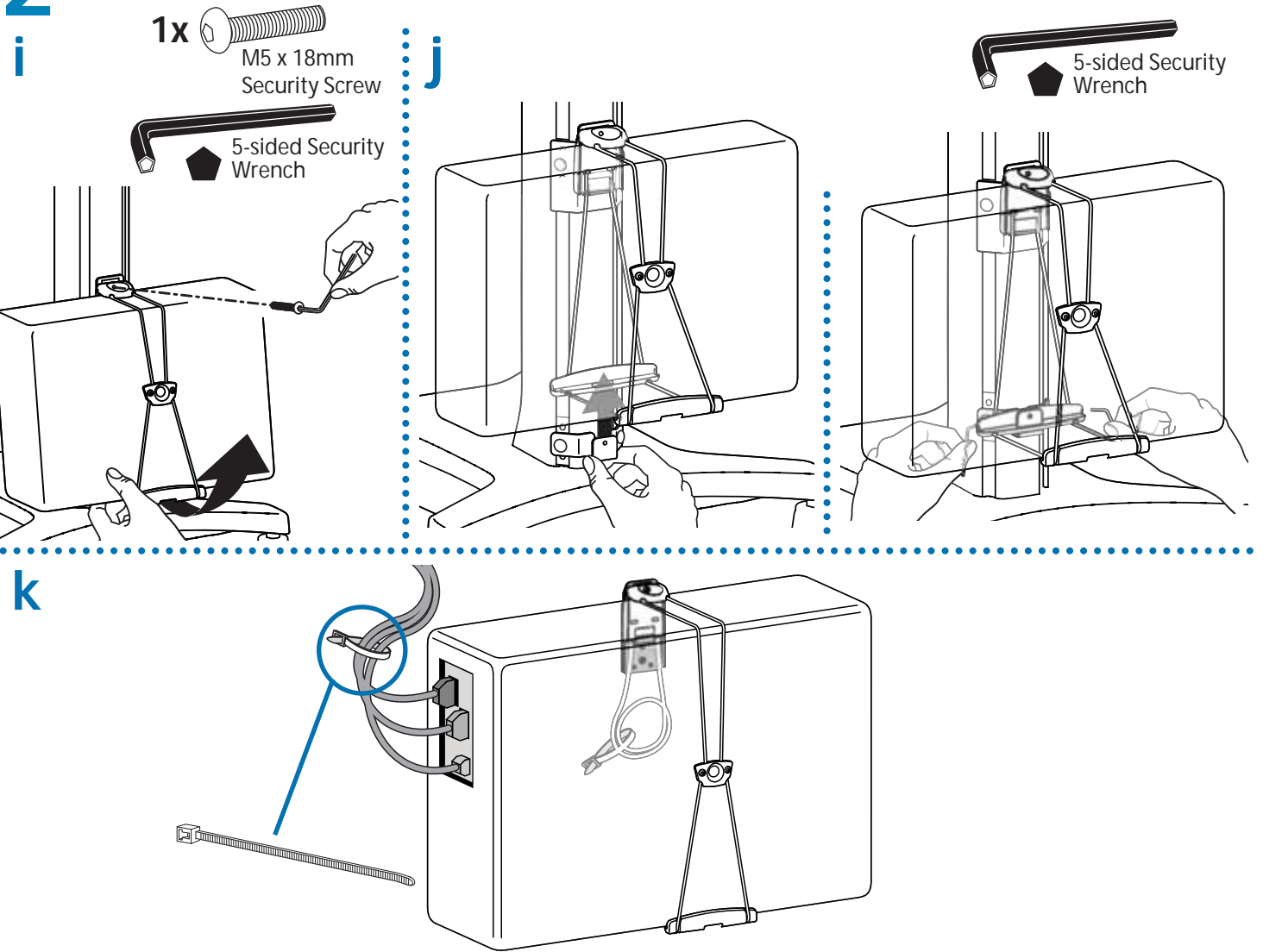


**NOTE:** Center on bottom

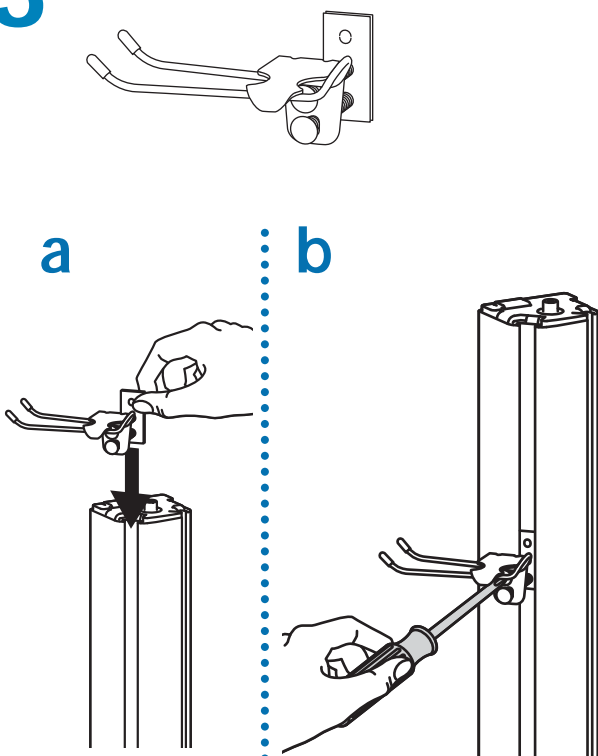
## 2 CPU (cont.)



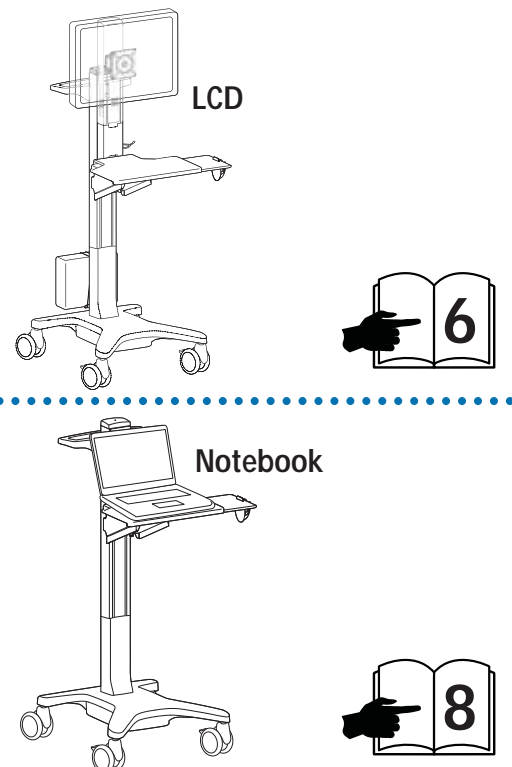
## 2 CPU (cont.)



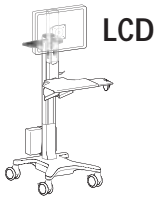
## 3 ATTACH SCANNER HOLDER



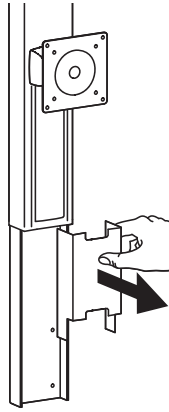
## 4 ATTACH LCD OR NOTEBOOK



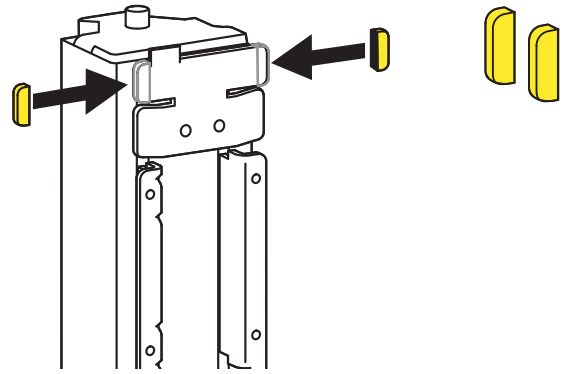
4



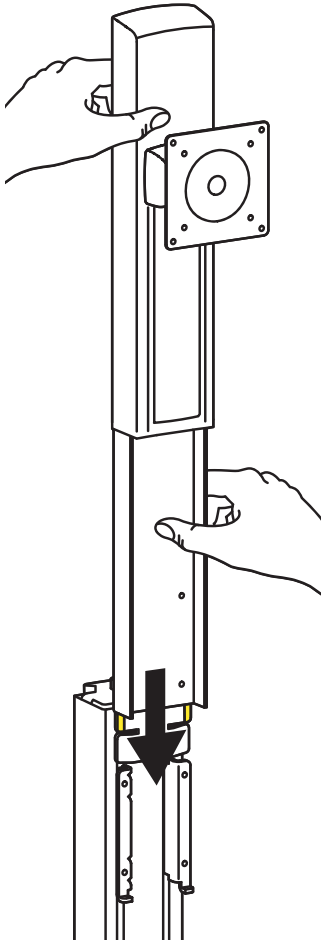
a



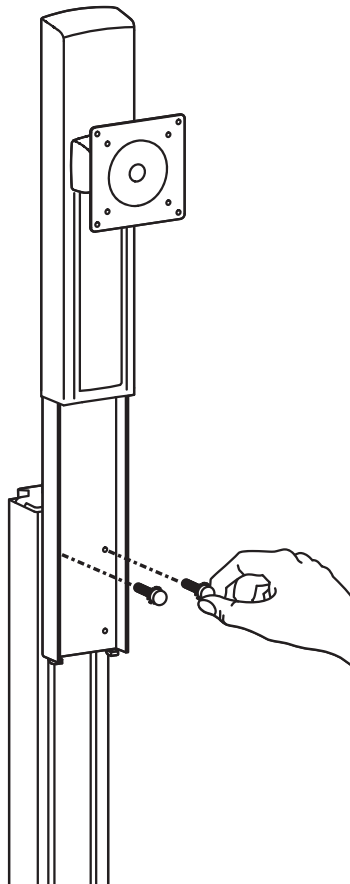
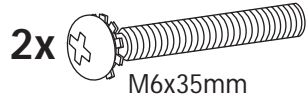
b



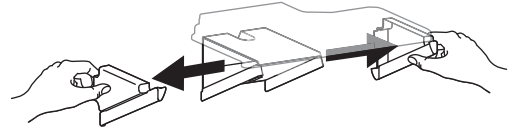
c



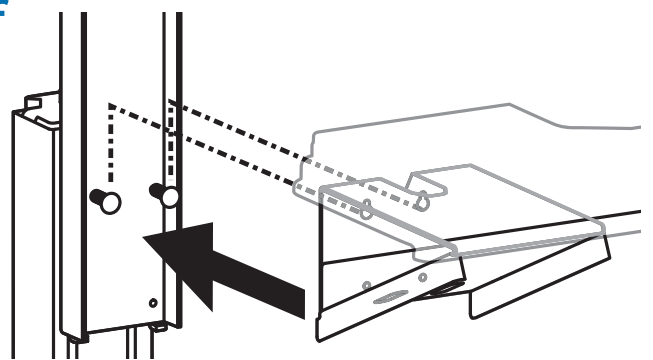
d



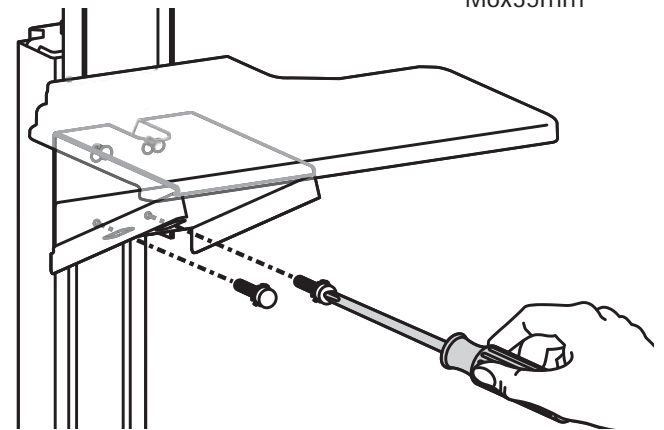
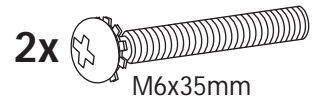
e



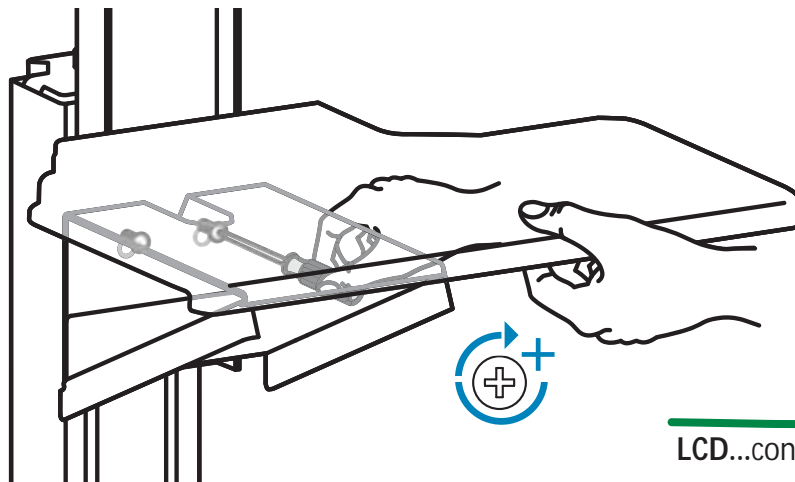
f



g



h



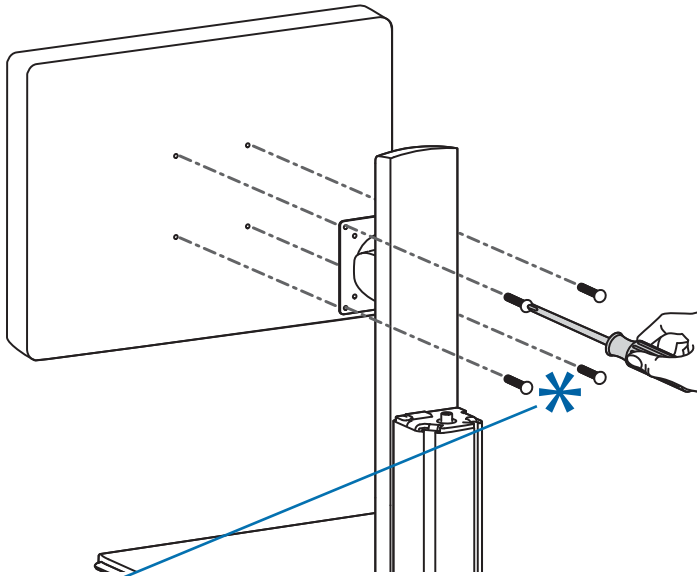
LCD...continued




# 4 LCD...continued



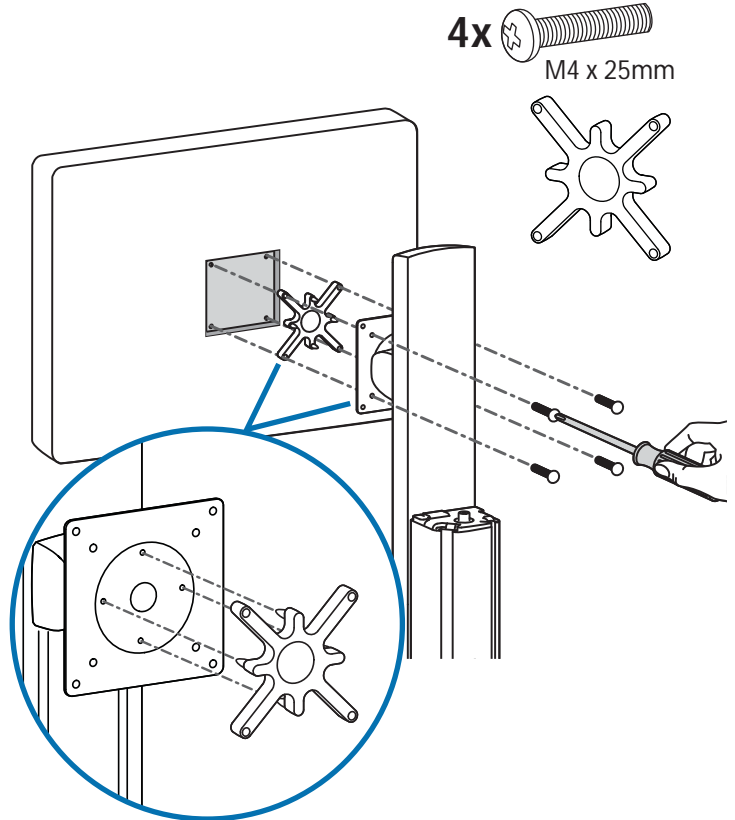
## i 75x75mm & 100x100mm Mount



\* Screw attachment deters theft while Knob attachment allows fast removal of the LCD without the use of tools. Products offering additional security may be available for purchase - go to [www.ergotron.com](http://www.ergotron.com).



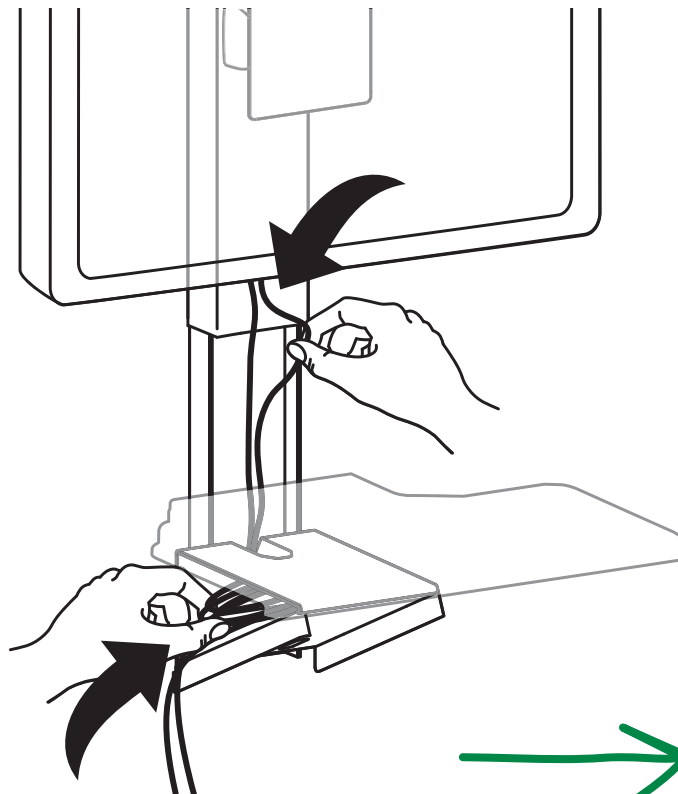
## j 75x75mm Recessed Mount



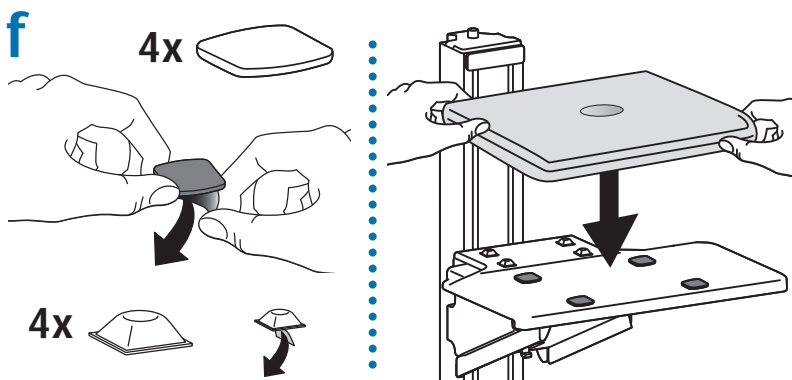
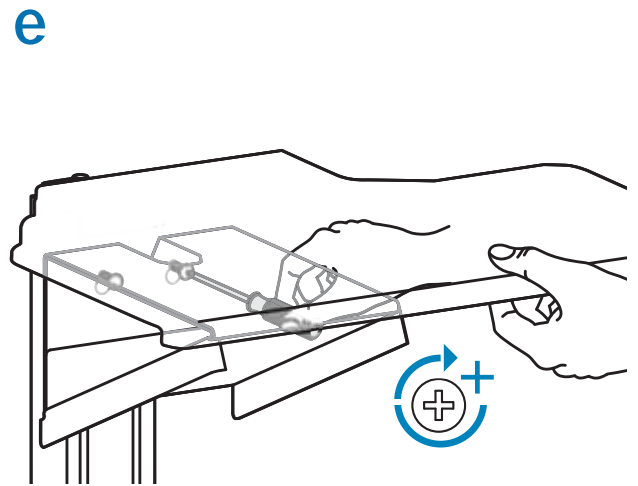
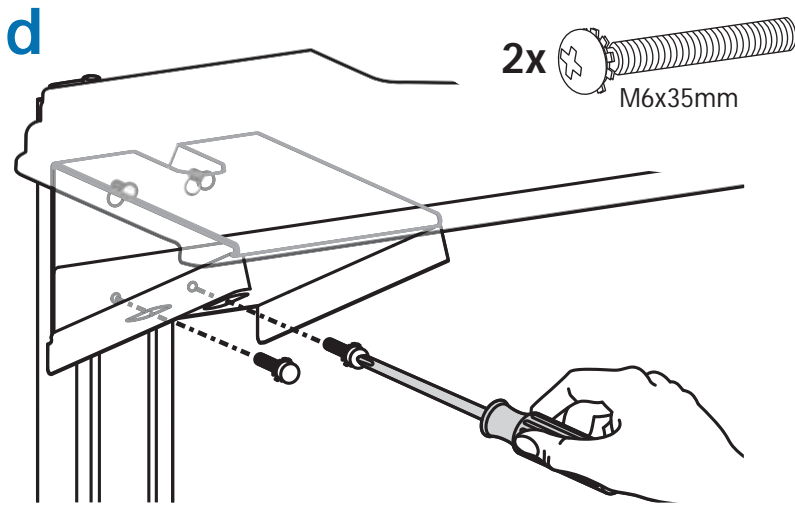
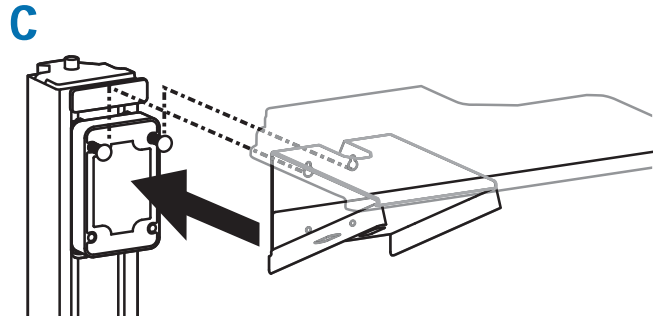
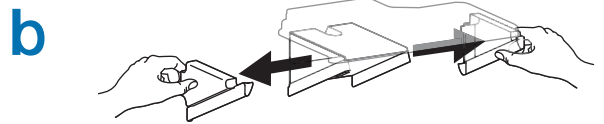
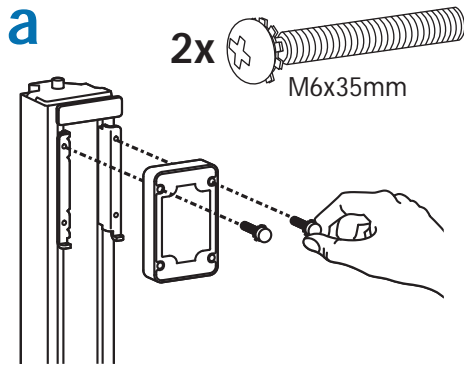
## CABLE ROUTING

Route display cables down riser and into the cable box mounted under the worksurface. Use cable box to store excess cables.

## k

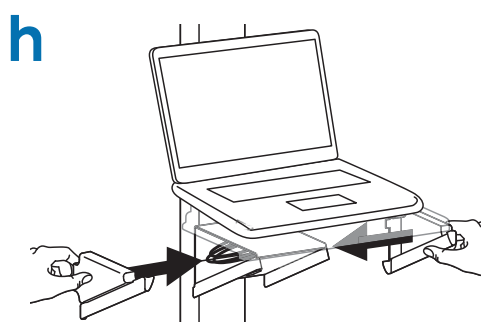
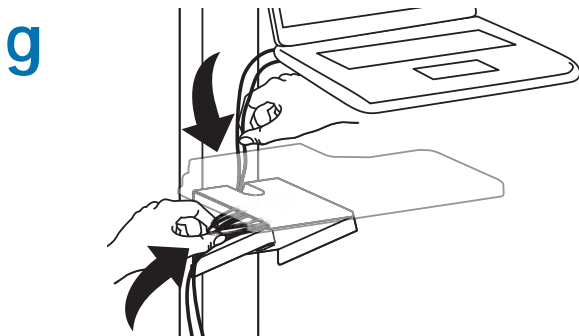


# 4 Notebook



## CABLE ROUTING

Route display cables down riser and into the cable box mounted under the worksurface. Use cable box to store excess cables.





# 5 RANGE OF MOTION

This product is designed to adjust quickly and easily according to your needs – refer to following steps for adjustment.

## a Lift Riser – Up and down

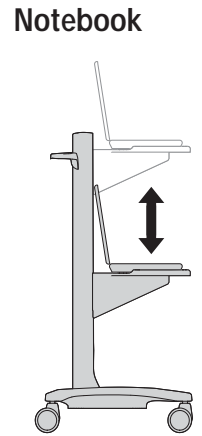
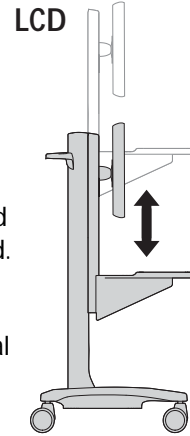
If it does not stay in place or movement is stiff, tension needs adjustment. Adjust until motion is equal.



### WARNING

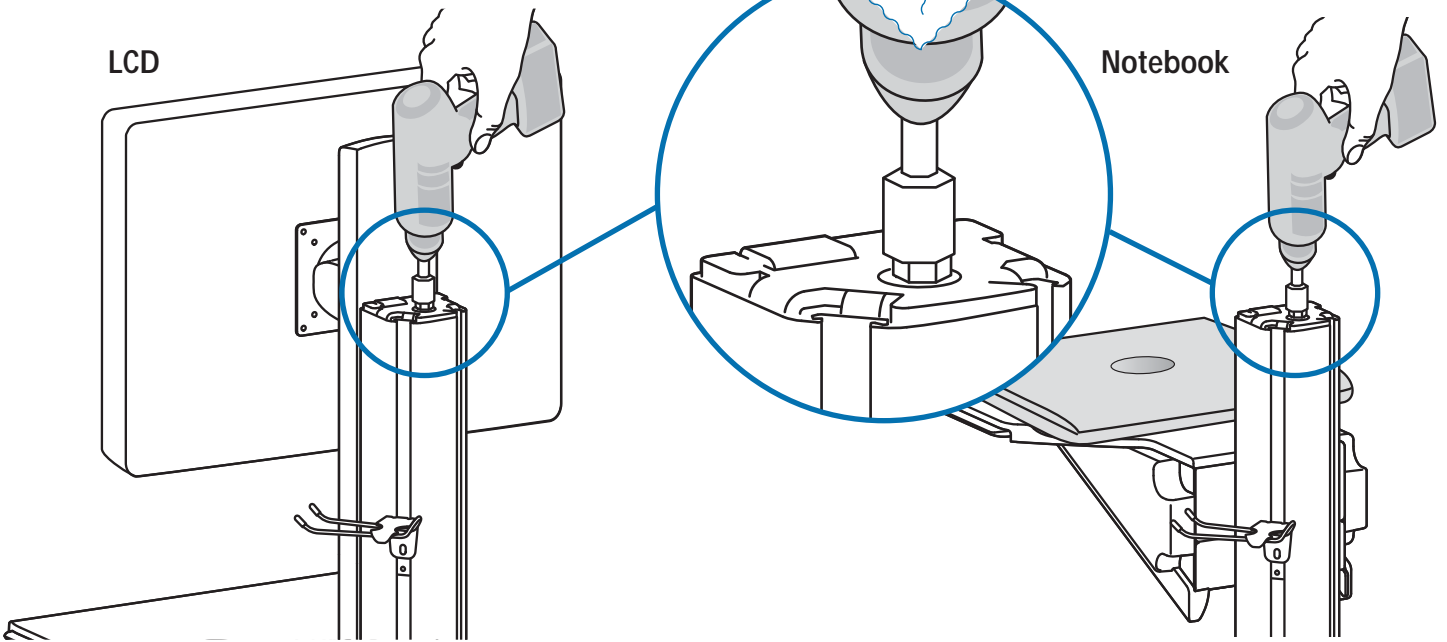
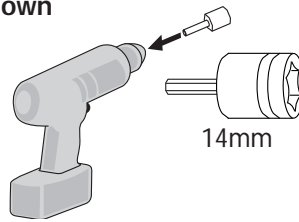
Stored Energy Hazard: The lift mechanism in the tower is under tension and will move up rapidly, on its own, as soon as attached equipment is removed.

For this reason, DO NOT remove equipment or make adjustments to lift tension unless the front assembly has been moved to the highest position on the tower! Failure to follow this instruction may result in serious personal injury and/or equipment damage!



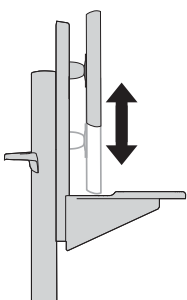
### Adjust Riser Lift – Up and down

- To increase tension - Turn Clockwise
- To decrease tension - Turn Counterclockwise



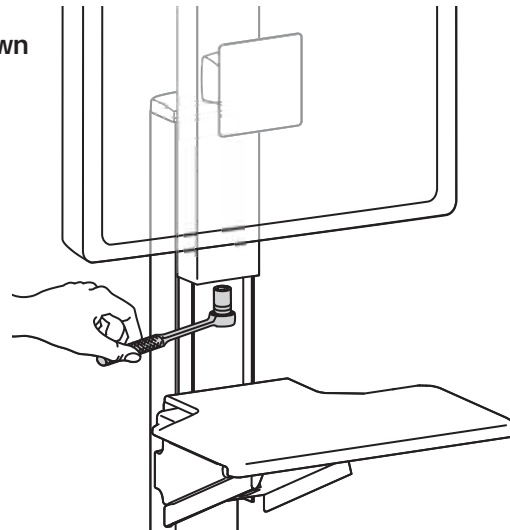
## b Lift LCD – Up and down

If it does not stay in place or movement is stiff, tension needs adjustment. Adjust until motion is equal.



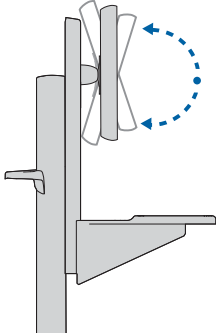
### Adjust LCD Lift – Up and down

- To increase tension - Turn Clockwise
- To decrease tension - Turn Counterclockwise



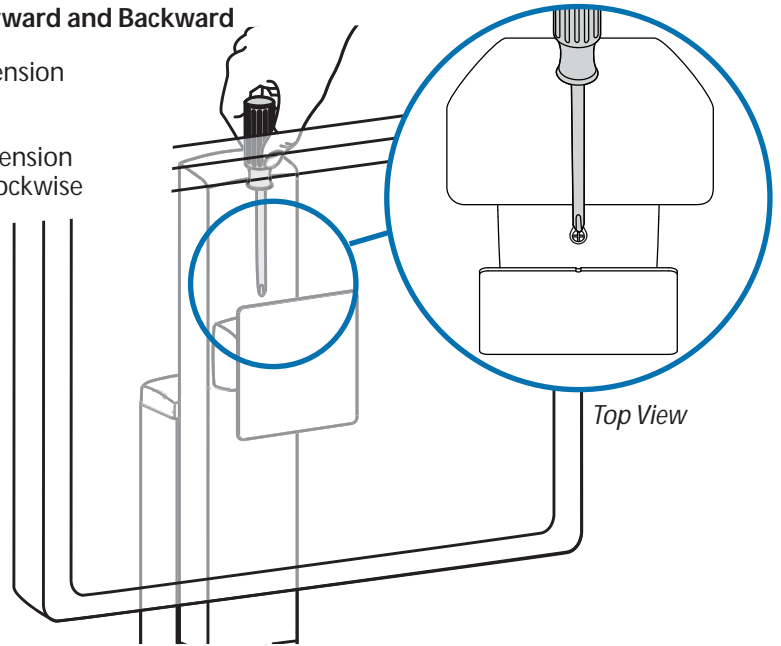
### C Tilt – Forward and Backward

If it does not stay in place or movement is stiff, tension needs adjustment. Adjust until motion is equal.

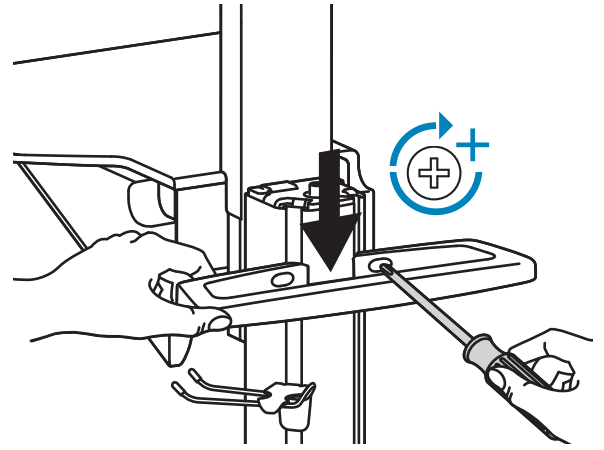
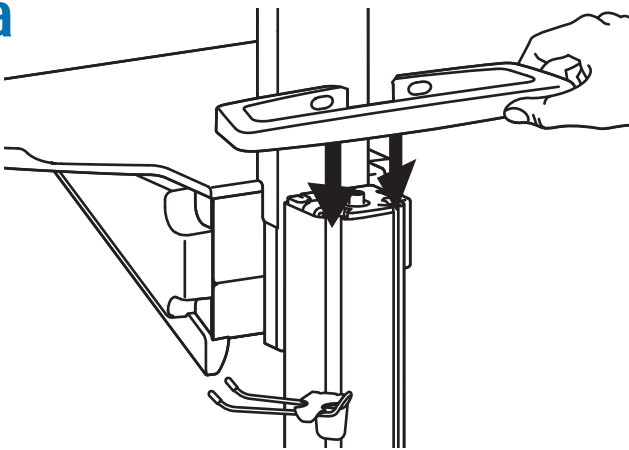


### Adjust Tilt – Forward and Backward

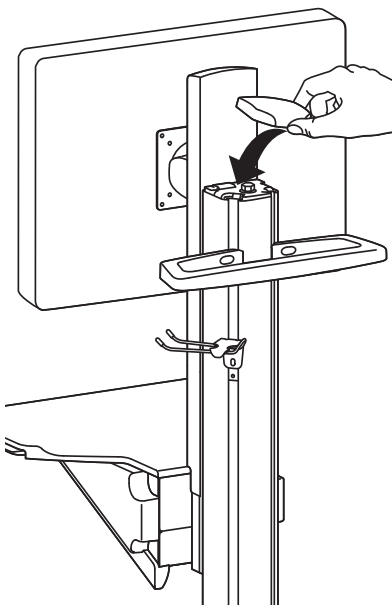
- ⌚ To increase tension - Turn Clockwise
- ⌚ To decrease tension - Turn Counterclockwise



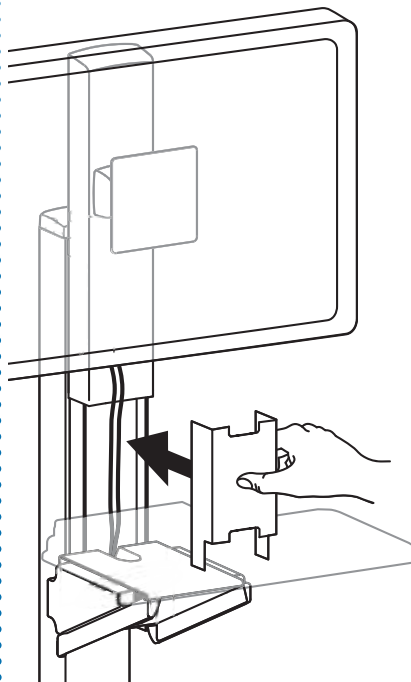
## 6 a



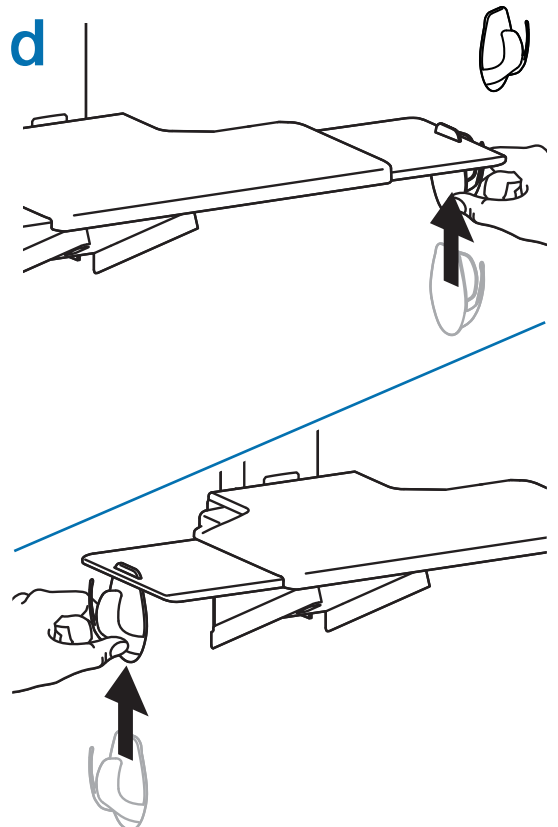
## b



## c



## d



## Ergotron Warranty

Ergotron warrants that its products will remain free of defects in material and workmanship for five (5) years. All subject to the exceptions, exclusions and limitations as set forth below.

Exceptions to this warranty include:

- Three (3) year warranty on all Neo-Flex™ by Ergotron products
- One (1) year warranty on all power supply components by Ergotron; battery carries a 90 day performance warranty and six (6) month warranty against manufacturer defects.

Note: In EU, two (2)-year warranty on all power supply components by Ergotron; battery carries a 90-day performance warranty and two (2)-year warranty against manufacturer's defects.

- OEM products resold by Ergotron are warranted by the respective manufacturer

**Exclusive Remedy:** If any Ergotron equipment is or becomes defective in material or workmanship during the warranty period, Ergotron, at its sole discretion, may replace or repair the unit at a designated Ergotron location or at the customer location. The purchaser must get pre-approved authorization to return product to Ergotron. The Purchaser must contact Ergotron to obtain an RMA (Return Material Authorization) number. Ergotron will promptly repair or replace the item and ship it to Purchaser at no charge to the Purchaser. Performance of repair or replacement does not renew or extend the warranty period

**THIS REMEDY IS THE EXCLUSIVE REMEDY FOR BREACH OF WARRANTY AS TO THE EQUIPMENT,** except in respect to the personal injury. Purchaser shall give Ergotron immediate written notice of any personal injury resulting from use of Ergotron equipment.

**Exclusions and Limitations:** Ergotron disclaims liability for injuries or losses caused by or associated with installation or use of its equipment in any manner other than in strict conformance with the instructions set forth in its installation manuals, supplemental assembly and installation instruction sheets, technical bulletins or product literature or by equipment that has been altered, damaged or misused.

Warranty on fully charge batteries left in an unused state for more than three (3) consecutive months is automatically void.

Warranty on fully discharged batteries left in an unused state for more than three (3) consecutive days is automatically void.

Purchaser has not relied upon and Ergotron disclaims any and all warranties other than the expressed warranty stated above, subject to the exclusions and limitations provided herein. Ergotron disclaims all other warranties, expressed or implied, including but not limited to the warranties of merchantability and fitness for a particular purpose.

Ergotron further disclaims liability to purchaser and all others for all consequential, incidental and special damages caused by or in connection with the products, their use or misuse, and their performance or nonperformance.

821-842-00



© 2007 Ergotron, Inc.  
All rights reserved.

While Ergotron, Inc. makes every effort to provide accurate and complete information on the installation and use of its products, it will not be held liable for any editorial errors or omissions (including those made in the process of translation from English to another language), or for incidental, special or consequential damages of any nature resulting from furnishing this instruction and performance of equipment in connection with this instruction. Ergotron, Inc. reserves the right to make changes in the product design and/or product documentation without notification to its users. For the most current product information, or to know if this document is available in languages other than those herein, please contact Ergotron. No part of this publication may be reproduced, stored in a retrieval system, or transmitted in any form or by any means, electronic, mechanical, photocopying, recording or otherwise without the prior written consent of Ergotron, Inc., 1181 Trapp Road, Eagan, Minnesota, 55121, USA Patents Pending and Patented U.S. & Foreign. Ergotron is a registered trademark of Ergotron, Inc.

### Americas Sales and Corporate Headquarters

St. Paul, MN USA  
(800) 888-8458  
+1-651-681-7600  
www.ergotron.com  
sales@ergotron.com

### EMEA Sales

Amersfoort, The Netherlands  
+31 33 45 45 600  
www.ergotron.com  
info.eu@ergotron.com

### APAC Sales

Singapore  
www.ergotron.com  
info.apac@ergotron.com

### Worldwide OEM Sales

www.ergotron.com  
info.apac@ergotron.com