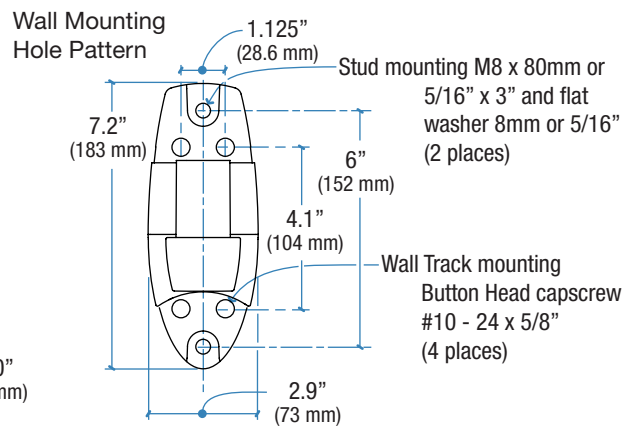
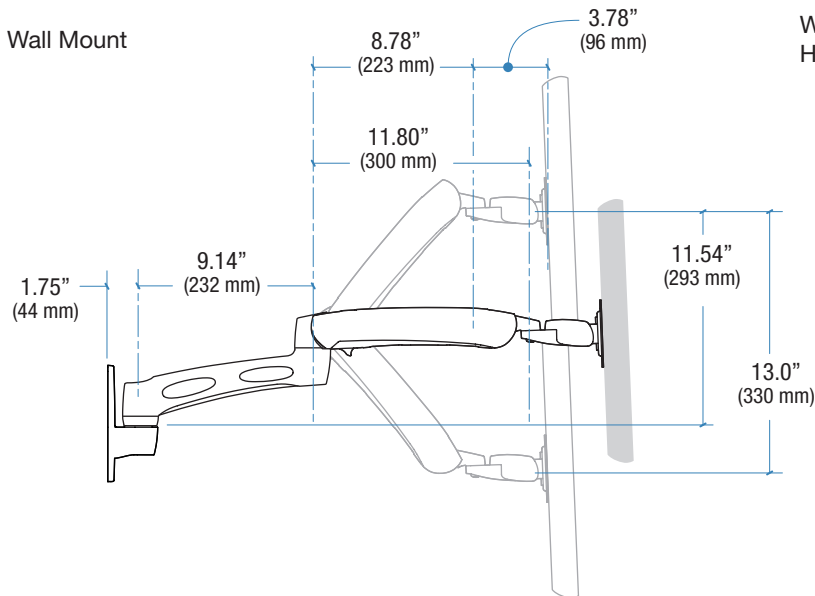
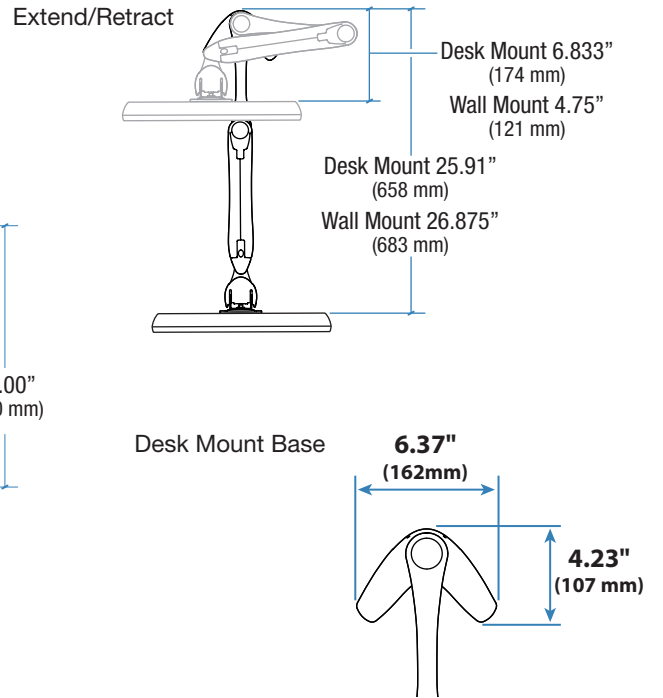
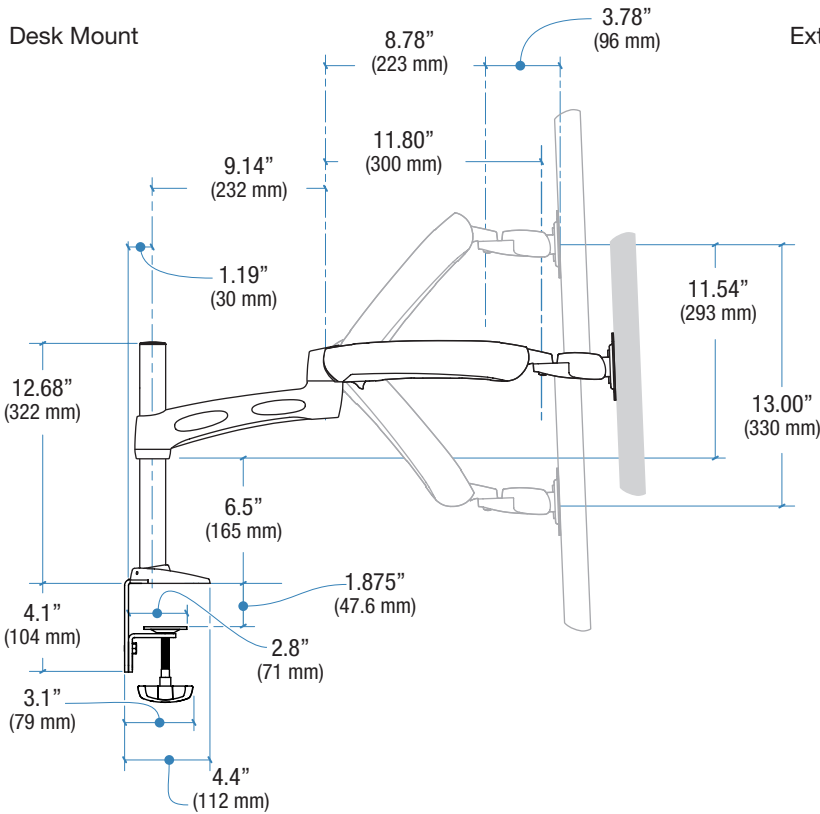


Ergotron® LX

Desk and Wall Mount Arm



Monitor depth greater than 2" (5 cm) may diminish capacity.

Maximum Display Thickness	Maximum Display Weight
---------------------------	------------------------

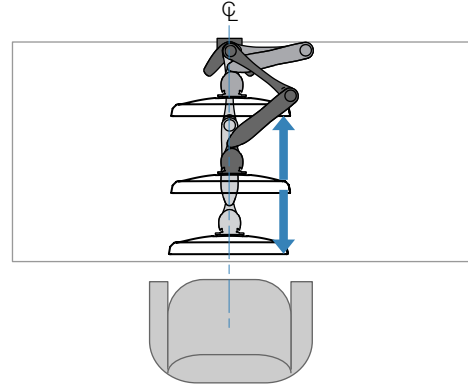
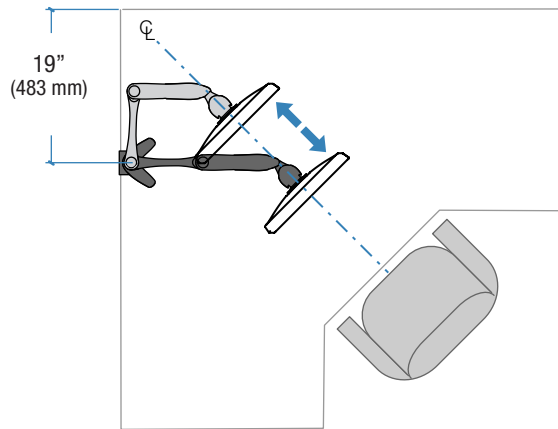
2" (51 mm)	20 lbs (9.1 kg)
2-1/2" (64 mm)	17 lbs (7.7 kg)
3" (76 mm)	16 lbs (7.3 kg)
3-1/2" (90 mm)	14 lbs (6.4 kg)
4" (102 mm)	13 lbs (5.9 kg)

© 2008 Ergotron, Inc. rev. 12/26/2008 DIM-056 Content is subject to change without notification

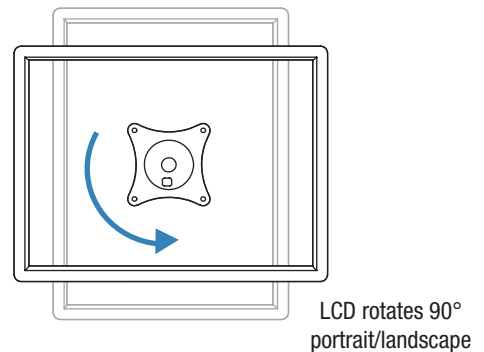
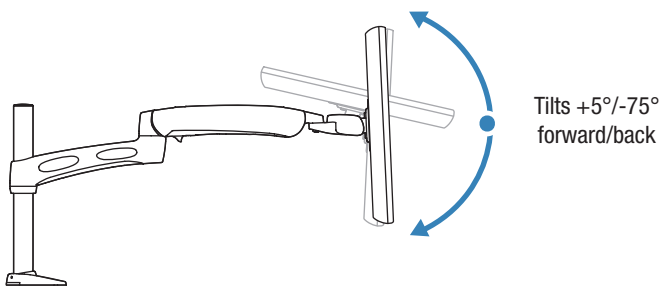
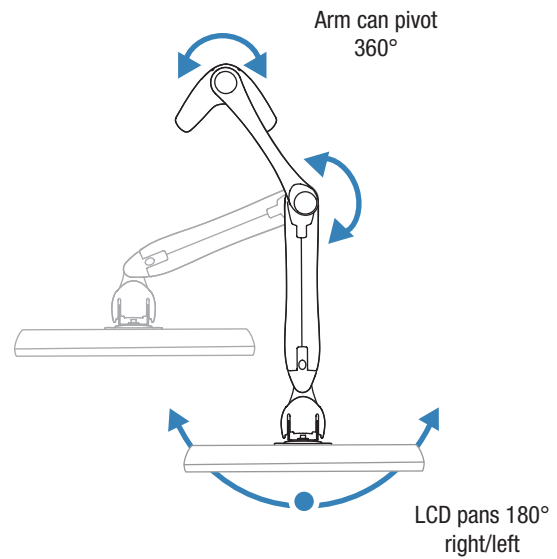
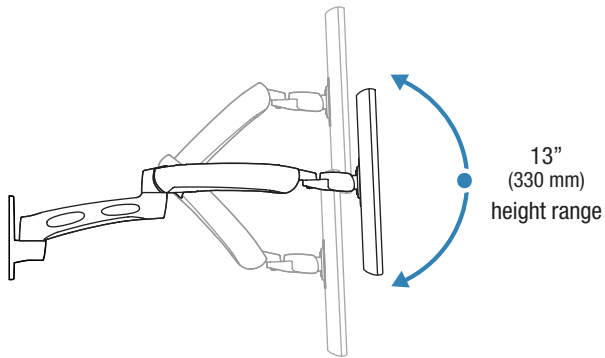
Americas Sales and Corporate Headquarters	EMEA Sales	APAC Sales	Worldwide OEM Sales
St. Paul, MN USA (800) 888-8458 +1-651-681-7600 www.ergotron.com sales@ergotron.com	Amersfoort, The Netherlands +31 33 45 45 600 www.ergotron.com info.eu@ergotron.com	Tokyo, Japan www.ergotron.com info.apac@ergotron.com	www.ergotron.com info.oem@ergotron.com



Desk Positioning



Range of Motion



© 2008 Ergotron, Inc. rev. 12/26/2008 DIM-056 Content is subject to change without notification

Americas Sales and Corporate Headquarters

St. Paul, MN USA
(800) 888-8458
+1-651-681-7600
www.ergotron.com
sales@ergotron.com

EMEA Sales

Amersfoort, The Netherlands
+31 33 45 45 600
www.ergotron.com
info.eu@ergotron.com

APAC Sales

Tokyo, Japan
www.ergotron.com
info.apac@ergotron.com

Worldwide OEM Sales

www.ergotron.com
info.oem@ergotron.com

