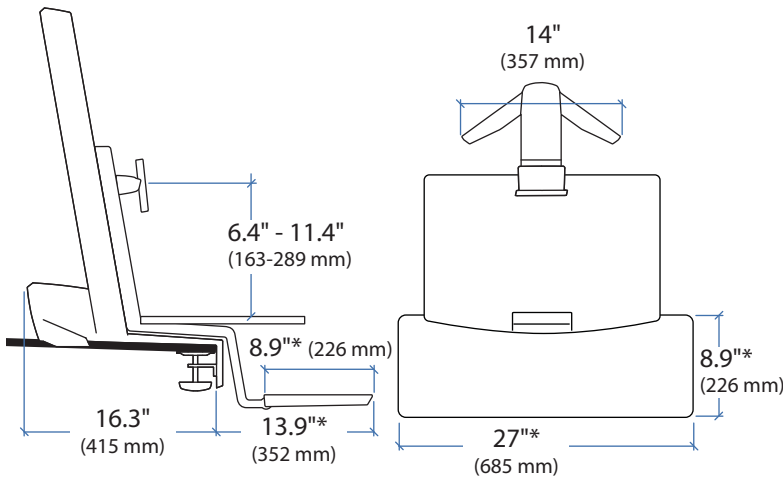
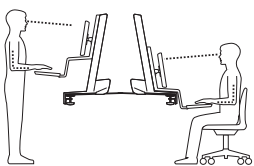
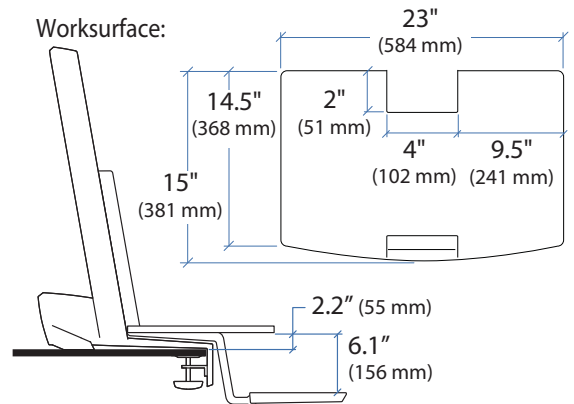
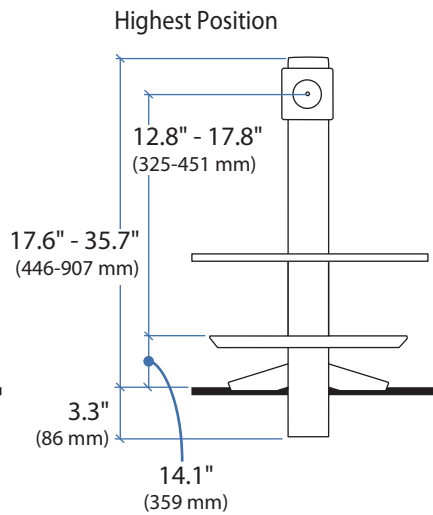
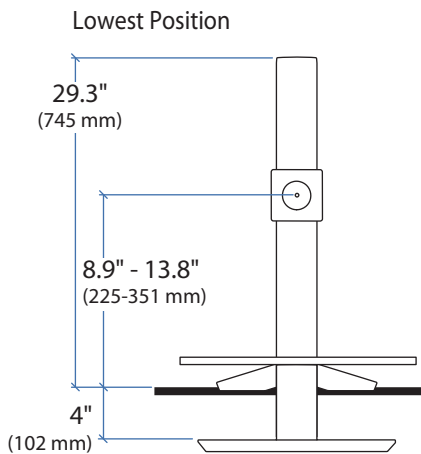
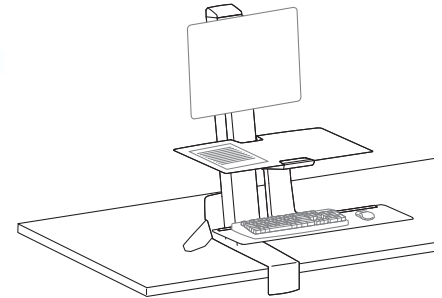
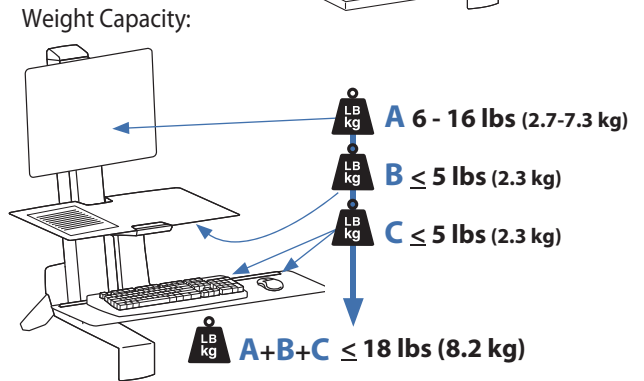


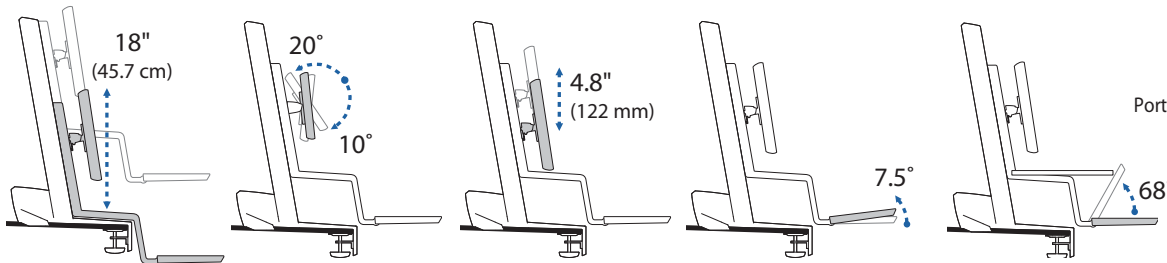
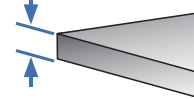
WorkFit-S with Worksurface, Single LCD Mount, LD



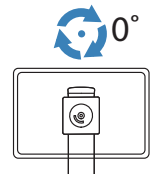
*Keyboard Tray has 9 Mounting Locations - see page 5 for details.



Desk Thickness:
 ≤ 2.4" (60 mm)



Portrait/Landscape rotation stop screw can be installed for 0° rotation.



© 2012 Ergotron, Inc. rev. 02/01/2012 DIM-WorkFit-S-Worksurface Content is subject to change without notification

Americas Sales and Corporate Headquarters

St. Paul, MN USA
 (800) 888-8458
 +1-651-681-7600
 www.ergotron.com
 sales@ergotron.com

EMEA Sales

Amersfoort, The Netherlands
 +31 33 45 45 600
 www.ergotron.com
 info.eu@ergotron.com

APAC Sale

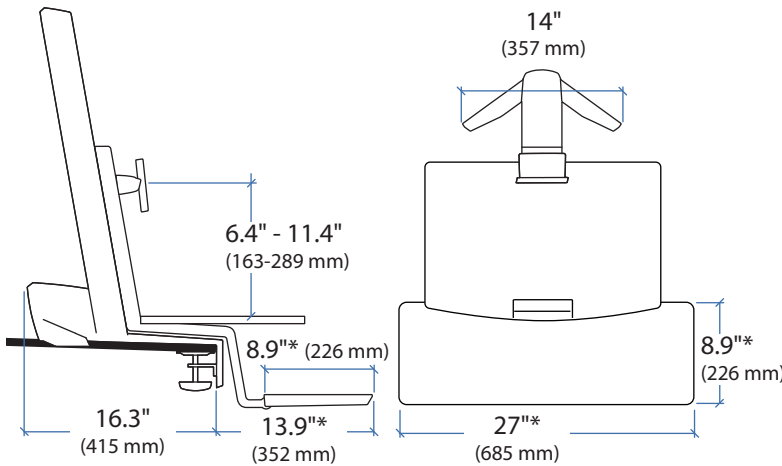
Tokyo, Japan
 www.ergotron.com
 apaccustomerservice@ergotron.com

Worldwide OEM Sales

www.ergotron.com
 info.oem@ergotron.com

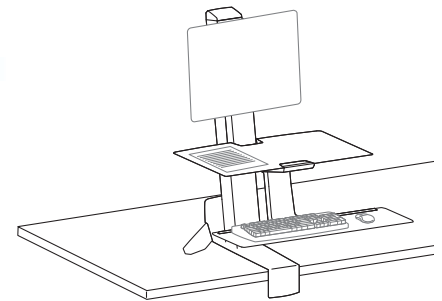
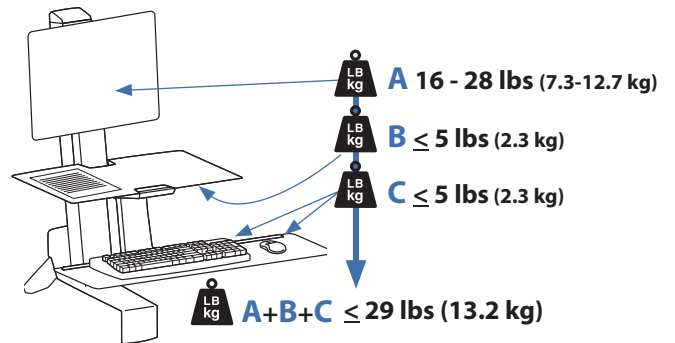


WorkFit-S with Worksurface, Single LCD Mount, HD

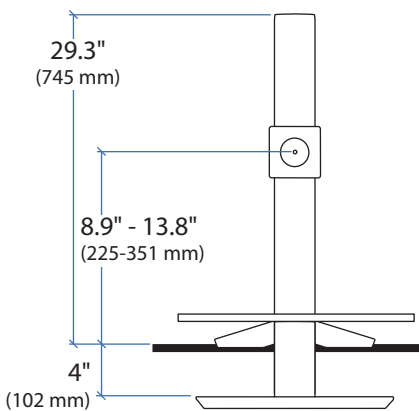


*Keyboard Tray has 9 Mounting Locations - see page 5 for details.

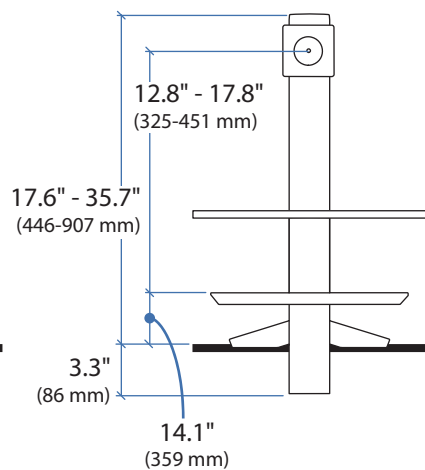
Weight Capacity:



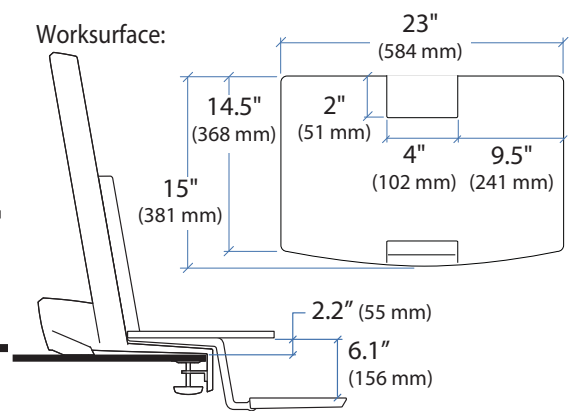
Lowest Position



Highest Position

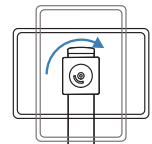
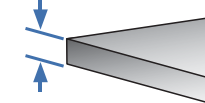


Worksurface:

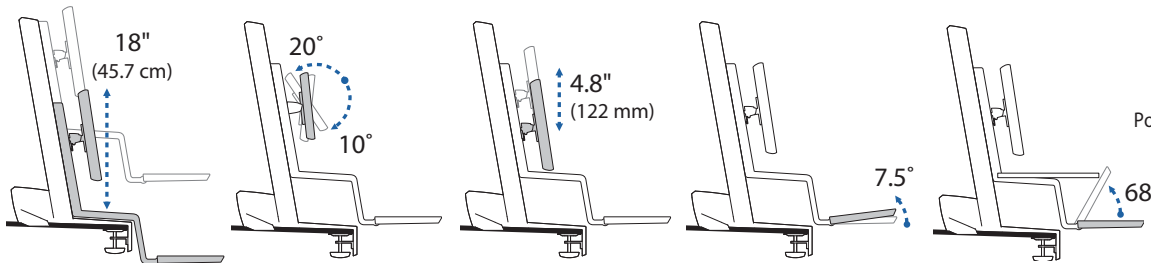
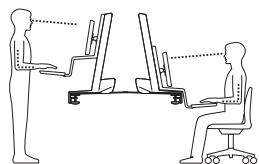
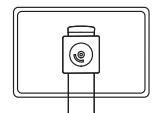


Desk Thickness:

≤ 2.4" (60 mm)



Portrait/Landscape rotation stop screw can be installed for 0° rotation.



© 2012 Ergotron, Inc. rev. 02/01/2012 DIM-WorkFit-S-Worksurface Content is subject to change without notification

Americas Sales and Corporate Headquarters

St. Paul, MN USA
(800) 888-8458
+1-651-681-7600
www.ergotron.com
sales@ergotron.com

EMEA Sales

Amersfoort, The Netherlands
+31 33 45 45 600
www.ergotron.com
info.eu@ergotron.com

APAC Sale

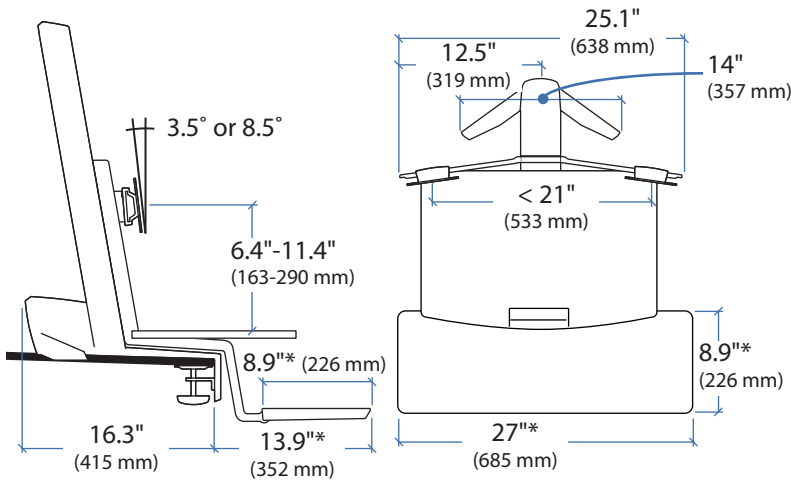
Tokyo, Japan
www.ergotron.com
apaccustomerservice@ergotron.com

Worldwide OEM Sales

www.ergotron.com
info.oem@ergotron.com

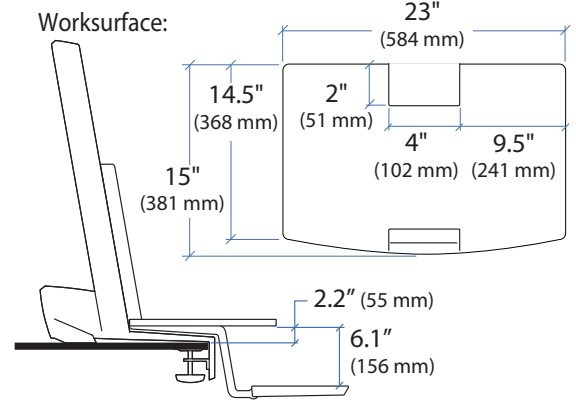
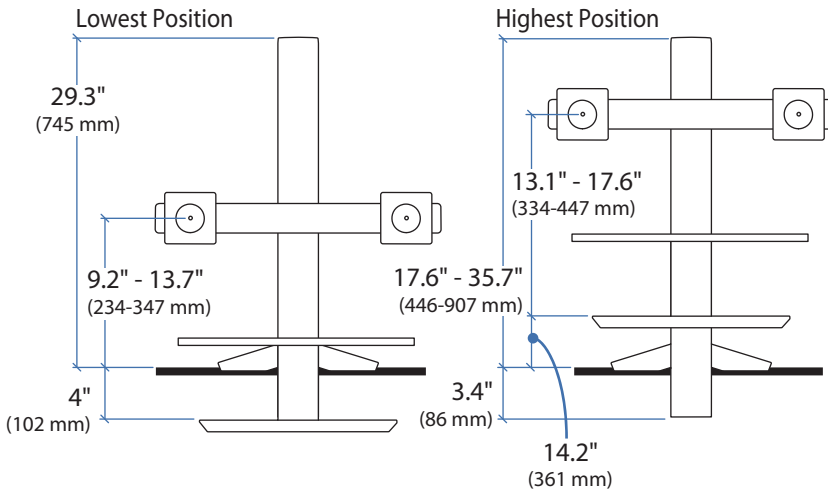
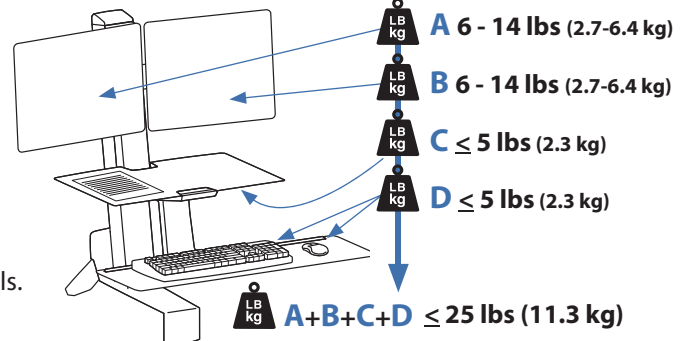


WorkFit-S with Worksurface, Dual

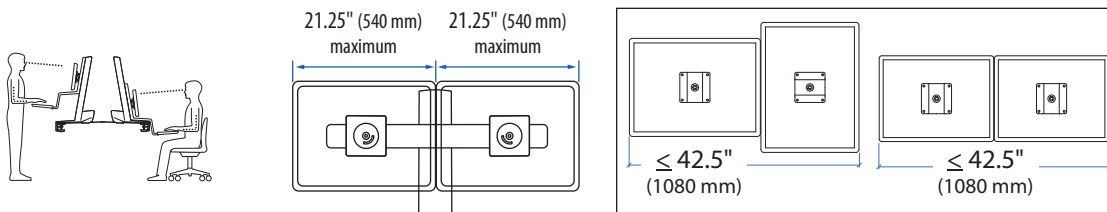


*Keyboard Tray has 9 Mounting Locations - see page 5 for details.

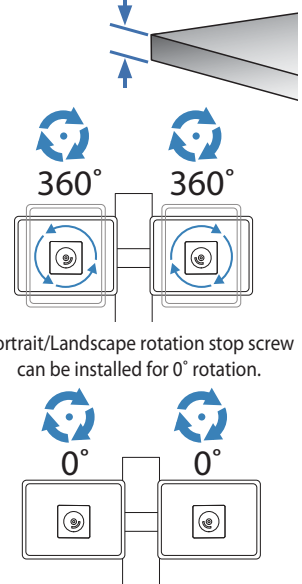
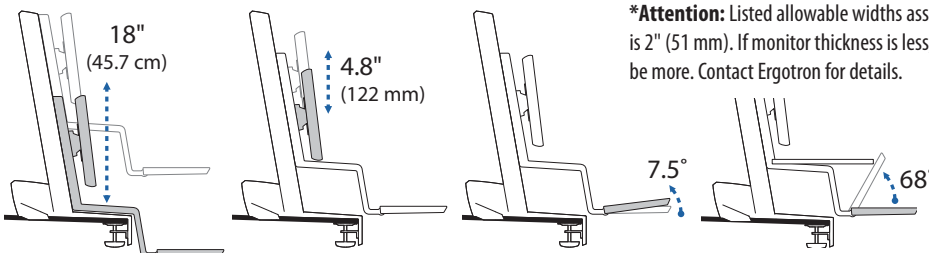
Weight Capacity:



Desk Thickness: $\leq 2.4"$ (60 mm)



***Attention:** Listed allowable widths assume monitor thickness is 2" (51 mm). If monitor thickness is less, allowable width may be more. Contact Ergotron for details.



Portrait/Landscape rotation stop screw can be installed for 0° rotation.

© 2012 Ergotron, Inc. rev. 02/01/2012 DIM-WorkFit-S-Worksurface Content is subject to change without notification

Americas Sales and Corporate Headquarters

St. Paul, MN USA
(800) 888-8458
+1-651-681-7600
www.ergotron.com
sales@ergotron.com

EMEA Sales

Amersfoort, The Netherlands
+31 33 45 45 600
www.ergotron.com
info.eu@ergotron.com

APAC Sale

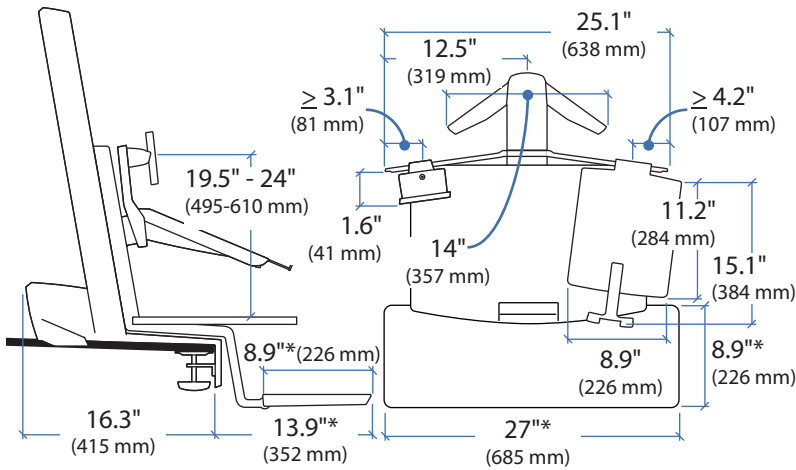
Tokyo, Japan
www.ergotron.com
apaccustomerservice@ergotron.com

Worldwide OEM Sales

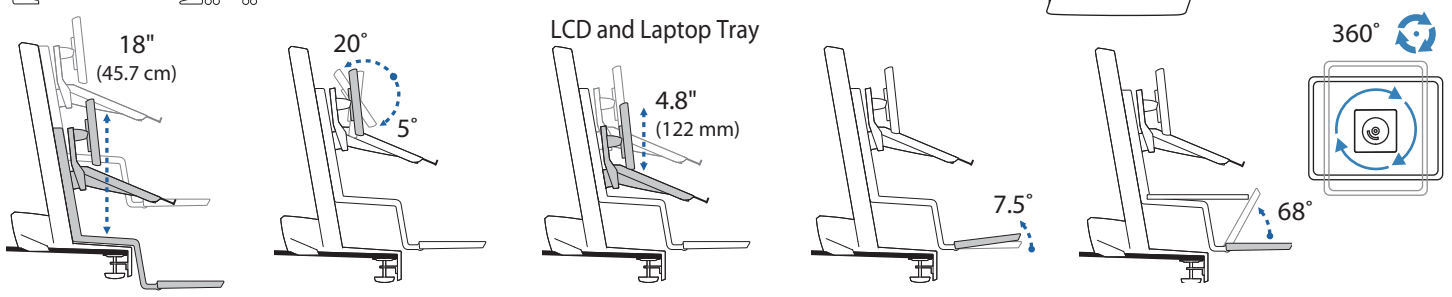
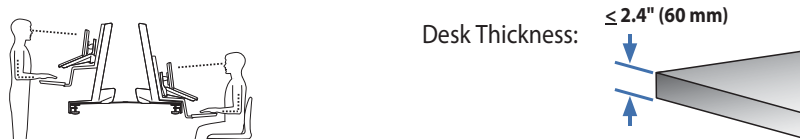
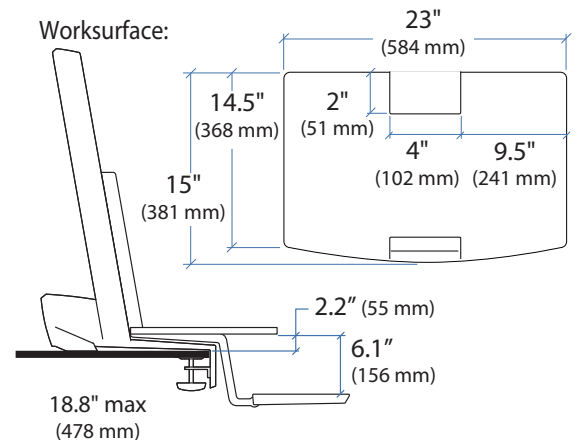
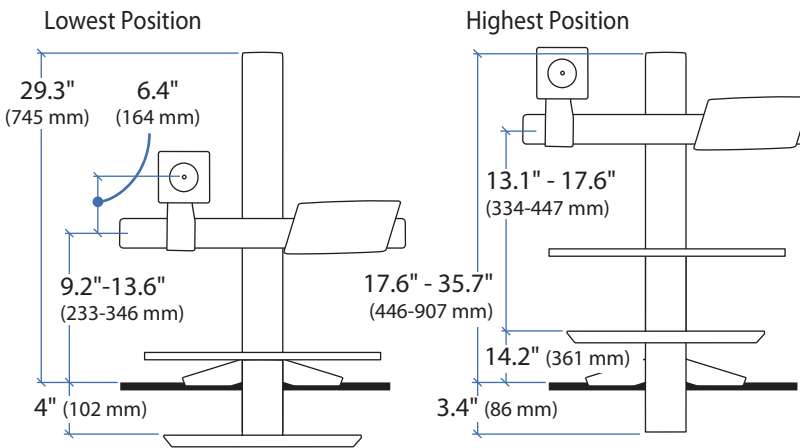
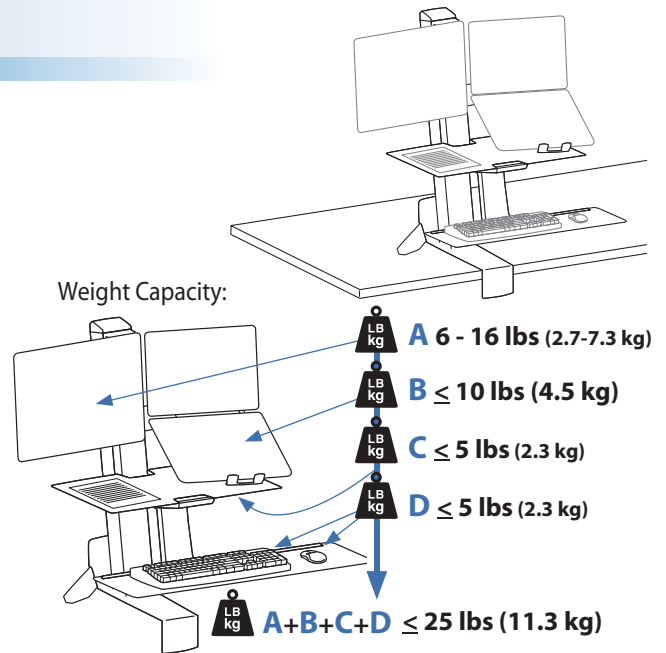
www.ergotron.com
info.oem@ergotron.com



WorkFit-S with Worksurface, LCD & Laptop



*Keyboard Tray has 9 Mounting Locations - see page 5 for details.

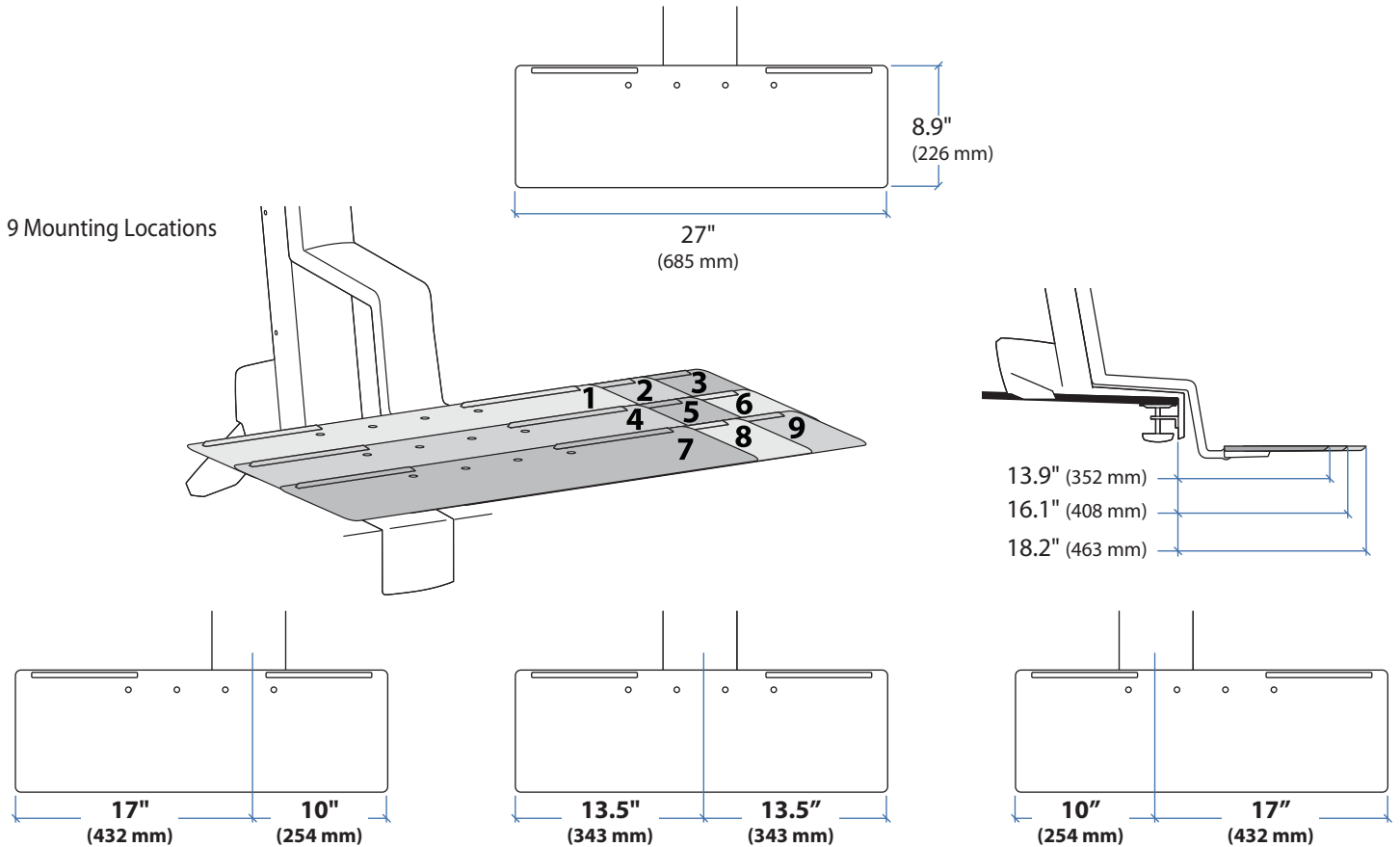


© 2012 Ergotron, Inc. rev. 02/01/2012 DIM-WorkFit-S-Worksurface Content is subject to change without notification

Americas Sales and Corporate Headquarters	EMEA Sales	APAC Sale	Worldwide OEM Sales
St. Paul, MN USA (800) 888-8458 +1-651-681-7600 www.ergotron.com sales@ergotron.com	Amersfoort, The Netherlands +31 33 45 45 600 www.ergotron.com info.eu@ergotron.com	Tokyo, Japan www.ergotron.com apaccustomerservice@ergotron.com	www.ergotron.com info.oem@ergotron.com



WorkFit-S with Worksurface, Keyboard Tray



© 2012 Ergotron, Inc. rev. 02/01/2012 DIM-WorkFit-S-Worksurface Content is subject to change without notification

Americas Sales and Corporate Headquarters

St. Paul, MN USA
 (800) 888-8458
 +1-651-681-7600
www.ergotron.com
sales@ergotron.com

EMEA Sales

Amersfoort, The Netherlands
 +31 33 45 45 600
www.ergotron.com
info.eu@ergotron.com

APAC Sale

Tokyo, Japan
www.ergotron.com
apaccustomerservice@ergotron.com

Worldwide OEM Sales

www.ergotron.com
info.oem@ergotron.com

