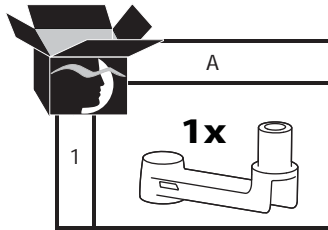


www.ergotron.com
 USA 1-800-888-8458
 Europe +31 (0)33-45 45 600
 China 86-769-86018920



Maximum Display Weight
2 Extensions - With 1 Arm
 Wall Mount: 9.0 kg (20 lbs)
 Grommet Mount: 8.1 kg (18 lbs)
 Desk Mount: 4.5 kg (10 lbs)

Peso máximo de la pantalla
2 Extensiones - Con 1 brazo
 Montaje en pared: 9,0 kg (20 lbs)
 Montaje con tornillo pasante: 8,1 kg (18 lbs)
 Montaje de sobremesa: 4,5 kg (10 lbs)

Poids maximum de l'écran
2 extensions - Avec 1 bras
 Support mural : 9,0 kg (20 livres)
 Fixation Grommet : 8,1 kg (18 livres)
 Support de bureau : 4,5 kg (10 livres)

Maximales Gewicht des Displays
2 Verlängerungen - 1 Arm
 Wandbefestigung: 9,0 kg (20 lbs)
 Direktbefestigung: 8,1 kg (18 lbs)
 Tischbefestigung: 4,5 kg (10 lbs)

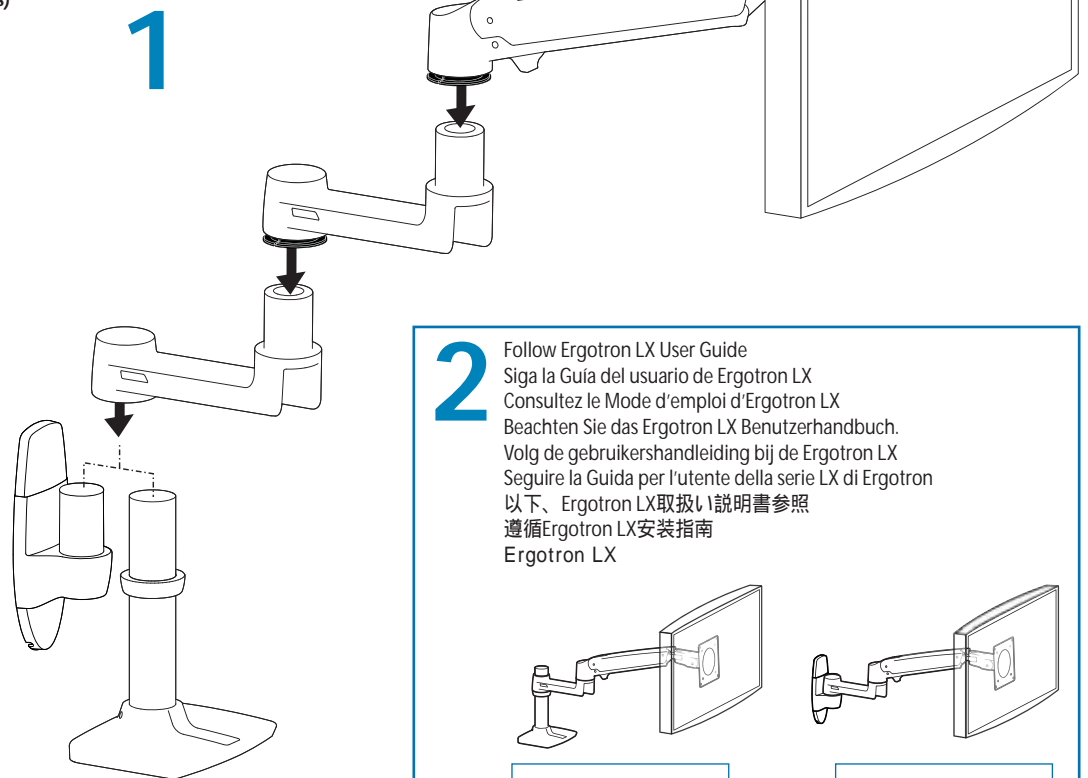
Maximum displaygewicht
2 verlengstukken - met 1 arm
 Muurbevestiging: 9,0 kg
 Oogbevestiging: 8,1 kg
 Bureaubladbevestiging: 4,5 kg

Peso massimo del display
2 prolunghe - Con 1 braccio
 Montaggio a parete: 9,0 kg (20 lb).
 Fissaggio con foro passante: 8,1 kg (18 lb).
 Fissaggio su tavolo 4,5 kg (10 lb).

ディスプレイの最大重量
アーム(1本)付エクステンション(2本)
 ウォールマウント : 9.0 kg (20 lbs)
 グロメットマウント : 8.1 kg (18 lbs)
 デスクマウント : 4.5 kg (10 lbs)

最大显示器重量
1支臂2延伸臂,
 壁式安装 : 9.0 kg (20 lbs)
 护孔圈安装 : 8.1 kg (18 lbs),
 桌面安装 : 4.5 kg (10 lbs),

2 - 1
 : 9.0 kg (20)
 : 8.1 kg (18)
 : 4.5 kg (10)



2 Follow Ergotron LX User Guide
 Siga la Guía del usuario de Ergotron LX
 Consultez le Mode d'emploi d'Ergotron LX
 Beachten Sie das Ergotron LX Benutzerhandbuch.
 Volg de gebruikershandleiding bij de Ergotron LX
 Seguire la Guida per l'utente della serie LX di Ergotron
 以下、Ergotron LX取扱い説明書参照
 遵循Ergotron LX安装指南
 Ergotron LX

888-45-040 **888-45-041**

© 2009 Ergotron, Inc. All rights reserved.

While Ergotron, Inc. makes every effort to provide accurate and complete information on the installation and use of its products, it will not be held liable for any editorial errors or omissions (including those made in the process of translation from English to another language), or for incidental, special or consequential damages of any nature resulting from furnishing this instruction and performance of equipment in connection with this instruction. Ergotron, Inc. reserves the right to make changes in the product design and/or product documentation without notification to its users. For the most current product information, or to know if this document is available in languages other than those herein, please contact Ergotron. No part of this publication may be reproduced, stored in a retrieval system, or transmitted in any form or by any means, electronic, mechanical, photocopying, recording or otherwise without the prior written consent of Ergotron, Inc., 1181 Trapp Road, Eagan, Minnesota, 55121, USA Patents Pending and Patented U.S. & Foreign. Ergotron is a registered trademark of Ergotron, Inc.

Americas Sales and Corporate Headquarters
 St. Paul, MN USA
 (800) 888-8458
 +1-651-681-7600
www.ergotron.com
sales@ergotron.com

EMEA Sales
 Amersfoort, The Netherlands
 +31 33 45 45 600
www.ergotron.com
info.eu@ergotron.com

APAC Sales
 Tokyo, Japan
www.ergotron.com
apaccustomerservice@ergotron.com

Worldwide OEM Sales
www.ergotron.com
info.oem@ergotron.com

