

Use this Guide to install the Vertical Lift with the OSHPD Mounting Kit between two studs located 16" on center.

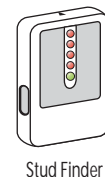
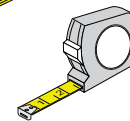
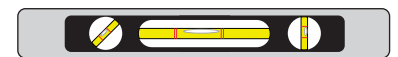
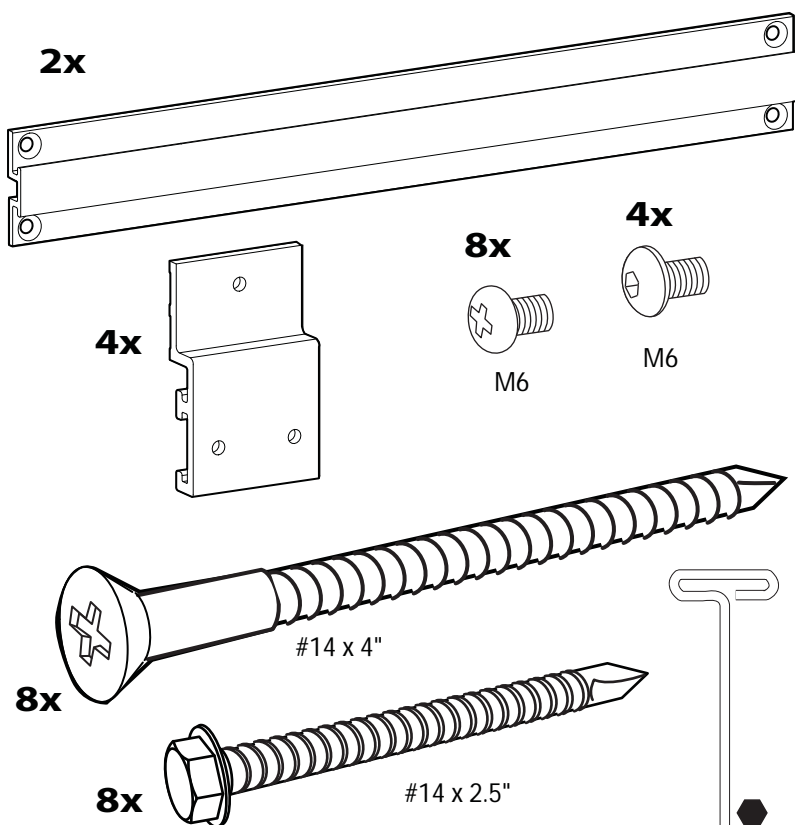
After mounting to the wall, refer to the Vertical Lift User Guide for further instructions on assembly and use.

The OSHPD Mounting Kit for Vertical Lift can be attached in one of two ways, depending on the wall construction:

- 2x4" (51-102mm) Wood Studs: 16" on center
- Steel Studs: 20 gauge thick or thicker, 16" on center

 **CAUTION:** Two people are required to install this product.

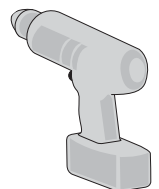
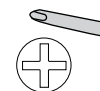
 www.ergotron.com
 USA 1-800-888-8458
 Europe +31 (0)33-45 45 600
 China 86-769-86018920



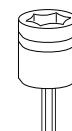
Wood Stud Walls



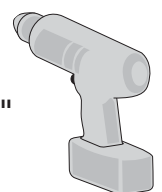
Ø 3/16" (5 mm)



Steel Stud Walls



3/8"



1 Calculate the ergonomic mounting height of the Vertical Lift in the following manner:

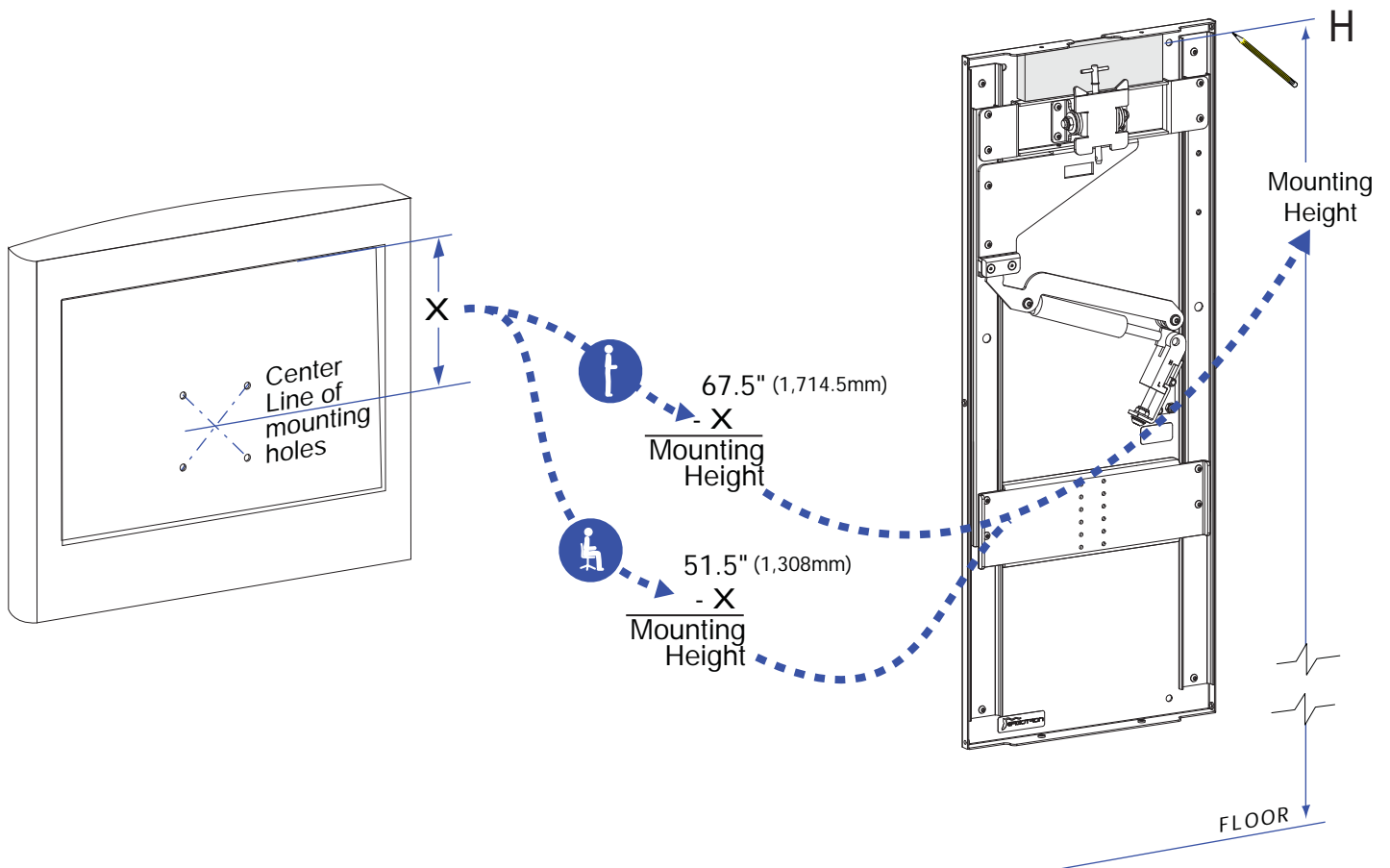
a. Measure the distance from the top of the monitor screen to the center of the mounting screw pattern to achieve measurement X.

b. Subtract X from 67.5" to obtain H the ergonomic height for SITTING applications.

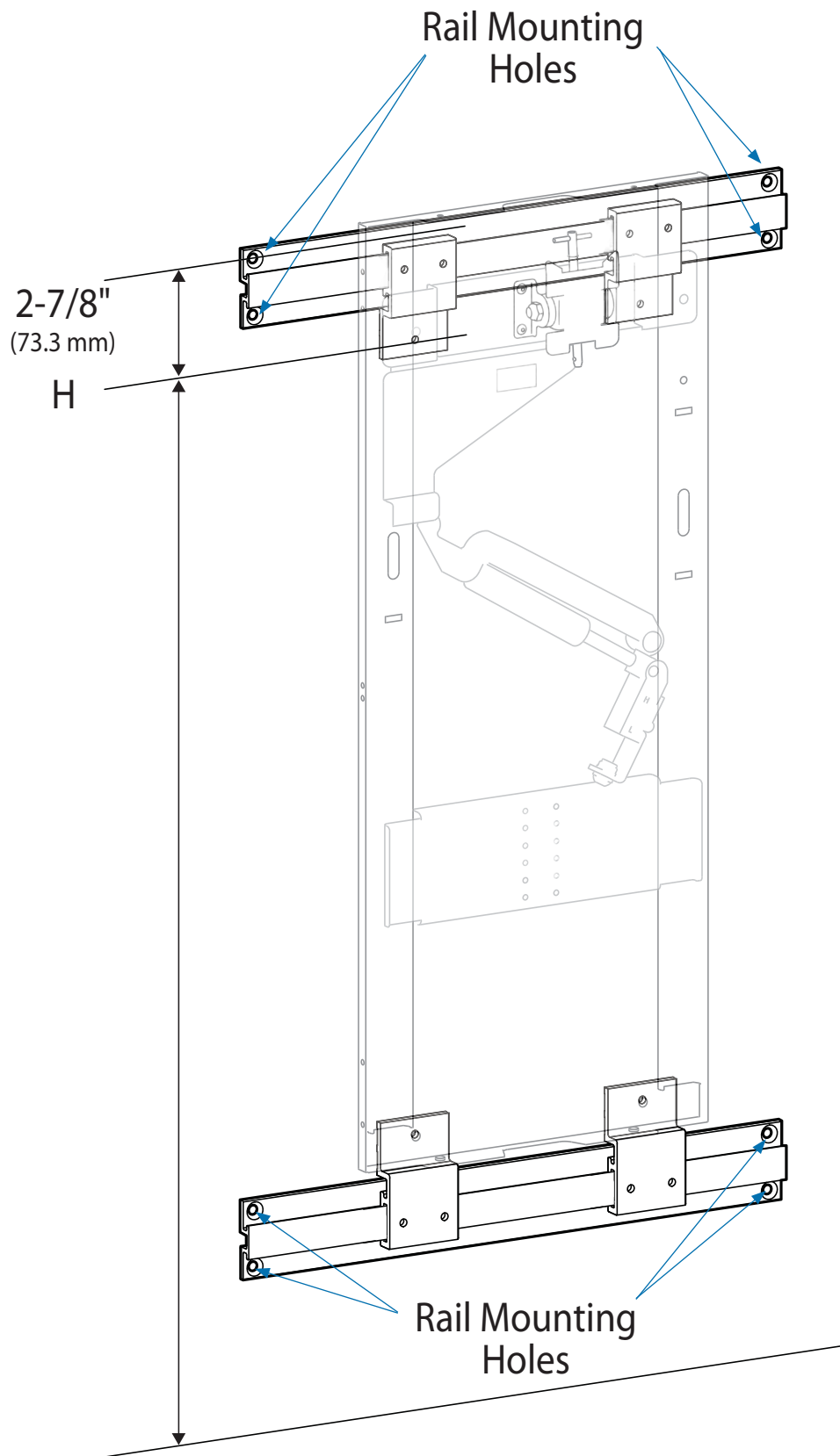
or

Subtract X from 51.5" to obtain H the ergonomic height for STANDING applications.

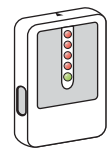
EXAMPLE:



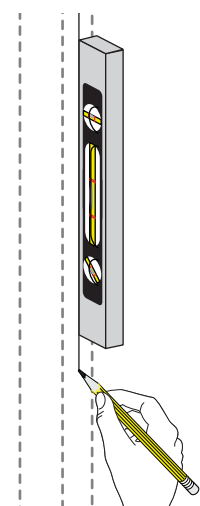
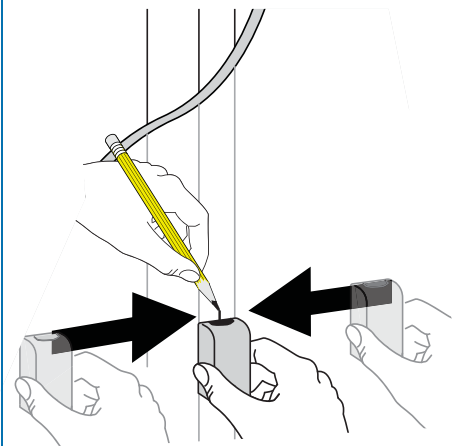
2 Add 2-7/8" to the mounting hole height "H" calculated in Step 1. Use this measurement to mark the rail mounting holes on the studs.



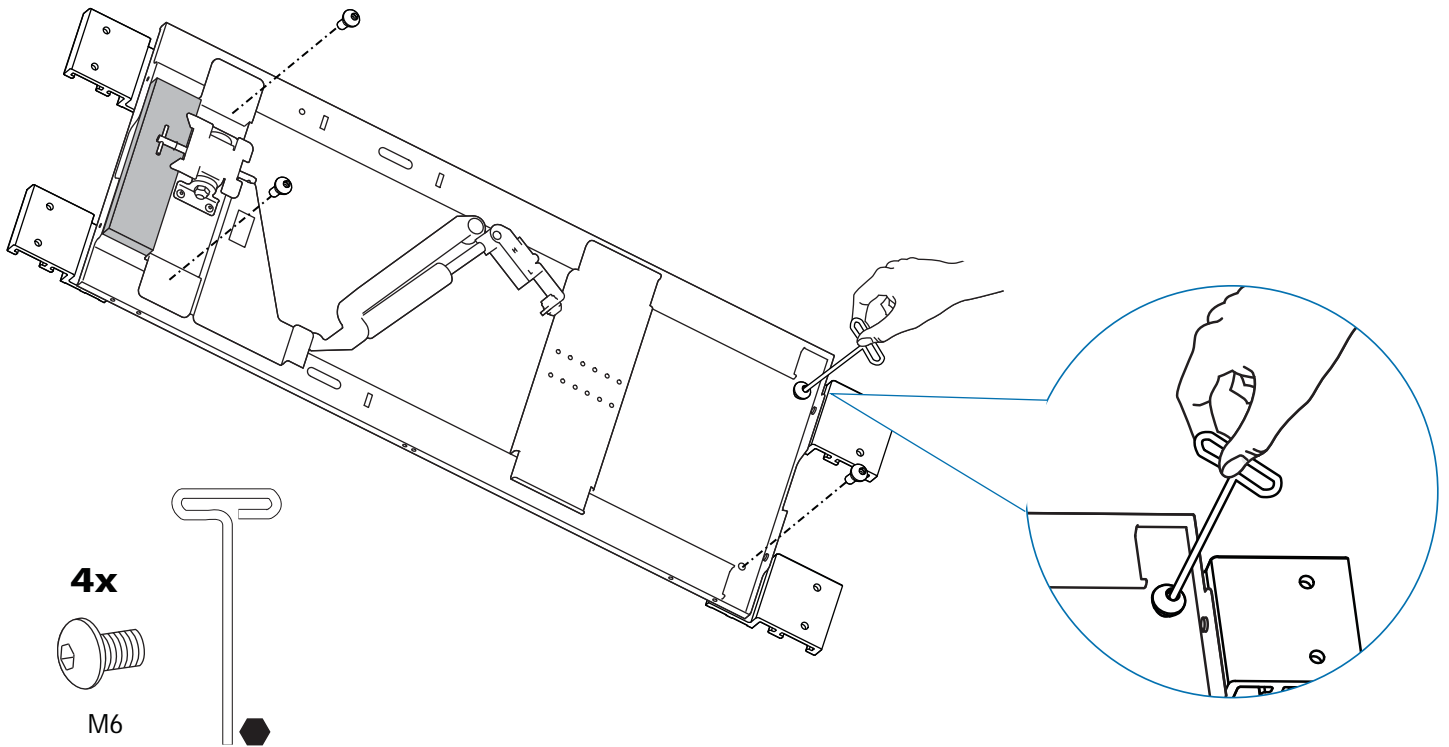
3 Verify stud locations with a stud finder, then mark rail mounting hole locations (found in Step 2). Use a level to ensure the final installation is stable and secure.



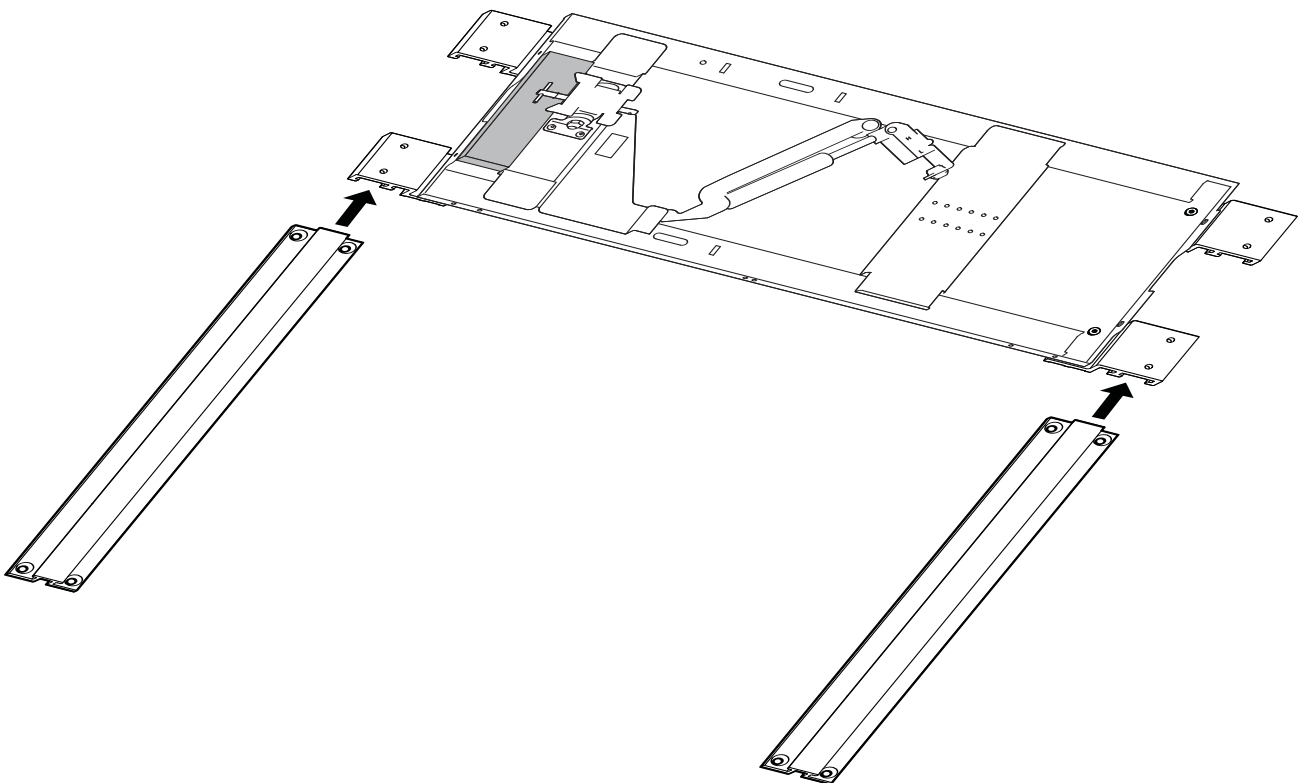
Stud Finder



4 Attach the four OSHPD hangers to the Vertical Lift chassis with the provided hex head wrench and screws.



5 Slide OSPHD rails onto the Vertical Lift chassis.

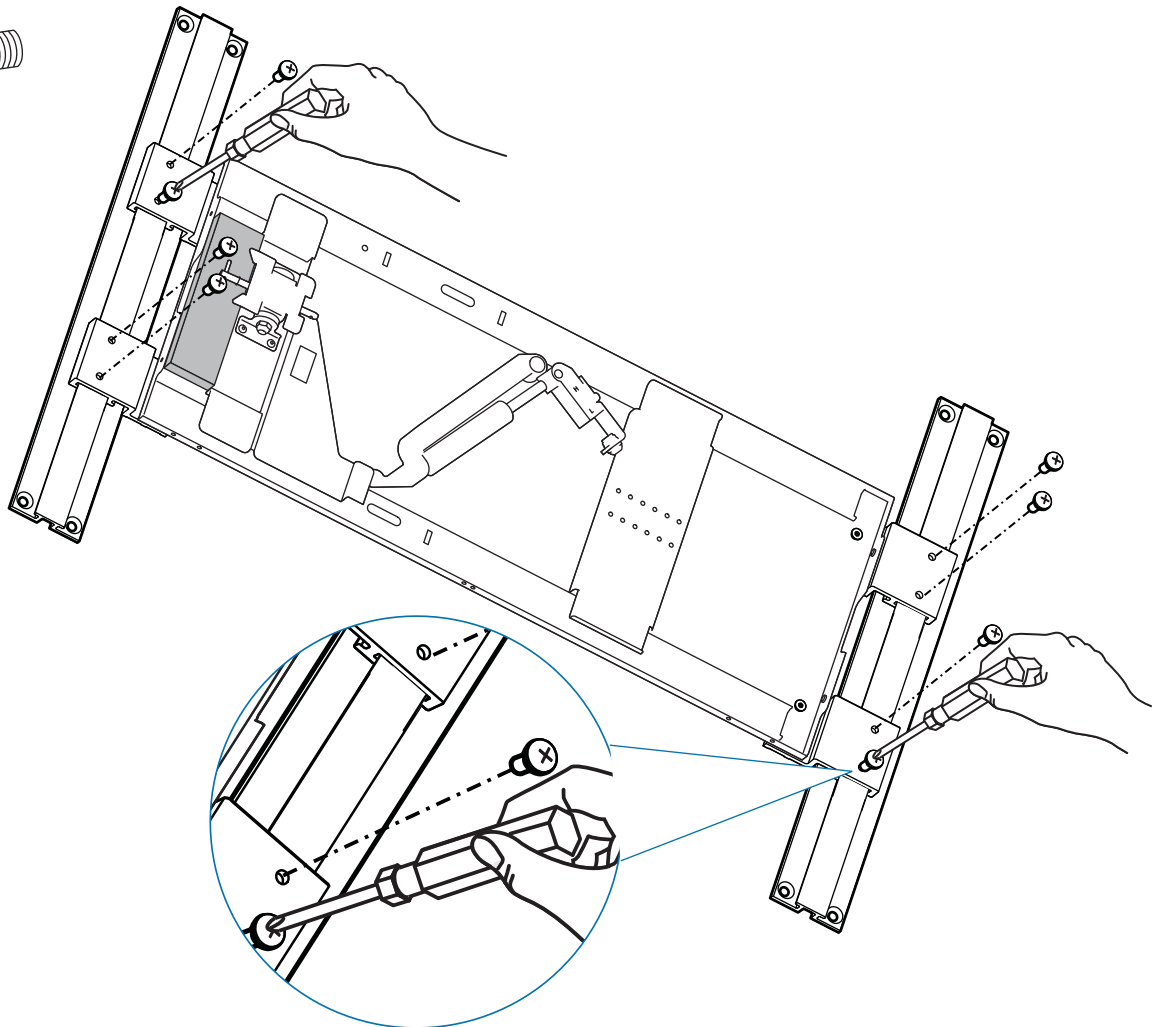


6 Insert two of the provided M6, Phillips screws into each of the OSHPD hangers to secure Vertical Lift chassis to the OSHPD rails.

8x



M6



7 Mount the OSHPD rails to the wall studs.

Choose from two mounting methods, based on wall type:

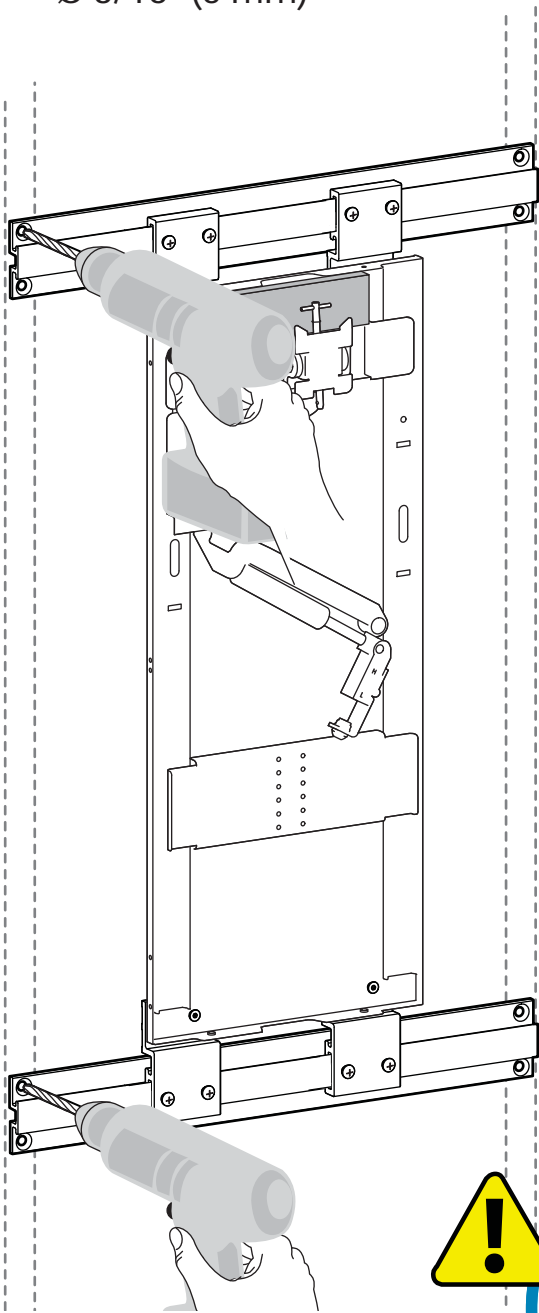
- Wood stud: page 6
- Steel stud: page 7

7 WOOD STUD

a Drill eight pilot holes with 3/16" (5 mm) wood bit.

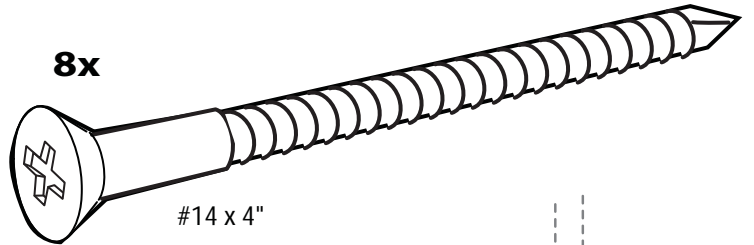


Ø 3/16" (5 mm)

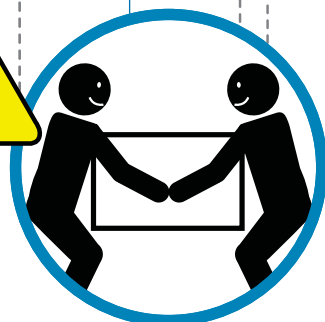
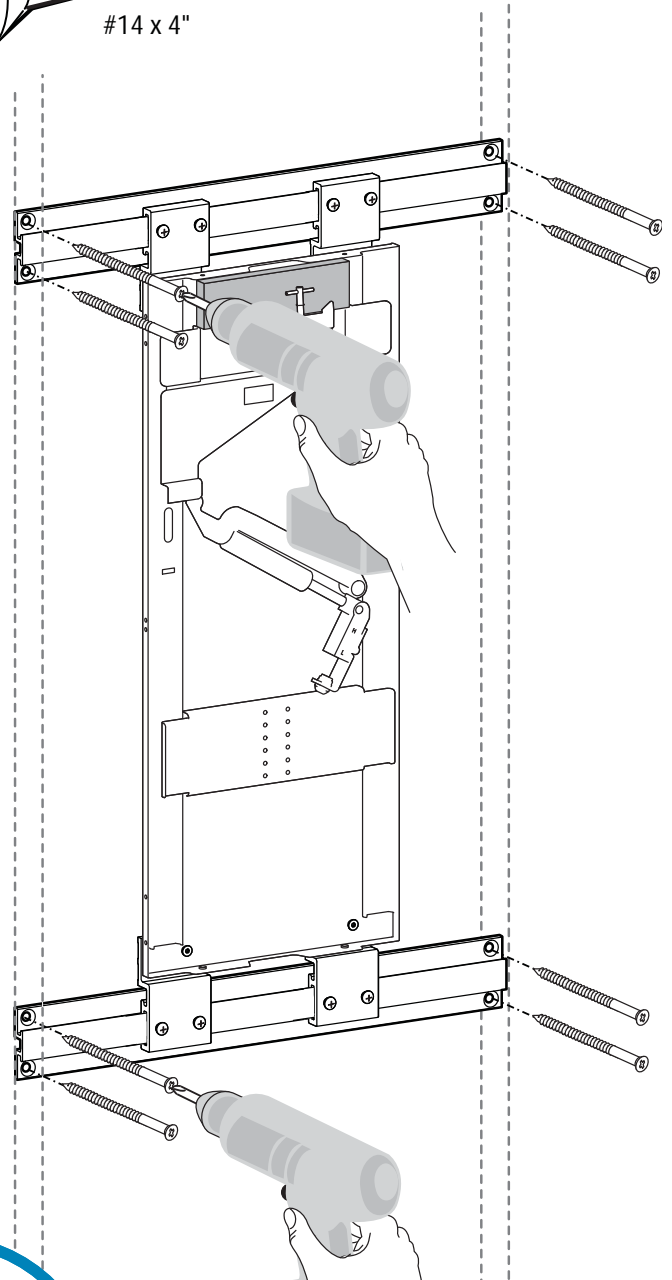


b Using a Phillips bit, drive the eight provided #14x4" wood screws through the rails and into the studs.

8x



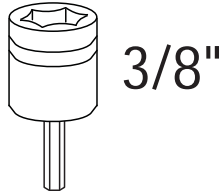
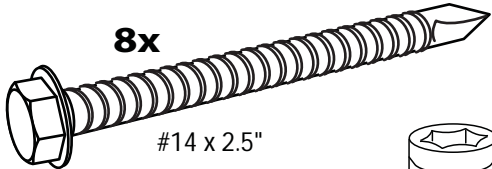
#14 x 4"



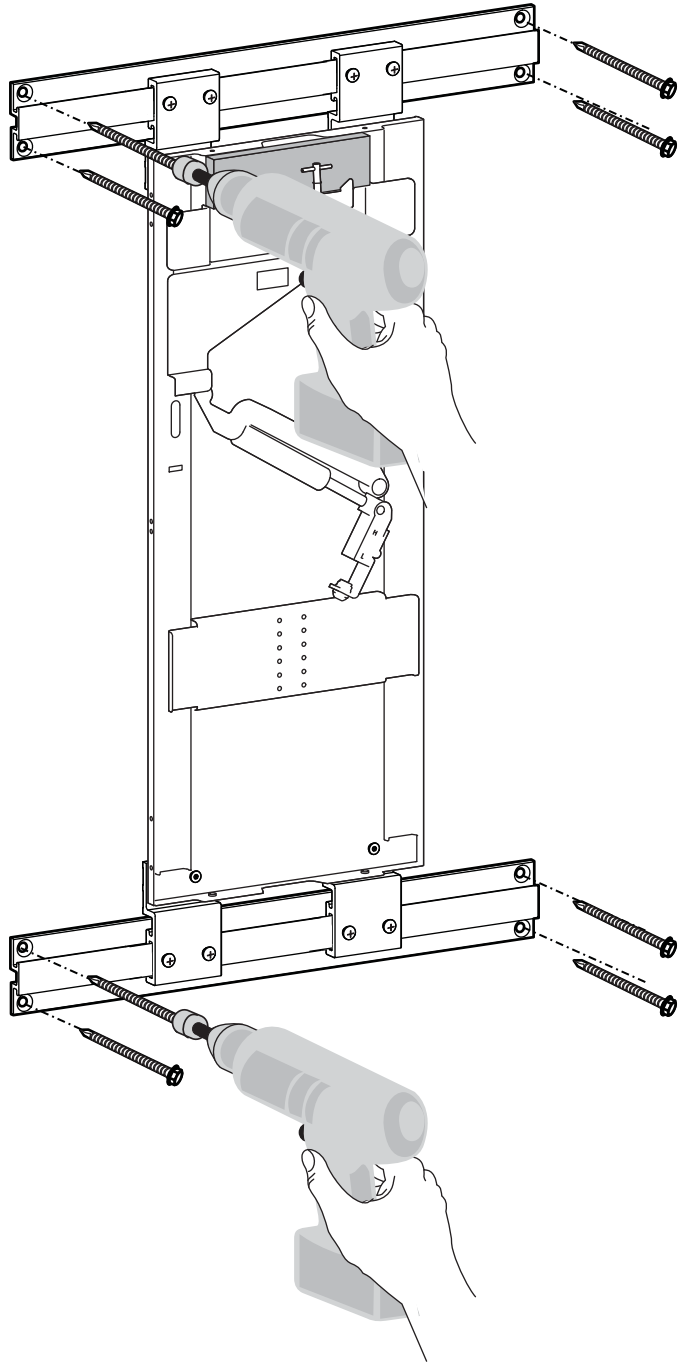
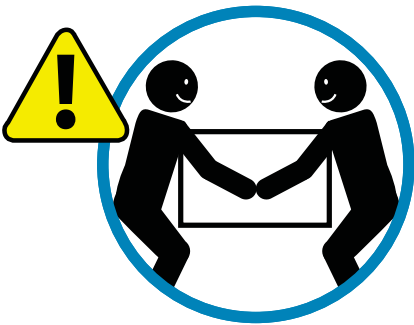
CAUTION: Make sure the wall mount bracket is level, flush and snug to the wall surface.

7 STEEL STUD

a Using a 3/8" socket, drive the eight provided #14x2.5" screws through the rails and into the studs.



CAUTION: Make sure the wall mount bracket is level, flush and snug to the wall surface.



Ergotron Limited Warranty

Ergotron warrants that its products will remain free of defects in material and workmanship for five (5) years. All subject to the exceptions, exclusions and limitations as set forth below.

Exceptions to this warranty include:

- Three (3)-year warranty on all Neo-Flex™ by Ergotron products
- StyleView Carts:
 - Two (2)-year warranty on all power supply components by Ergotron
 - Battery carries an up to a one (1)-year performance warranty (see Limitations below) and six (6)-month warranty against manufacturer's defects. Note: In EU, the warranty against manufacturer's defects is two (2)-years.
 - One (1)-year warranty on all electronic non-power supply components (excludes AA batteries)
- OEM products resold by Ergotron are warranted by the respective manufacturer
- Product that is refurbished by Ergotron and sold by Ergotron carries a 90-day warranty
- Thirty (30)-day warranty on all service programs
- Ergotron warranties are nontransferable

Exclusive Remedy: If any Ergotron equipment is or becomes defective in material or workmanship during the warranty period, Ergotron will determine with the customer if the product defect is covered under warranty. Ergotron, at its sole discretion, may replace or repair the unit determined to be under warranty at a designated Ergotron location or at the customer location. The purchaser must get pre-approved authorization to return product to Ergotron. The Purchaser must contact Ergotron to obtain an RMA (Return Material Authorization) number. Ergotron will promptly repair or replace the item and ship it to Purchaser at no charge to the Purchaser. Performance of repair or replacement does not renew or extend the warranty period.


THIS REMEDY IS THE EXCLUSIVE REMEDY FOR BREACH OF WARRANTY AS TO THE EQUIPMENT, except in respect to personal injury. Purchaser shall give Ergotron immediate written notice of any personal injury resulting from use of Ergotron equipment.

Exclusions and Limitations: Ergotron disclaims liability for injuries or losses caused by or associated with installation or use of its equipment in any manner other than in strict conformance with the instructions set forth in its installation manuals, supplemental assembly and installation instruction sheets, technical bulletins or product literature, or by equipment that has been altered, damaged or misused.

Warranty on fully charged batteries left in an unused state for more than three (3) consecutive months is automatically void. Warranty on fully discharged batteries left in an unused state for more than three (3) consecutive days is automatically void.

Two (2)-year warranty on all power supply components by Ergotron; battery carries a 90 day performance warranty and six (6) month warranty against manufacturer's defects. Performance warranty is extended to 1 year on the battery providing:

- StyleLink software is installed and it shows compliance with exclusions and limitations
- Battery is not discharged below 25% capacity more than 25 times



© 2009 Ergotron, Inc.
All rights reserved.

While Ergotron, Inc. makes every effort to provide accurate and complete information on the installation and use of its products, it will not be held liable for any editorial errors or omissions (including those made in the process of translation from English to another language), or for incidental, special or consequential damages of any nature resulting from furnishing this instruction and performance of equipment in connection with this instruction. Ergotron, Inc. reserves the right to make changes in the product design and/or product documentation without notification to its users. For the most current product information, or to know if this document is available in languages other than those herein, please contact Ergotron. No part of this publication may be reproduced, stored in a retrieval system, or transmitted in any form or by any means, electronic, mechanical, photocopying, recording or otherwise without the prior written consent of Ergotron, Inc., 1181 Trapp Road, Eagan, Minnesota, 55121, USA Patents Pending and Patented U.S. & Foreign. Ergotron is a registered trademark of Ergotron, Inc.

Americas Sales and Corporate Headquarters

St. Paul, MN USA
(800) 888-8458
+1-651-681-7600
www.ergotron.com
sales@ergotron.com

EMEA Sales

Amersfoort, The Netherlands
+31 33 45 45 600
www.ergotron.com
info.eu@ergotron.com

APAC Sales

Tokyo, Japan
www.ergotron.com
apaccustomerservice@ergotron.com

Worldwide OEM Sales

www.ergotron.com
info.oem@ergotron.com