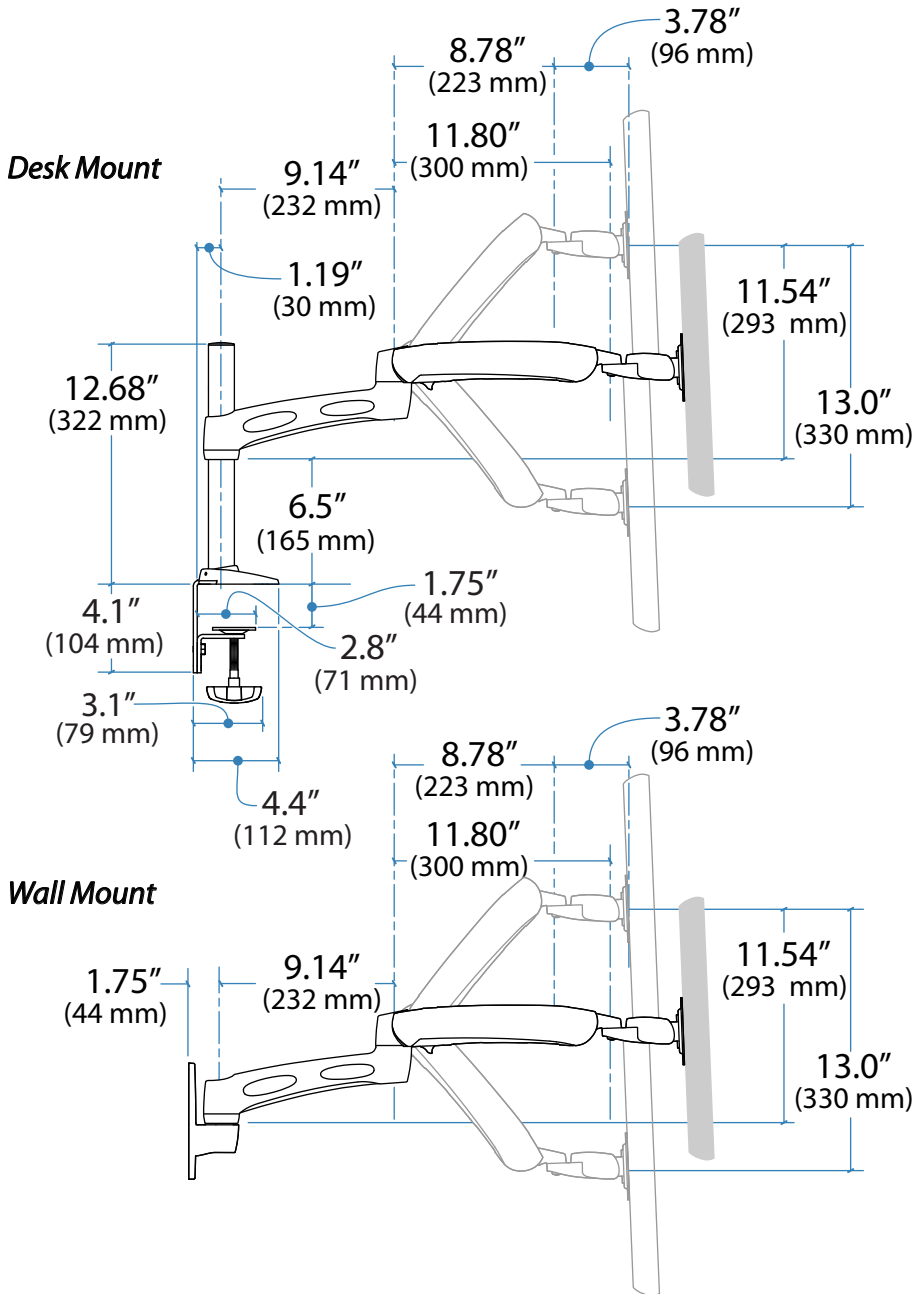
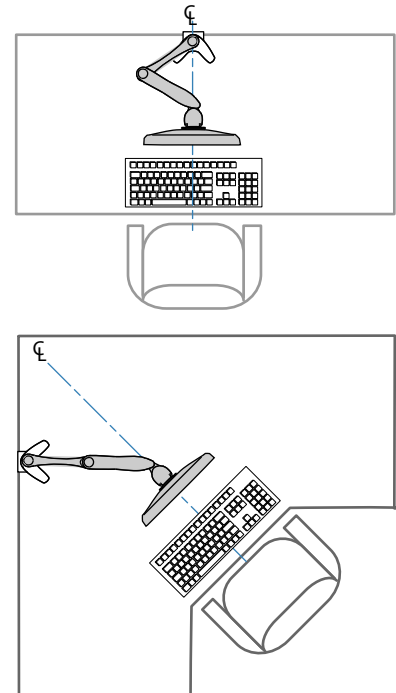


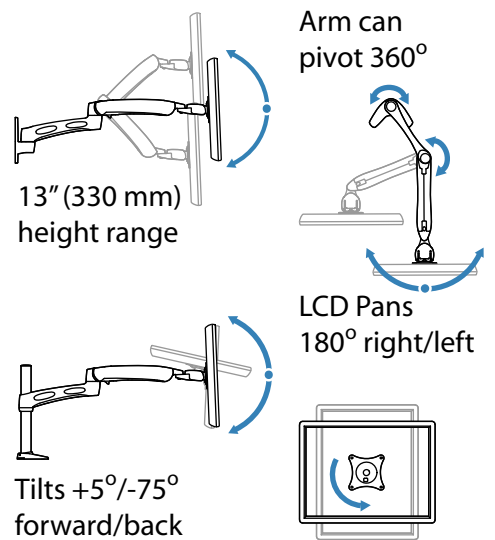
### Desk and Wall Mount Arm



#### Top View Desk Installation



#### Range of Motion



Monitor depth greater than 2" (5 cm) may diminish capacity.

Maximum Display Thickness	Maximum Display Weight
2" (51 mm)	20 lbs (9.1 kg)
2-1/2" (64 mm)	15 lbs (7.0 kg)
3" (76 mm)	13 lbs (5.8 kg)
3-1/2" (90 mm)	11 lbs (5.0 kg)
4" (102 mm)	10 lbs (4.5 kg)

© 2006 Ergotron, Inc. rev. 02/27/2006 DIM-056 Content is subject to change without notification.

Americas Sales and Corporate Headquarters	EMEA Sales	APAC Sales	Worldwide OEM Sales
St. Paul, MN USA (800) 888-8458 +1-651-681-7600 www.ergotron.com sales@ergotron.com	Amersfoort, The Netherlands +31 33 45 45 600 www.ergotron.com info.eu@ergotron.com	Singapore www.ergotron.com info.apac@ergotron.com	www.ergotron.com info.oem@ergotron.com



LCD rotates 90° portrait/landscape