

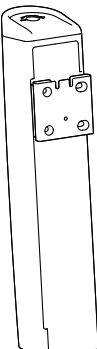
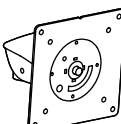
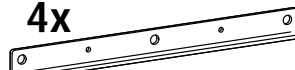







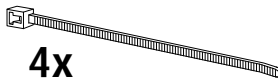
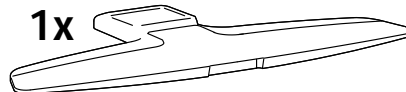
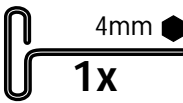
www.ergotron.com

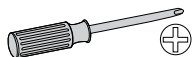
USA 1-800-888-8458

Europe +31 (0)33-45 45 600

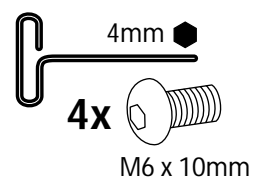
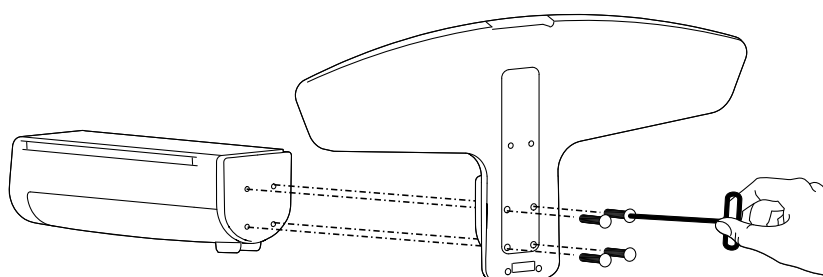
China 86-769-86018920



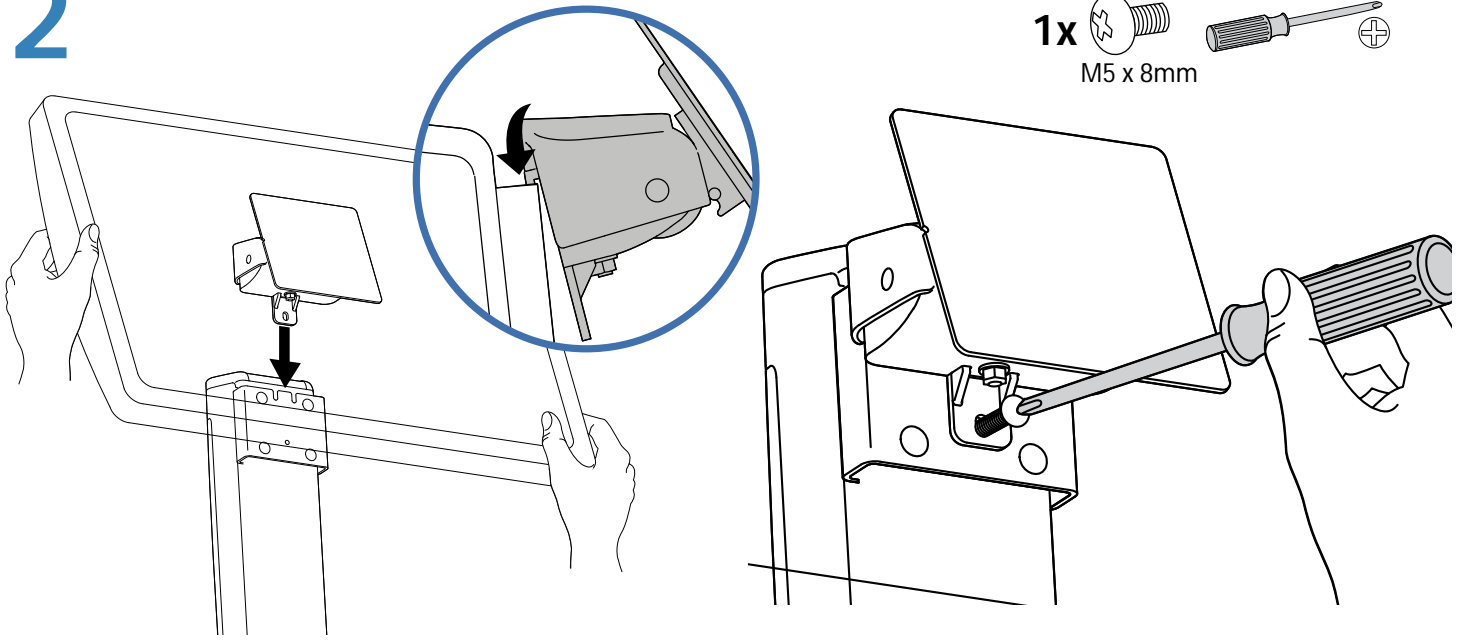
	A	B	C		D	E
1	1x 	1x 	4x 		4x  M6 x 10mm	4x  M4 x 12mm
2			8x  M4 x 6mm	6x  6mm	1x  M5 x 8mm	6x  M6 x 14mm
3					1x  M3 x 6mm	4x 
4		1x 			 4mm 1x	



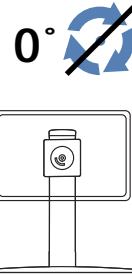
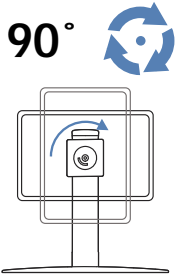
1



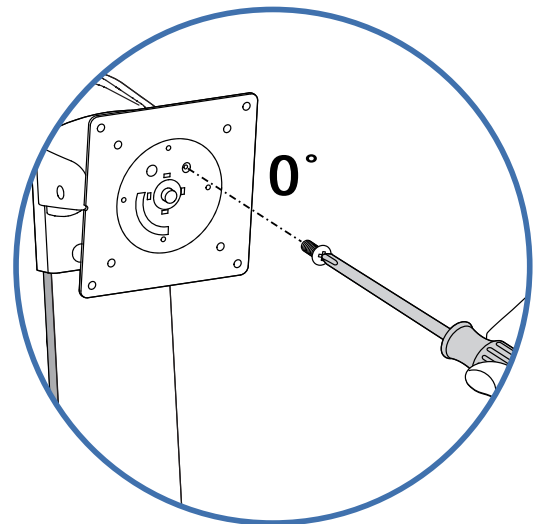
2



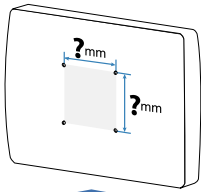
3



1x
M3 x 6mm

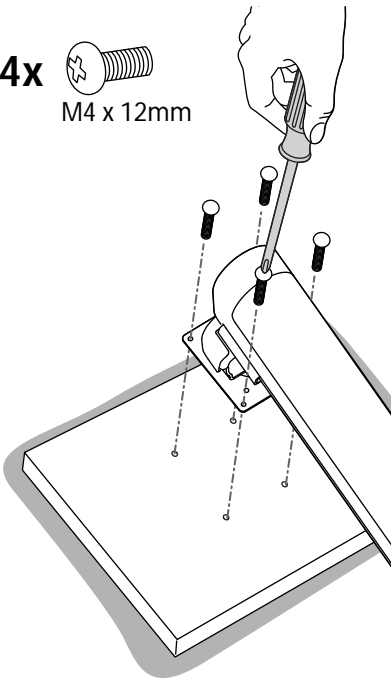


4



75x75mm
100x100mm

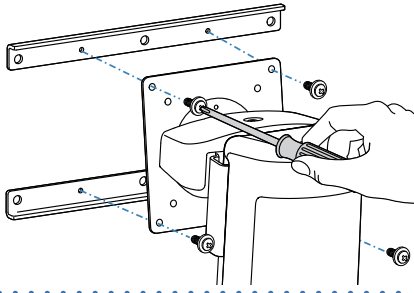
4x
M4 x 12mm



200x100mm

a

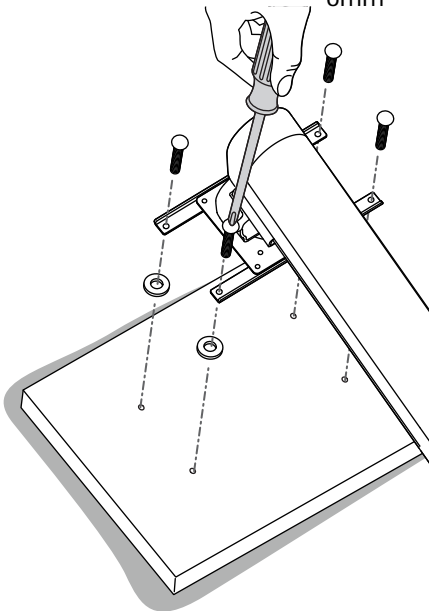
4x
M4 x 6mm



b

4x
M6 x 14mm

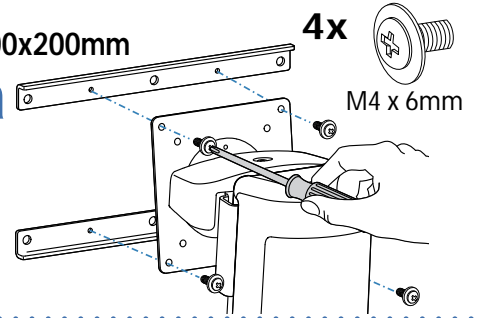
4x
6mm



200x200mm

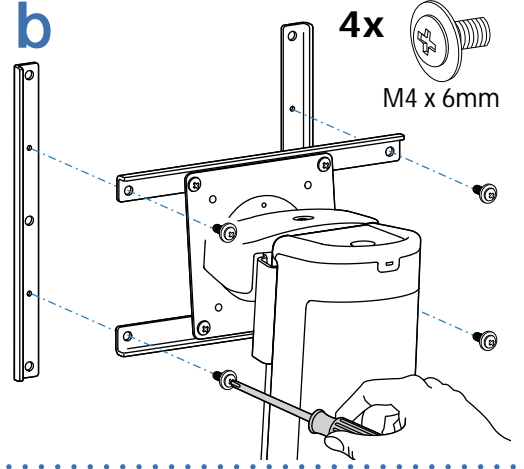
a

4x
M4 x 6mm



b

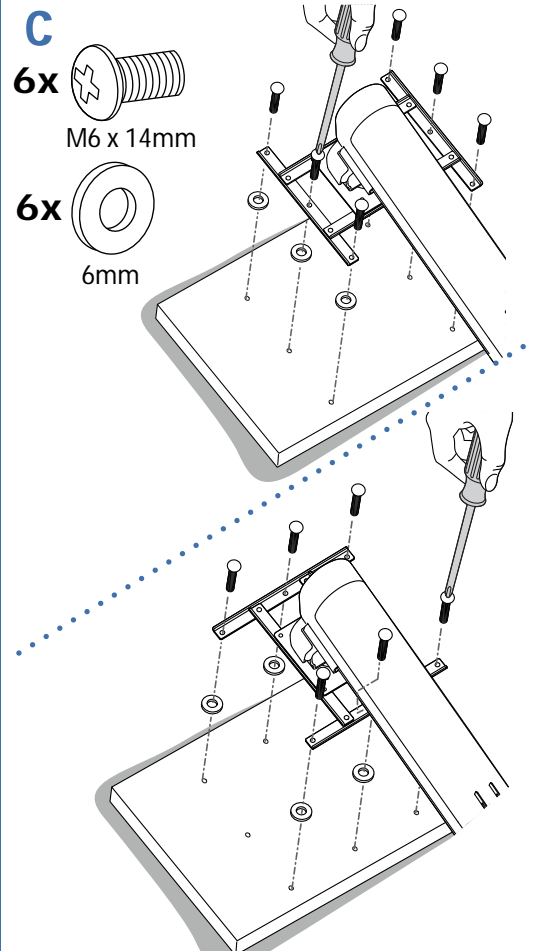
4x
M4 x 6mm



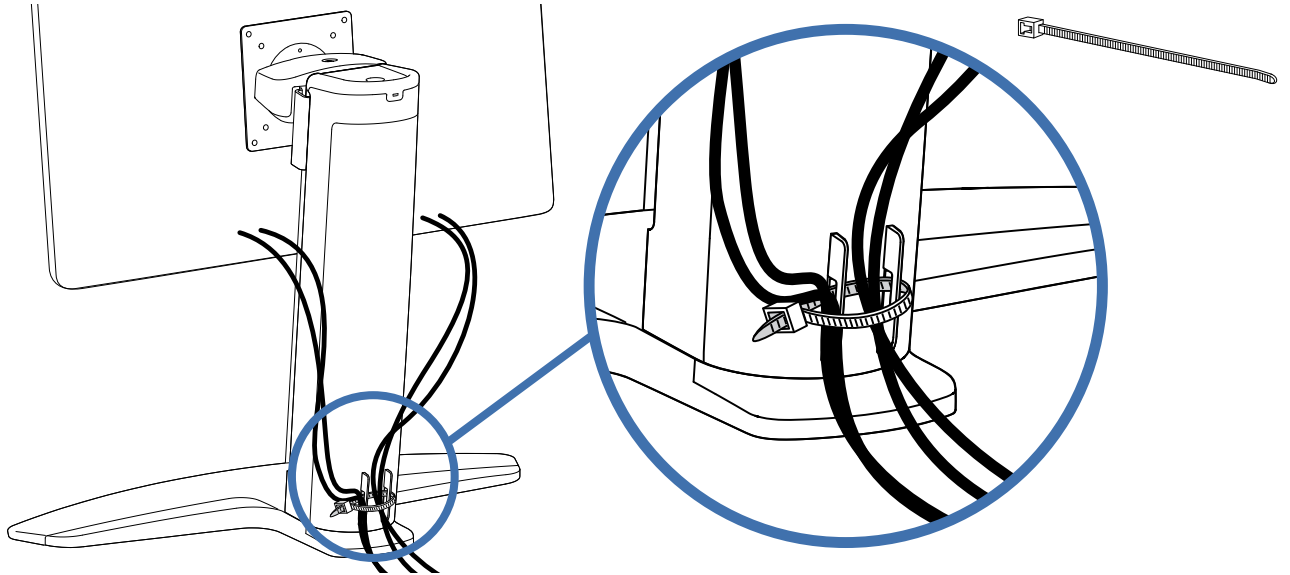
c

6x
M6 x 14mm

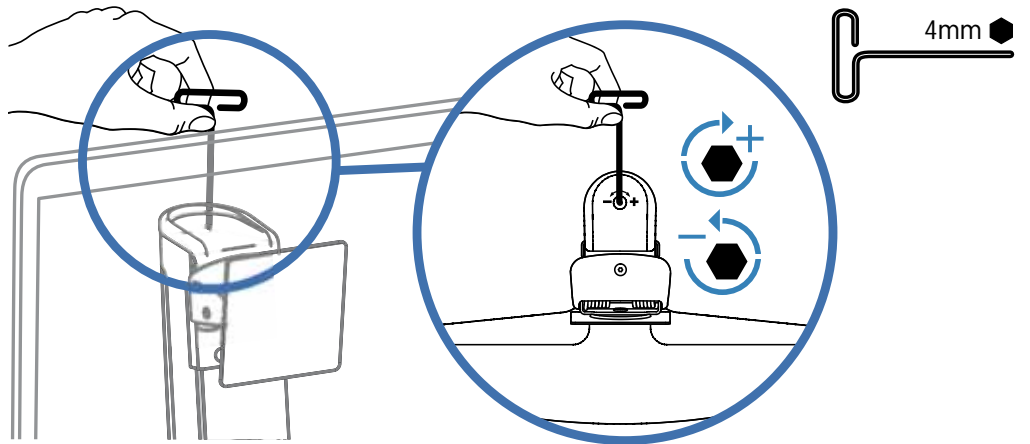
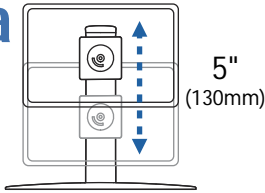
6x
6mm



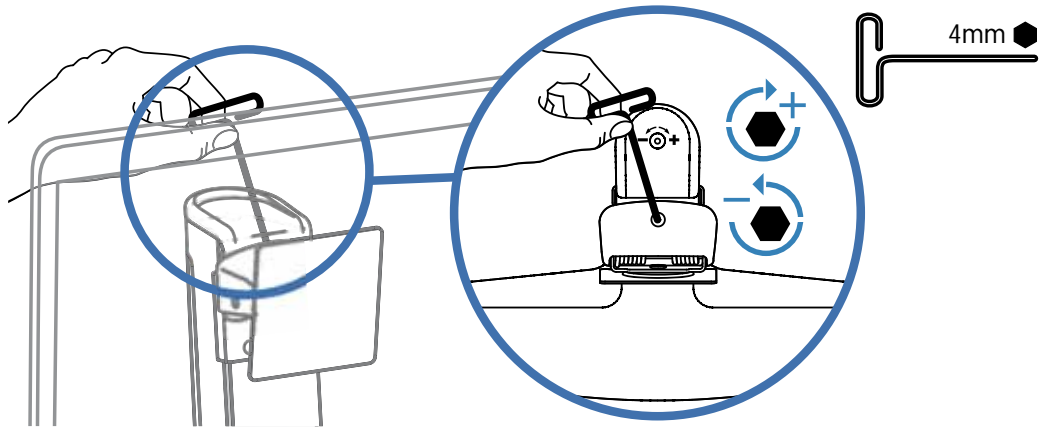
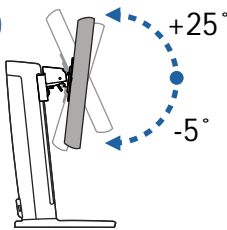
5



6 a



b



© 2007 Ergotron, Inc.
All rights reserved.

While Ergotron, Inc. makes every effort to provide accurate and complete information on the installation and use of its products, it will not be held liable for any editorial errors or omissions (including those made in the process of translation from English to another language), or for incidental, special or consequential damages of any nature resulting from furnishing this instruction and performance of equipment in connection with this instruction. Ergotron, Inc. reserves the right to make changes in the product design and/or product documentation without notification to its users. For the most current product information, or to know if this document is available in languages other than those herein, please contact Ergotron. No part of this publication may be reproduced, stored in a retrieval system, or transmitted in any form or by any means, electronic, mechanical, photocopying, recording or otherwise without the prior written consent of Ergotron, Inc., 1181 Trapp Road, Eagan, Minnesota, 55121, USA. Patents Pending and Patented U.S. & Foreign. Ergotron is a registered trademark of Ergotron, Inc.

Americas Sales and Corporate Headquarters

St. Paul, MN USA
(800) 888-8458
+1-651-681-7600
www.ergotron.com
sales@ergotron.com

EMEA Sales

Amersfoort, The Netherlands
+31 33 45 45 600
www.ergotron.com
info.eu@ergotron.com

APAC Sales

Singapore
www.ergotron.com
info.apac@ergotron.com

Worldwide OEM Sales

www.ergotron.com
info.apac@ergotron.com

