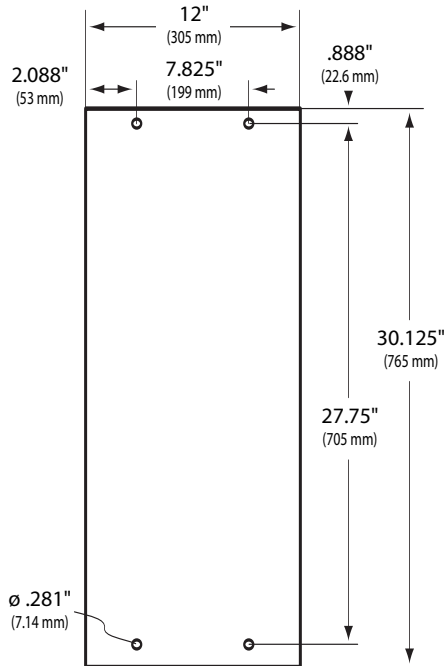
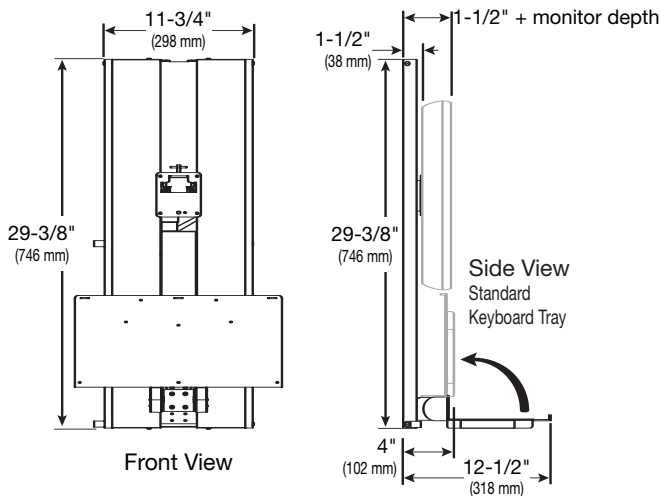


for low profile, wall-mounted applications

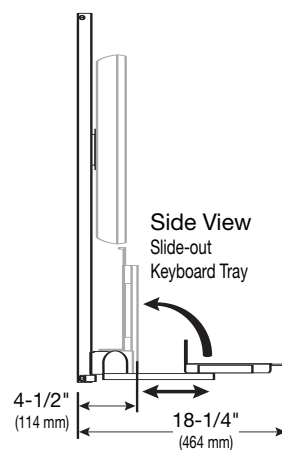
Vertical Lift Hole Pattern



VL-9 w/ Standard Keyboard Tray (25-022-xxx)



VL-9 w/ Slide-Out Keyboard Tray (25-027-xxx)



VL Series Attachment

For VL Series to remain less than 4" (102 mm) from the wall when in storage position, follow these guidelines:

1. Monitor must not be more than 2-1/2" (63 mm) thick.
2. Keyboard should not be more than 7-1/4" (184 mm) deep.
3. Dimension "A" must be no greater than 8-3/4" (222 mm).
4. Slide-Out Keyboard option cannot be used as its depth = 4-1/2" (114 mm).

