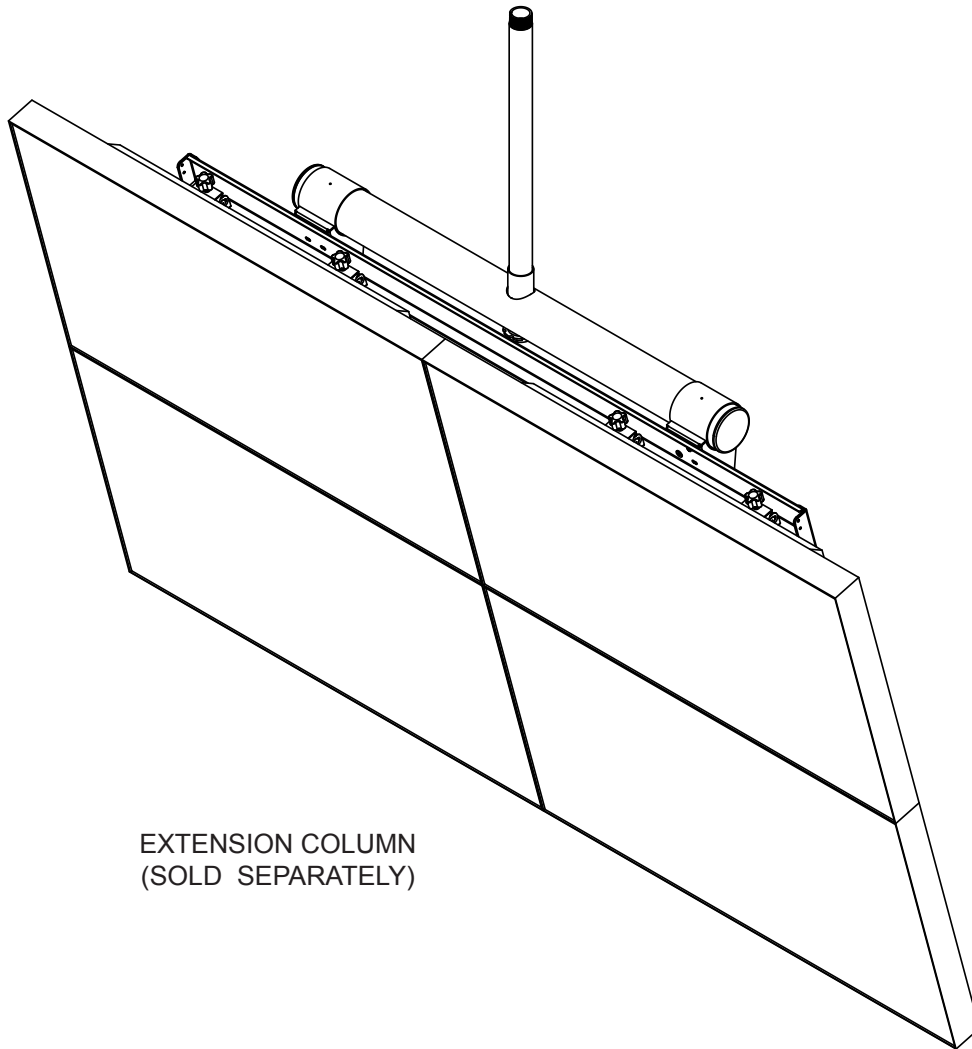




# Installation and Assembly: 2 x 2 Video Wall Ceiling Mount for 40" - 55" flat Panel Displays

Model: DS-VWT955-2X2



EXTENSION COLUMN  
(SOLD SEPARATELY)

## COMPATIBILITY

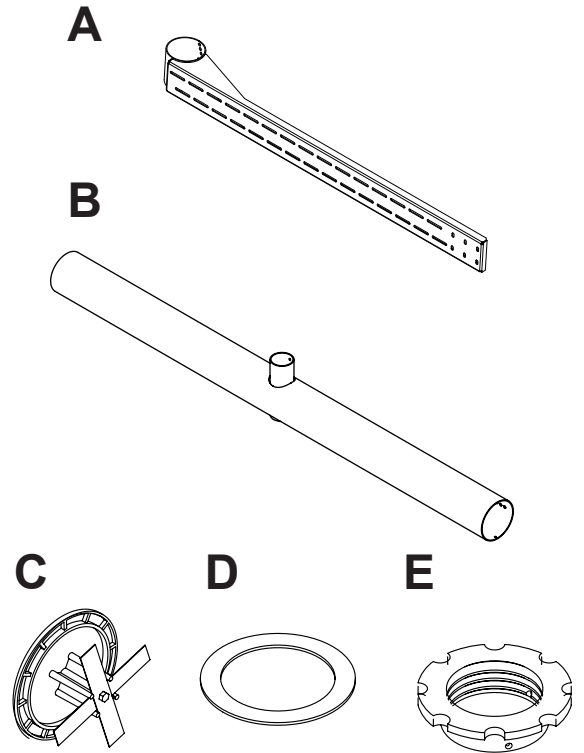
Display width must be a minimum of 36"  
Display height must be a minimum of 20.875"  
Screen width + horizontal mounting hole pattern must be less than 1745mm

For 200 mm vertical mounting patterns, screen height + mounting hole pattern must be  $\leq 890$  mm  
For 300 mm vertical mounting patterns, screen height + mounting hole pattern must be  $\leq 990$  mm  
For 400 mm vertical mounting patterns, screen height + mounting hole pattern must be  $\leq 1090$  mm

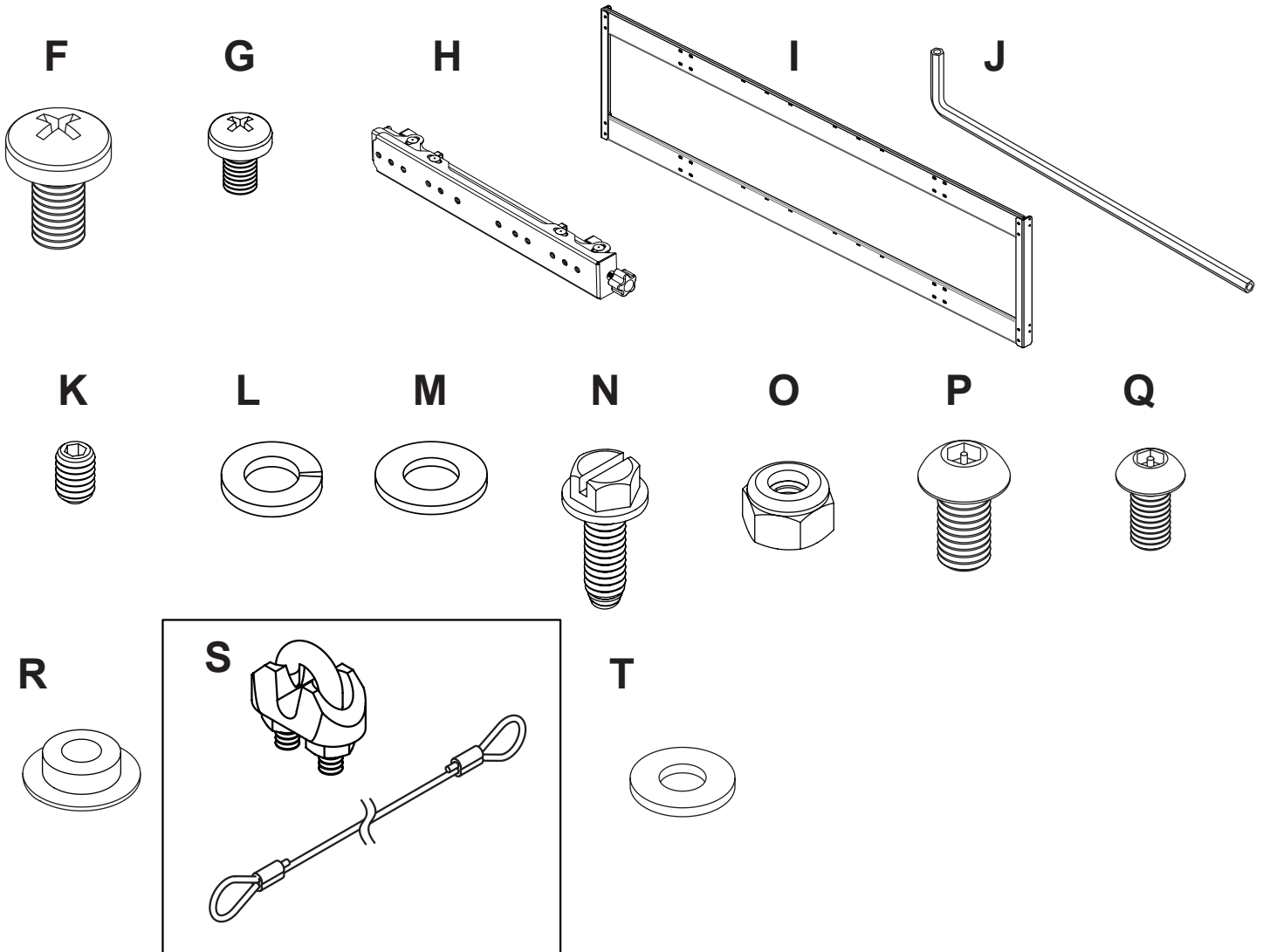
**Maximum Load Capacity:** 300 lb (136 kg)

# Parts List

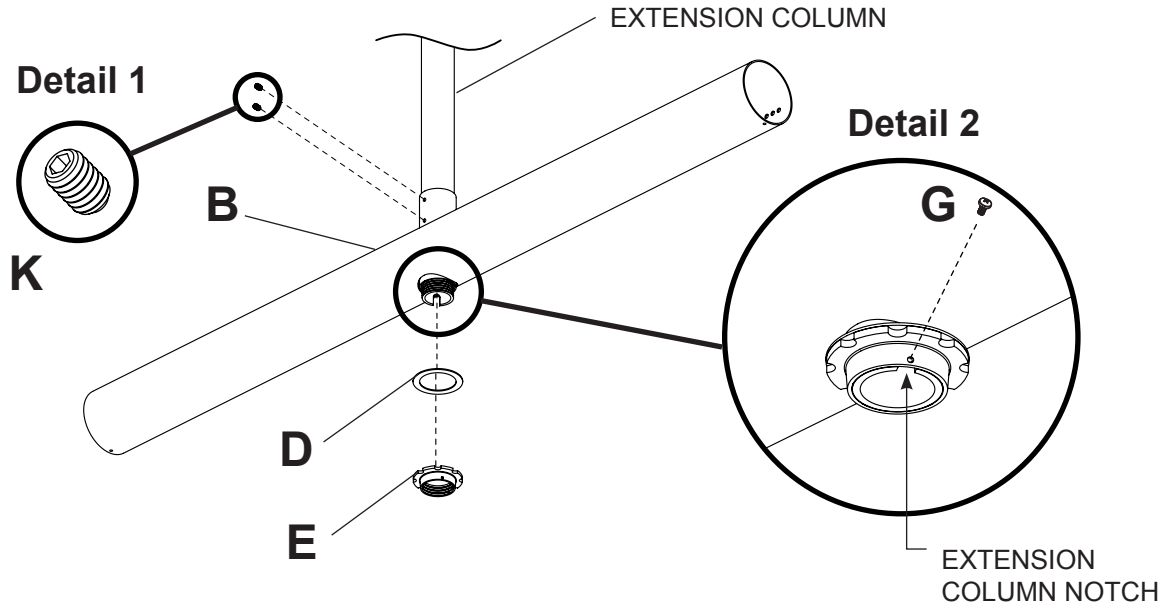
Description	Qty.	Part #
A tilt bracket	2	145-1710
B cross support tube	1	145-1708
C end cap	2	590-1333
D fiber washer	1	540-9432
E retaining collar	1	1800-375
F M8 x 16 mm phillips screw	4	520-9257
G M5 x 8 mm phillips screw	3	570-0005
H adapter bracket	8	145-1711
I adapter support	2	145-1238
J 4 mm allen wrench	1	560-9646
K M6 x 6 mm set screw	2	510-9150
L 5/16 split washer	4	540-9405
M 5/16 flat washer	4	540-9406
N 1/4-20 x 3/4 hex head type-F screw	16	520-1321
O 1/4-20 nylock nut	16	530-9413
P M8 x 15 mm socket pin screw	16	520-1068
Q M6 x 12 mm socket pin screw	16	520-1050
R shoulder washer	16	590-2233
S safety cable assembly	1	130-8012
T 1/4" washer	16	540-9440



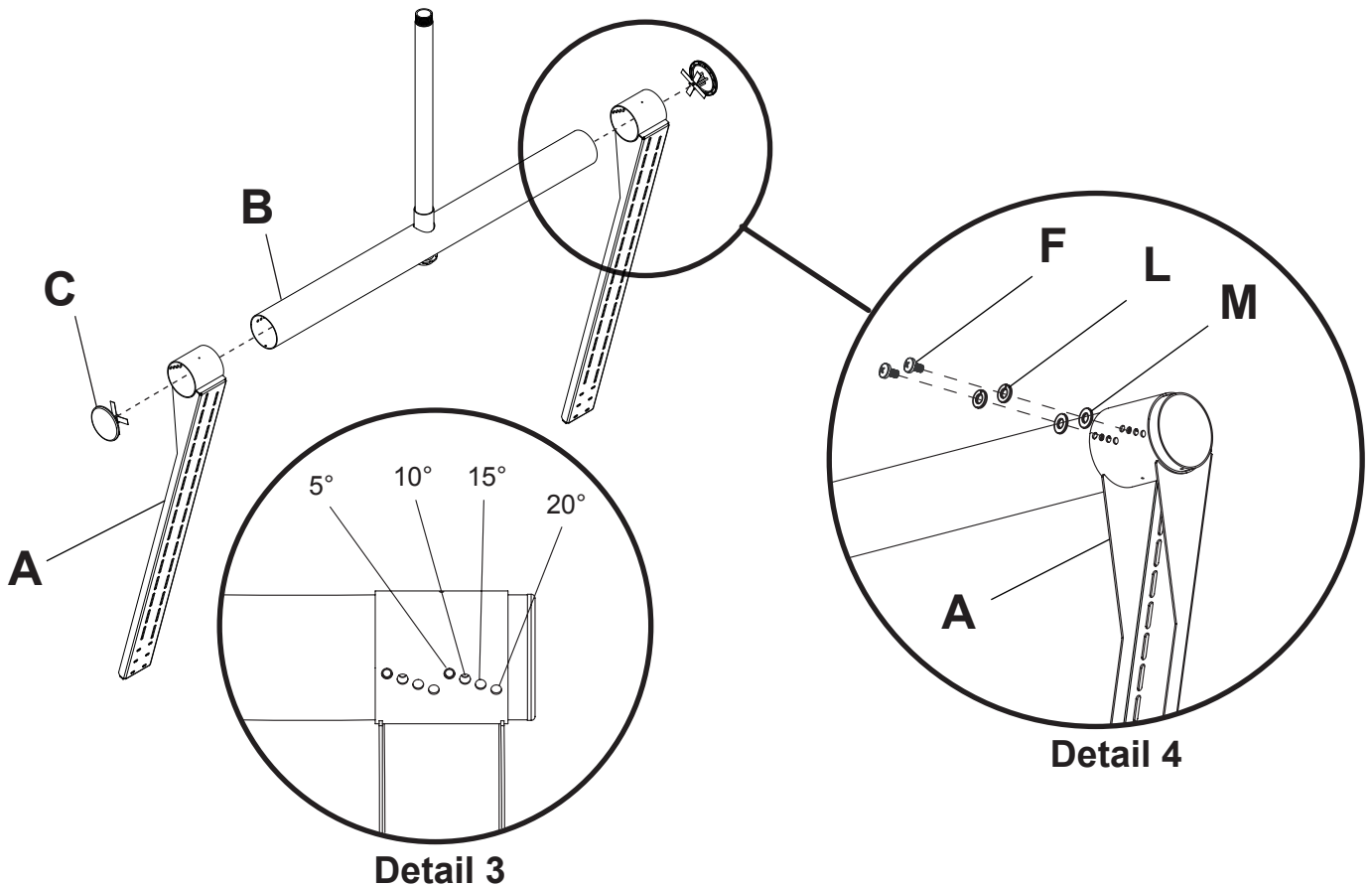
Parts may appear slightly different than illustrated.



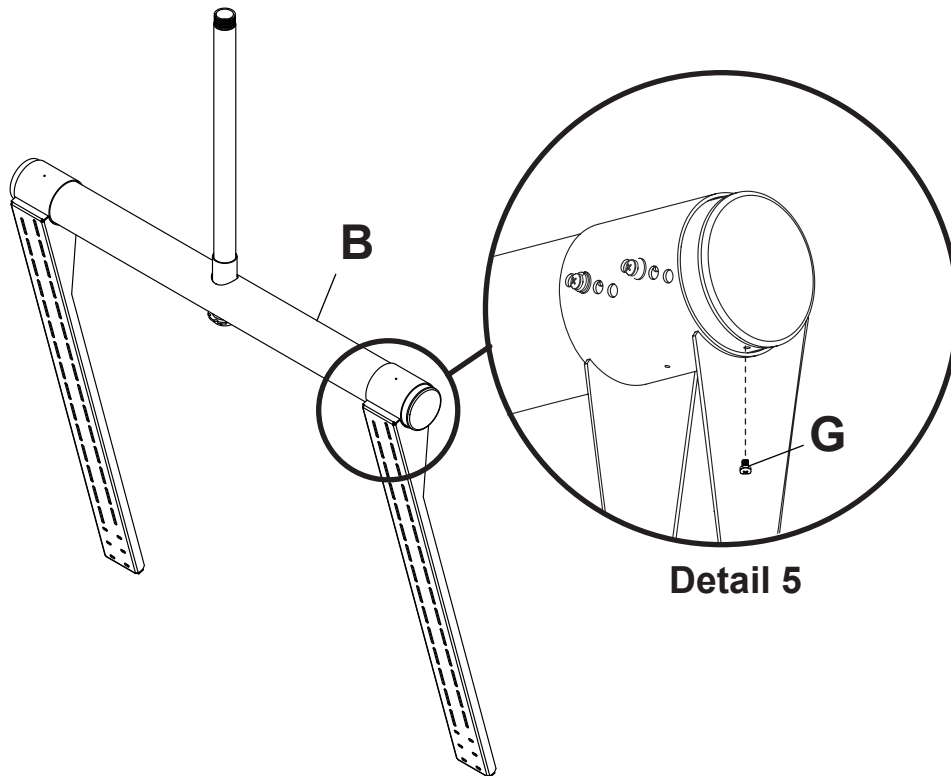
- 1** Secure extension column (sold separately) to cross support (**B**) using retaining collar (**E**), fiber washer (**D**), and one M5 x 8 mm phillips screw (**G**). Restrict swivel using two M6 x 6 mm set screws (**K**).  
**NOTE:** Make sure that M5 x 8 mm phillips screw is positioned inside of notch of extension column as shown in detail 2.



- 2** Secure tilt brackets (**A**) to cross support tube (**B**) using four M8 x 16 mm phillips screws (**F**), four 5/16" split washers (**L**), and four 5/16" flat washers (**M**) in desired tilt position as shown in Detail 3 and 4. Once tilt is established secure two end caps (**C**) to cross support tube (**B**).

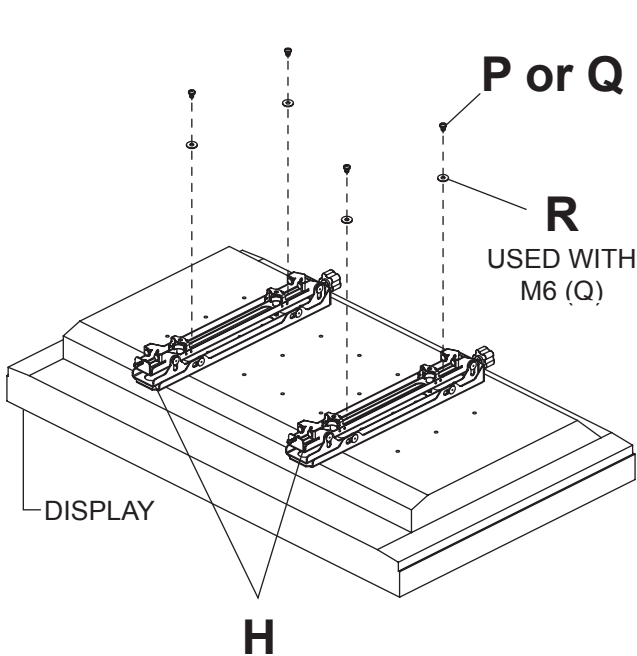


**3** Secure two M5 x 8 mm phillips screws (**G**) to ends of cross support tubes (**B**) as shown in detail 5.

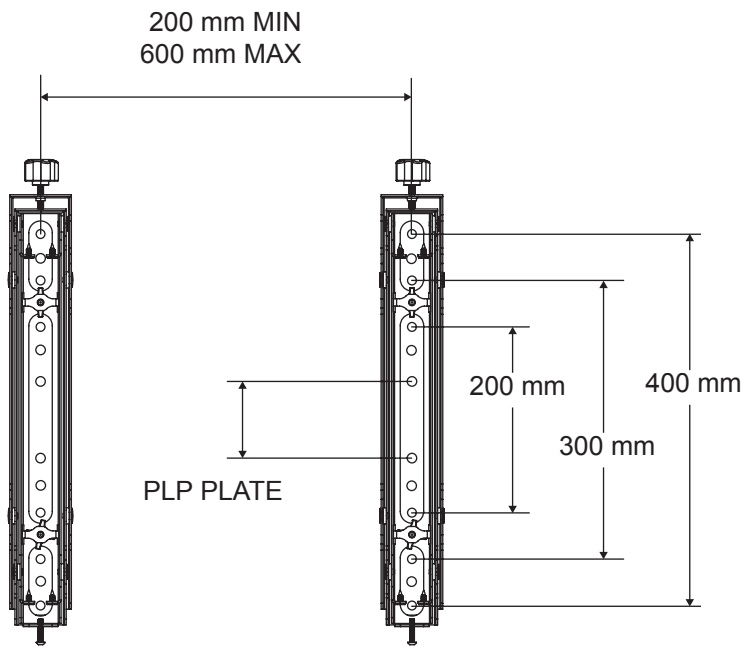


### Attaching Adapter Brackets to Display

**4** **NOTE:** Make sure to use largest hole pattern on back of display.  
 Attach adapter brackets (**H**) to back of display using four M6 x 12 mm socket pin screws (**Q**) or four M8 x 15 mm socket pin screws (**P**). The M6 x 12 mm socket pin screws (**Q**) require nylon shoulder washers (**R**) as shown below.



**FIGURE 4.1**



**FIGURE 4.2**

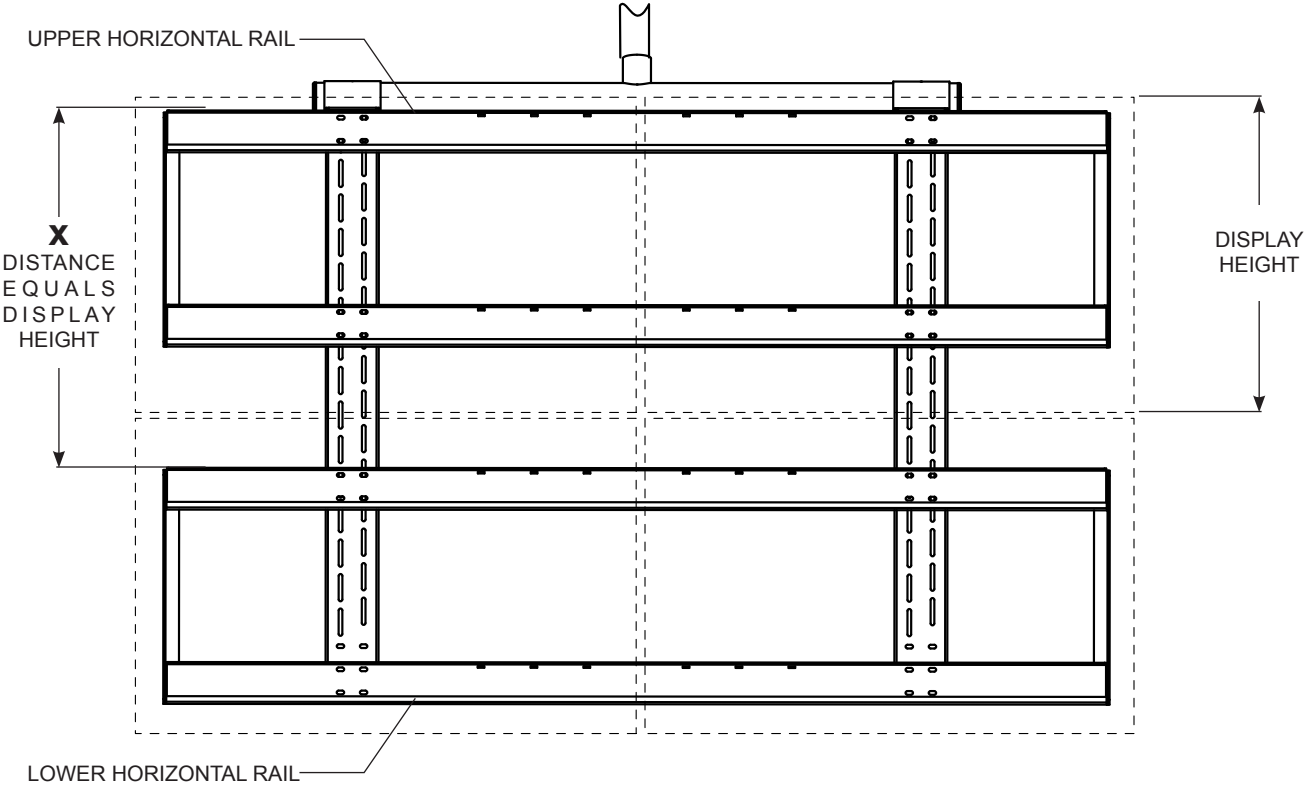
**5**

Determine position of horizontal rails (I) using the formula below.

- 1. Locate the position of the lower horizontal rail (I) and attach to tilt brackets (A).
- 2. Use display height to determine location of upper horizontal rail (I),

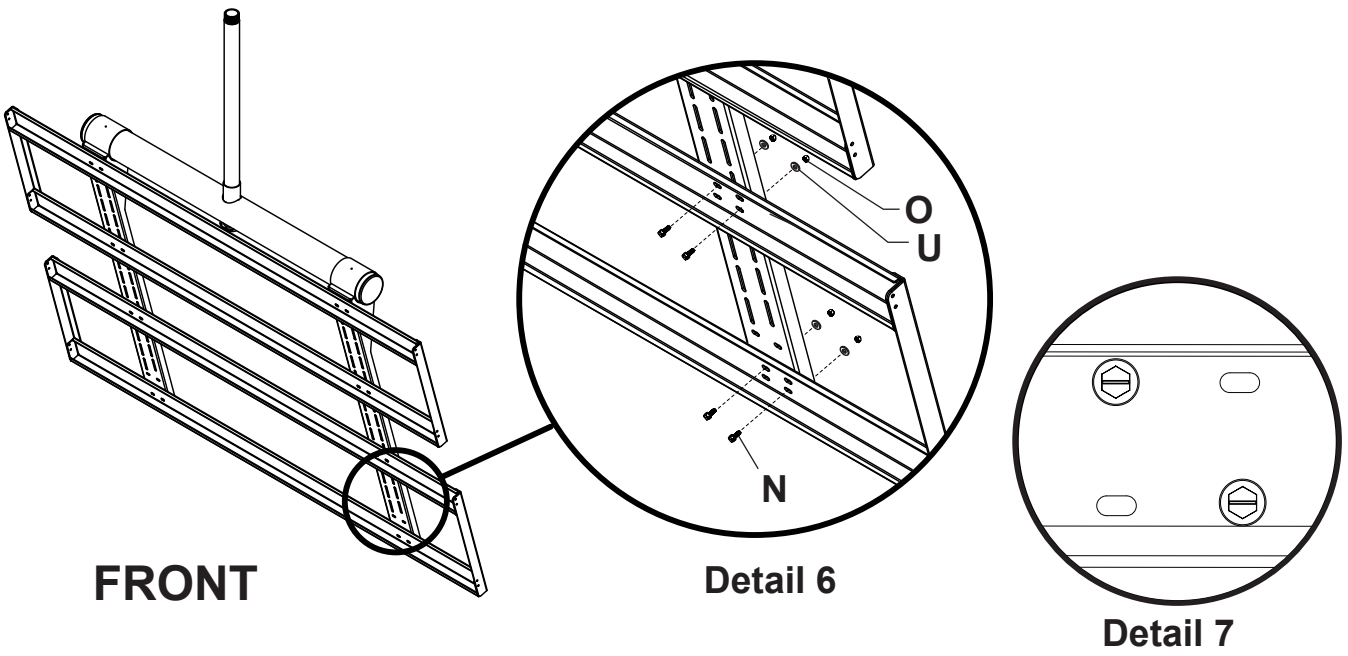
**NOTE:** Lowest horizontal rail (D) position shown below.

**NOTE:** Horizontal rails (D) must be secured using sixteen 1/4-20 hex head type-F screws (N, step 6).

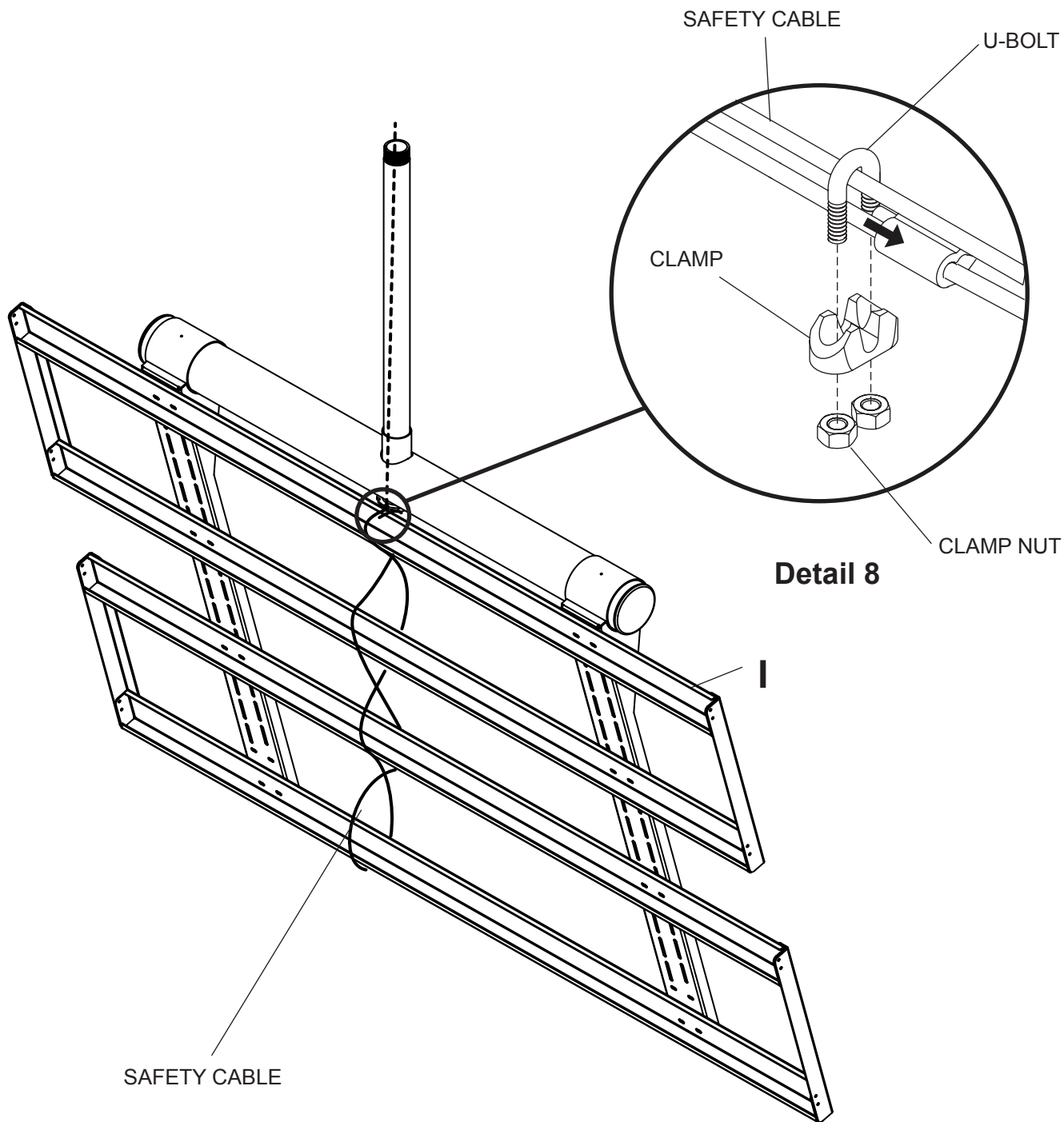


**6**

Attach adapter supports (I) to tilt brackets (A) using sixteen 1/4-20 hex head type-F screws (N) with sixteen 1/4" washers (T), and sixteen 1/4-20 nylock nuts (O) in a diagonal pattern as shown below.

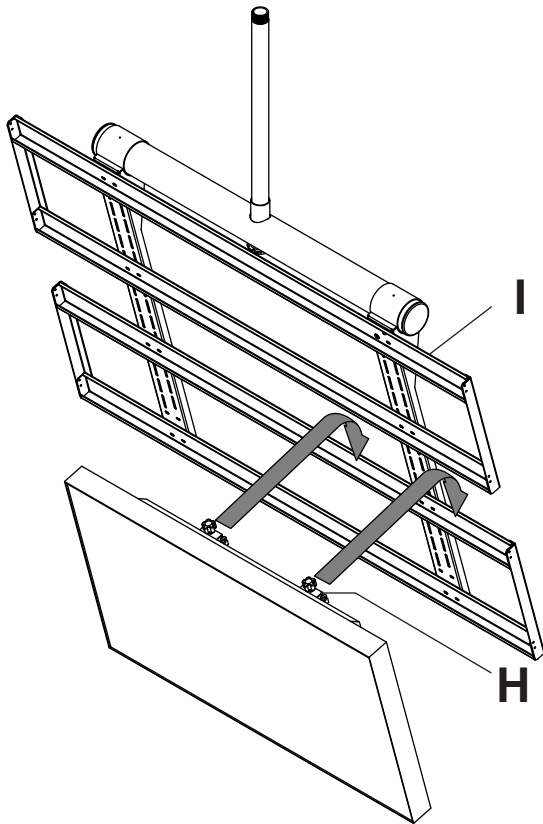


- 7** Feed safety cable through extension column (sold separately). Run cable out of the bottom of the extension column (sold separately) and through openings in adapter supports (I) as shown below. Pull safety cable taught and secure using u-bolt to fasten the looped end to the cable as shown in detail 7. Wrap excess cable around the extension column (sold separately).

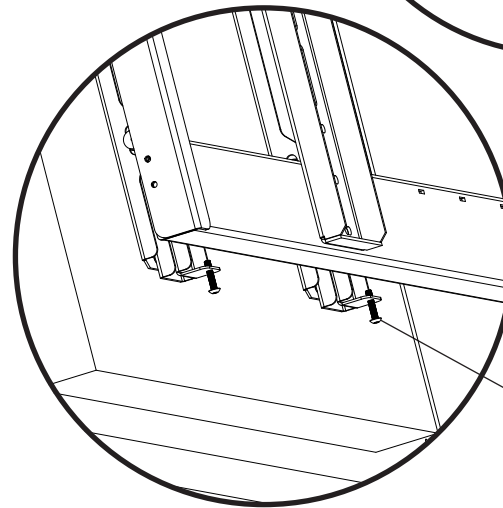
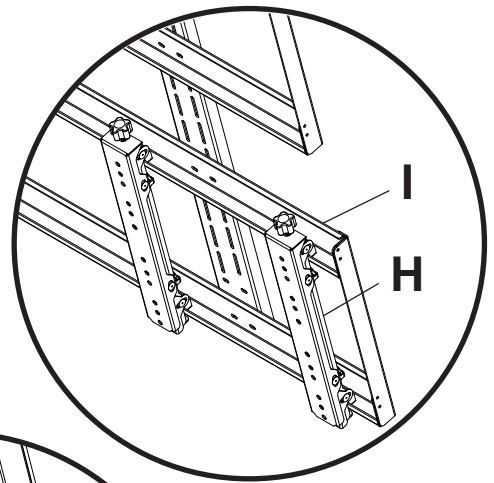


- 8** Hook adapter brackets (**H**) with displays onto adapter supports (**I**) as shown. Loosely fasten in place using security screw as shown in detail 10.

**Detail 9**



DISPLAY NOT SHOWN FOR CLARITY

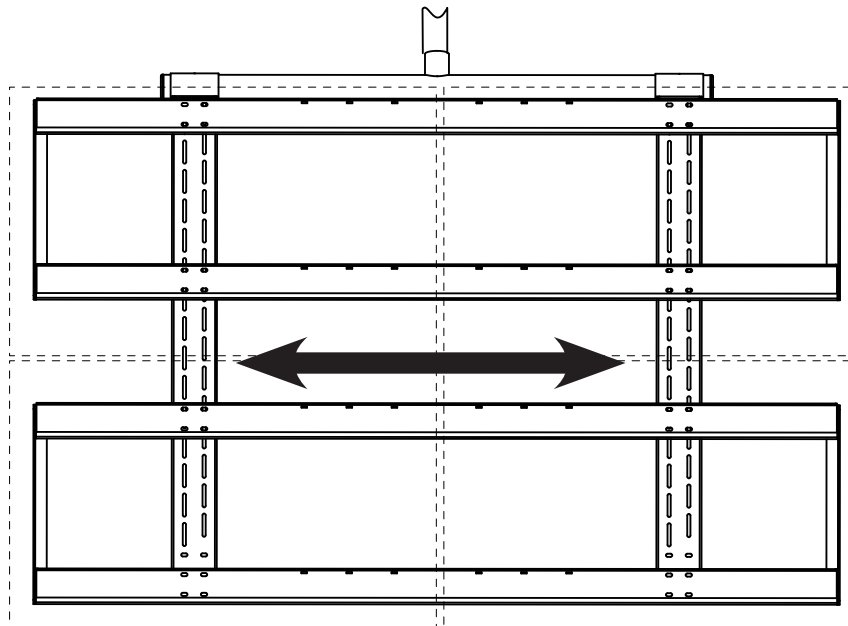


SECURITY SCREW

**Detail 10**

### Adapter Bracket Adjustment



- 9** Adapter brackets (**H**) can be adjusted horizontally as shown. Once adapter brackets (**H**) are in desired position secure using 4mm allen wrench (**K**) to lock in place.





# Adapter Bracket Adjustment

**10** Use legend below to determine position of display.

**NOTE:** Each knob can be adjusted independently for fine tuning angle adjustments.

 Turn knobs **CLOCKWISE** to raise display height.  
 Turn knobs **COUNTER-CLOCKWISE** to lower display height.

 Turn knobs **CLOCKWISE** to push out display.  
 Turn knob **COUNTER-CLOCKWISE** to pull in display.

