

DS-VWT955-2X2

Digital Signage Video Wall Ceiling Mount for 2 x 2 Configurations

For 40" to 55" Flat Panel Displays



Video wall displays no longer need to be limited to just walls and carts. With the Peerless-AV® DS-VWT955-2X2, a video wall display can now be mounted to a ceiling. The tool-less micro adjustable design provides placement of four displays in a 2 x 2 configuration, neatly aligned on the same plane. The tilting adjustment options of 5, 10, 15 and 20 degrees means you can be assured of the perfect viewing angle for your application. Ideal for department stores, entertainment venues or other large public areas. Compatible with Peerless-AV fixed length and adjustable length columns.



Display size: 40"-55"

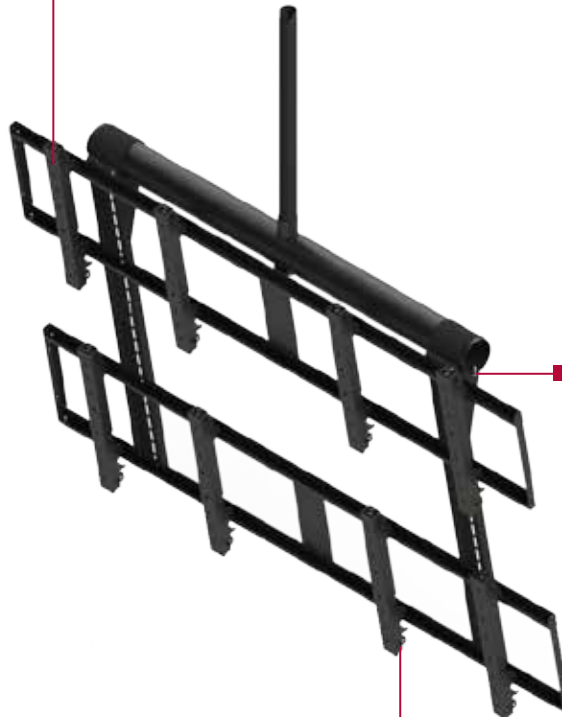


Max load: 400lb (182kg)

FEATURES

- Ceiling mounted 2 x 2 video wall solution
- Supports mounting hole patterns of VESA® 200 x 200 up to 600 x 400mm. Additional patterns supported with adaptor plates
- Tilts options of 5°, 10°, 15° and 20°
- Eight points of tool-less micro adjustment provide precise alignment
- Compatible with Peerless-AV standard columns
- Included security hardware deters tampering and loss

■ **UNIVERSAL**
Fits most displays from 40" to 55"



■ **TILT FUNCTIONALITY**
Can be used in multiple tilt positions for the ideal viewing angle

■ **NO TOOLS REQUIRED FOR MICRO ADJUSTMENT**
Simple tool-less micro adjustment aligns displays seamlessly



CLICK: peerless-av.com

CALL: 800.865.2112

FAX: 800.359.6500

peerless-AV®

DS-VWT955-2X2 Digital Signage Video Wall Ceiling Mount for 2 x 2 Configurations for 40" to 55" Flat Panel Displays

Product Specifications

	DIMENSIONS (W x H x D)	PRODUCT WEIGHT	LOAD CAPACITY	FINISH	AVAILABLE COLORS
DS-VWT955-2X2	71.54" x 49.0" x 10.5" (1817 x 1244 x 267mm)	85lb (39kg)	400lb (182kg)	Powder Coat	Black

Package Specifications

	PACKAGE SIZE (L x W x H)	PACKAGE SHIP WEIGHT	PACKAGE UPC CODE	PACKAGE CONTENTS	UNITS IN PACKAGE
DS-VWT955-2X2	Box 1: 67.4" x 17.1" x 4.7" (1712 x 435 x 119mm) Box 2: 73.5" x 17.1" x 4.7" (1867 x 435 x 119mm)	95lb (43kg)	735029283485	Left, right and center bracket, mounting frame, adaptor brackets and mounting hardware. Column and ceiling attachment sold separately	1

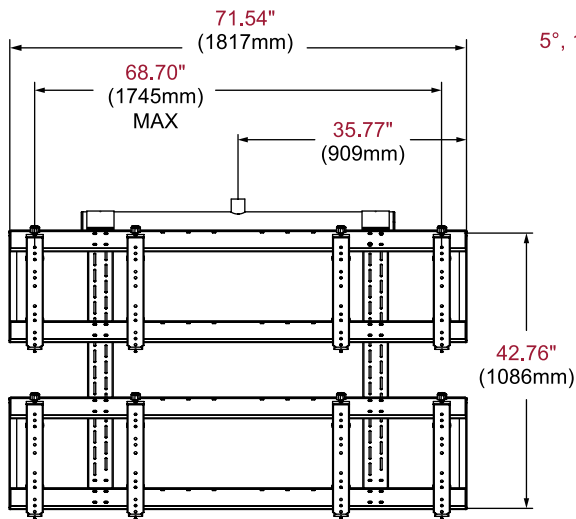
Accessories

ACC557, ACC600, DCT300, DST400, DCT500, DCT600, DCT700, DCT800, DCT900: Peerless-AV Standard Ceiling Plates
EXT, AEC, ALU or ADD: Peerless-AV Standard Columns
 Please select the column associated with the appropriate ceiling plate above

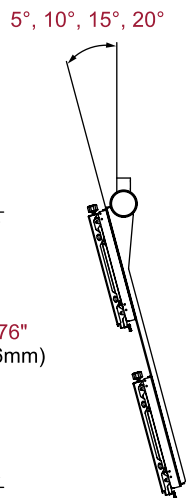
All dimensions = inch (mm)

COMPATIBILITY
 Display width must be a minimum of 36"
 Display height must be a minimum of 20.875"
 Screen width + horizontal mounting hole pattern must be less than 1745 mm

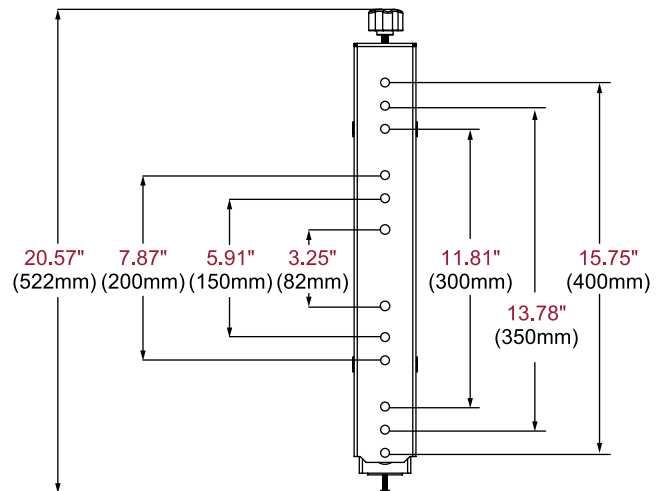
Vertical Mounting Pattern:
 200 mm Screen height + Mounting hole pattern must be ≤ 890 mm
 300 mm Screen height + Mounting hole pattern must be ≤ 990 mm
 400 mm Screen height + Mounting hole pattern must be ≤ 1090 mm



FRONT VIEW



SIDE VIEW



ADAPTER BRACKET

ARCHITECTS SPECIFICATIONS

The Digital Signage Video Wall Ceiling Mount for 2 x 2 Configurations shall be Peerless-AV model DS-VWT955-2X2 and shall be located where indicated on the plans. It shall be constructed of heavy gauge steel. The finish shall be scratch resistant black fused epoxy. Assembly and installation shall be done according to instructions provided by the manufacturer.

Peerless Industries, Inc. ■ 2300 White Oak Circle ■ Aurora, IL 60502 ■ (800) 865-2112 ■ (630) 375-5100 ■ Fax: (800) 359-6500 ■ peerless-av.com

Visit peerless-av.com to see the complete line of AV solutions from Peerless-AV, including flat panel mounts, projector mounts, carts/stands, furniture, cables, screen cleaners and a full assortment of accessories.