

# Projector

PARAMOUNT™ by Peerless

## Ceiling/Wall Projector Mount with Adjustable Extension

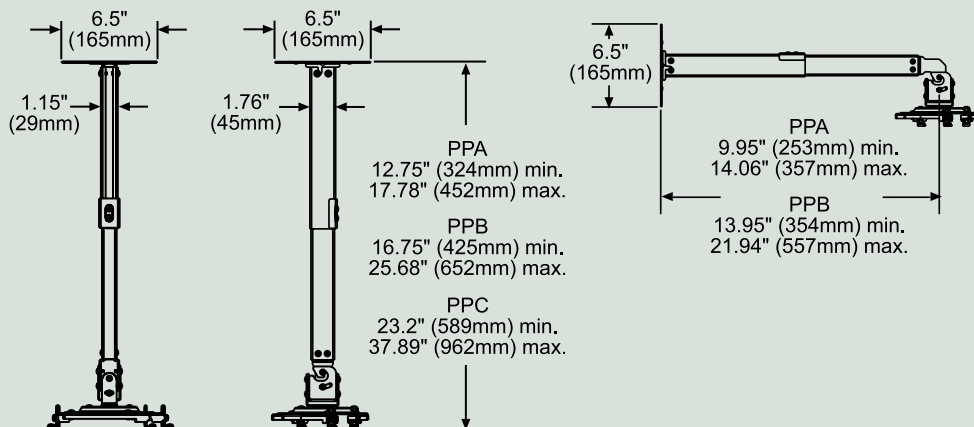
For Projectors up to 50 lb



- Continuous channel design for uninterrupted drop length or wall extension adjustments
- Safety catch designed into extension to ensure user and equipment safety
- Internal cable management within channels for clean, clutter-free appearance
- Mounts to ceiling or wall\* with included wall mount interface
- \* PPA and PPB models only. PPC is not wall mountable due to its extensive reach.
- Spider® universal adapter plate extends from 7.1" to 16.55" to fit most projector models
- Three independent axes of adjustment for perfect image alignment:
  - Tilt: +30°/-5°
  - Swivel: 360° (±20° at mount)
  - Roll: ±20°
- Works with standard 4" loops for use with round, square, rectangular or I-Beam truss up to 3" wide x 3 1/2" wide

\* Includes theft resistant hardware for attaching projector to mount

⚠ PPC models are ceiling mountable only



To verify mount compatibility with any LCD, plasma, or projector model use MountFinder™ at [www.peerlessmounts.com](http://www.peerlessmounts.com) 800.865.2112

## Ceiling & Wall Mounts



### MODELS

#### UNIVERSAL MODELS WITH 12.75"-17.78" EXTENSION

Security Fasteners\*

<b>PPA</b>	Black
<b>PPA-S</b>	Silver
<b>PPA-W</b>	White

#### UNIVERSAL MODELS WITH 16.75"-25.68" EXTENSION

Security Fasteners\*

<b>PPB</b>	Black
<b>PPB-S</b>	Silver
<b>PPB-W</b>	White

#### UNIVERSAL MODELS WITH 23.2"-37.89" EXTENSION ⚠

Security Fasteners\*

<b>PPC</b>	Black
<b>PPC-S</b>	Silver
<b>PPC-W</b>	White

### PROJECTOR ADAPTER

#### UNIVERSAL MODELS:

Includes universal adapter plate to accommodate projector mounting holes from 7.1" to 16.5"

### SPECIFICATIONS

**DIMENSIONS:** (W x D)  
6.5"-16.55" x 6.5"-16.55"  
(16.5-42 x 16.5-42 cm)

**HEIGHT:** Ceiling Mounted  
PPA(-S)(-W): 12.75"-17.78" (32.4-45.2 cm)  
PPB(-S)(-W): 16.75"-25.68" (42.5-65.2 cm)  
PPC(-S)(-W): 23.2"-37.89" (58.9-96.2 cm)

**HEIGHT:** Wall Mounted  
PPA(-S)(-W): 9.95"-14.06" (25.3-35.7 cm)  
PPB(-S)(-W): 13.95"-21.94" (35.4-55.7 cm)

**TILT:** +30°/-5°  
**SWIVEL:** ±360° (±20° at mount)  
**ROLL:** ±20°

**MAX LOAD:** 50 lb (22.6 kg)

**SHIP WEIGHT:**  
PPA(-S)(-W): 6.4 lb (2.9 kg)  
PPB(-S)(-W): 6.8 lb (3 kg)  
PPC(-S)(-W): 7.7 lb (3.4 kg)

**MOUNTING SURFACES:** Wood joist, wood stud and concrete

