

TECHNICAL DATA SHEET

**MODELS: PPA, PPA-S, PPA-W, PPB, PPB-S, PPB-W
PPC, PPC-S, PPC-W**

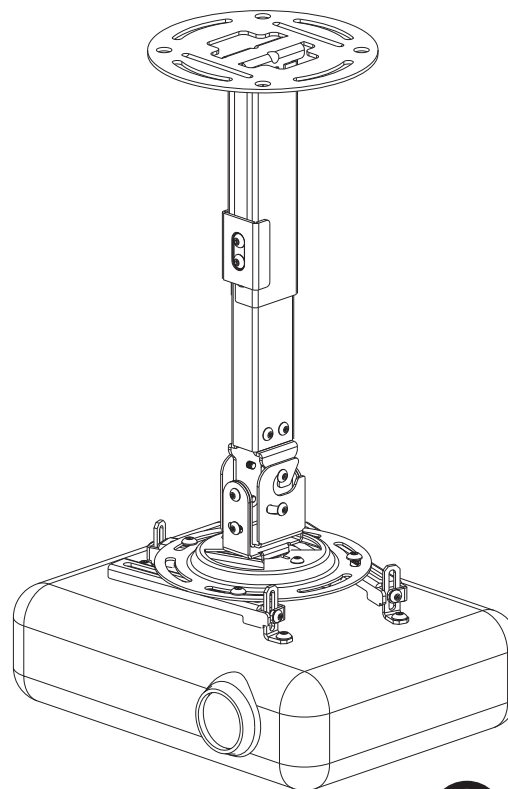
PARAMOUNT™ by Peerless

Paramount™ Projector Ceiling/Wall Mount

The PPA and PPB models are only projector mounts that offer ceiling and wall mounting options in one out-of-the-box solution while the PPC model delivers a flexible drop length for ceiling mounted projectors. These versatile, ready to install mount models offer the convenience of installation to the ceiling or the wall and provide drop length options without the need of additional accessories. These mount models provide the first true comprehensive projector mounting solution in a single package.

Features:

- Continuous channel design for uninterrupted drop length or wall extension adjustments
- Safety catch designed into extension to ensure user and equipment safety
- Internal cable management within channels for clean, clutter-free appearance
- Mounts to ceiling or wall (according to model) with included wall mount interface
- Spider® universal adapter plate extends from 7.1" to 16.55" to fit most projector models
- Three independent axes of adjustment for perfect image alignment:
 - Tilt: +30/-5°
 - Swivel: 360° of mountable adjustment for limitless screen placement opportunities (±20° at mount)
 - Roll: ±20°
- Supports up to 50 lb projectors



Dimensions:	Models		
	PPA PPA-S PPA-W	PPB PPB-S PPB-W	PPC PPC-S PPC-W
Product Weight	4.64 lb (2.1 kg)	5.32 lb (2.41 kg)	6.05 lb (2.74 kg)
Shipping Weight	6.41 lb (2.91 kg)	6.87 lb (3.12 kg)	7.78 lb (3.52 kg)
Maximum Load Capacity	50 lb (22.7 kg)	50 lb (22.7 kg)	50 lb (22.7 kg)
Shipping Carton Dimensions	L= 12.0625" (306 mm)	12.0625" (306 mm)	19.375" (492 mm)
	W= 9.3125" (237 mm)	9.3125" (237 mm)	10" (254 mm)
	H= 4.25" (108 mm)	4.25" (108 mm)	4.375" (111 mm)

ARCHITECTS SPECIFICATIONS

The Ceiling/Wall Mount shall be Peerless models _____ and shall be located where indicated on the plans. It shall feature adjustable +30°/-5° tilt. It shall be constructed of heavy gauge cold rolled steel and finished with scratch resistant Black, Silver or White Fused Epoxy. Assembly and installation shall be done according to instructions provided by the manufacturer.

Peerless Industries, Inc.

3215 W. North Ave. Melrose Park, IL 60160
708-865-8870 800-865-2112 Fax 708-865-2941

www.peerlessmounts.com

ISSUED: 02-11-08 SHEET NO: 056-9622-1

©2008, Peerless Industries, Inc. All rights reserved.

All other brand and product names are trademarks or registered trademarks of their respective owners

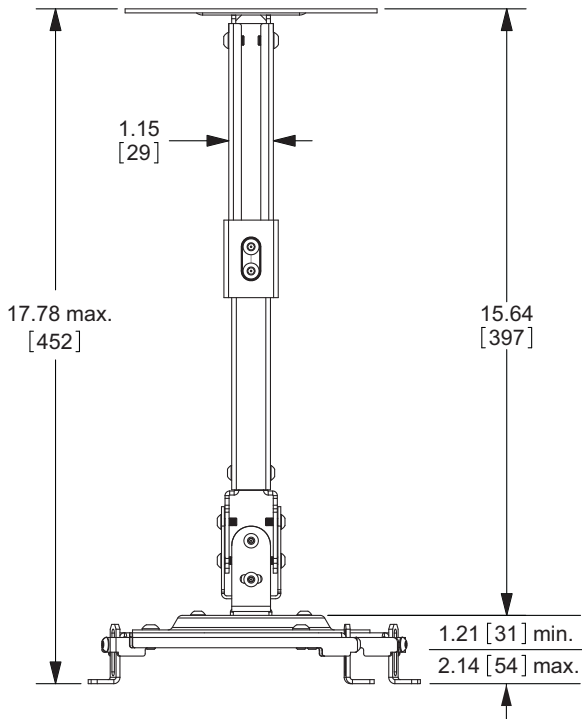
TECHNICAL DATA SHEET

**MODELS: PPA, PPA-S, PPA-W, PPB, PPB-S, PPB-W
PPC, PPC-S, PPC-W**

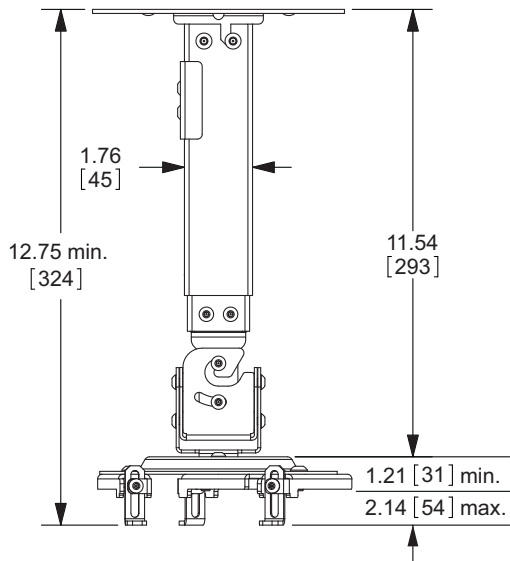
All dimensions = inch [mm]

PPA Series

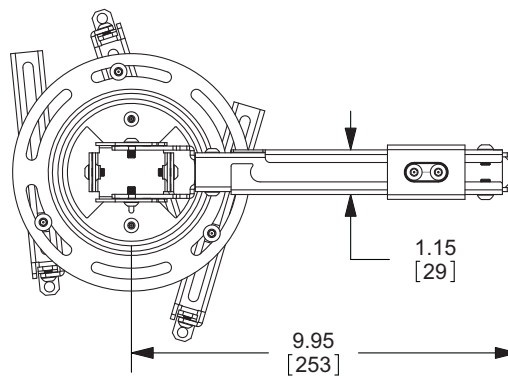
Ceiling Installed
Front View - Extended



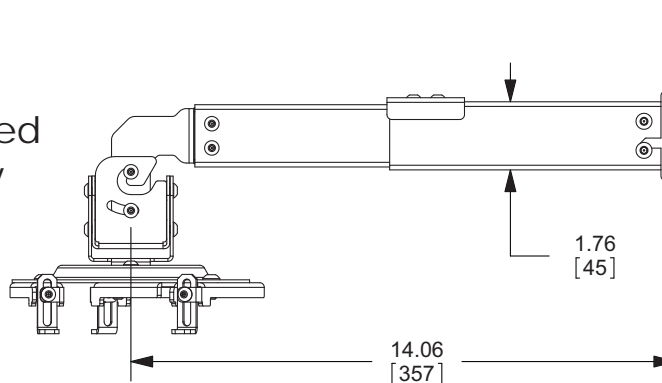
Ceiling Installed
Side View - Retracted



Wall Installed
Top View
Retracted



Wall Installed
Side View
Extended



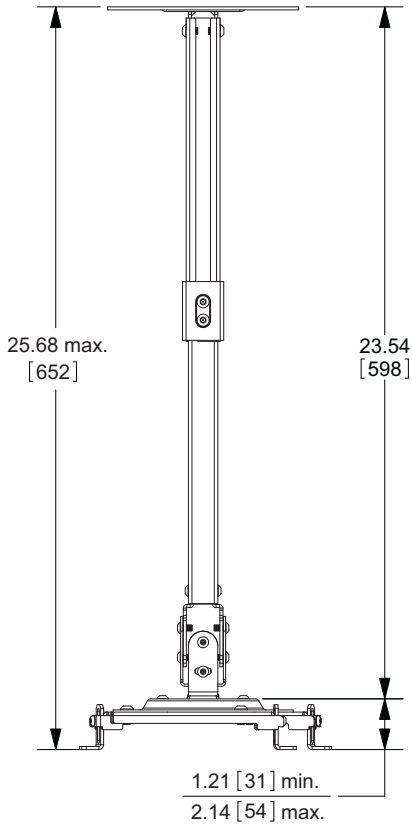
TECHNICAL DATA SHEET

**MODELS: PPA, PPA-S, PPA-W, PPB, PPB-S, PPB-W
PPC, PPC-S, PPC-W**

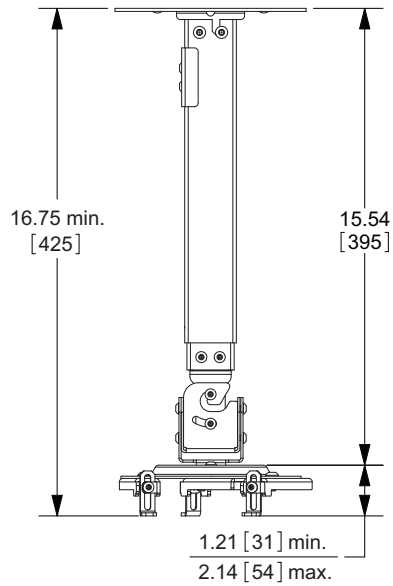
All dimensions = inch [mm]

PPB Series

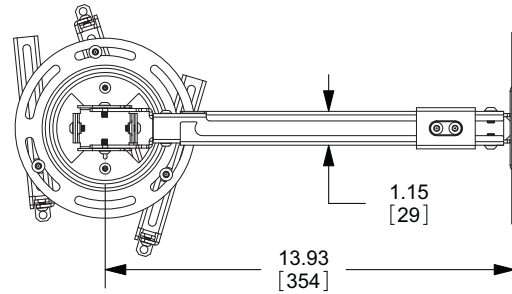
Ceiling Installed
Front View - Extended



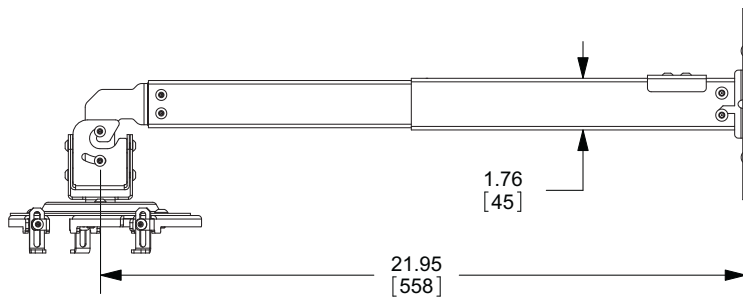
Ceiling Installed
Side View - Retracted



Wall Installed
Top View
Retracted



Wall Installed
Side View
Extended



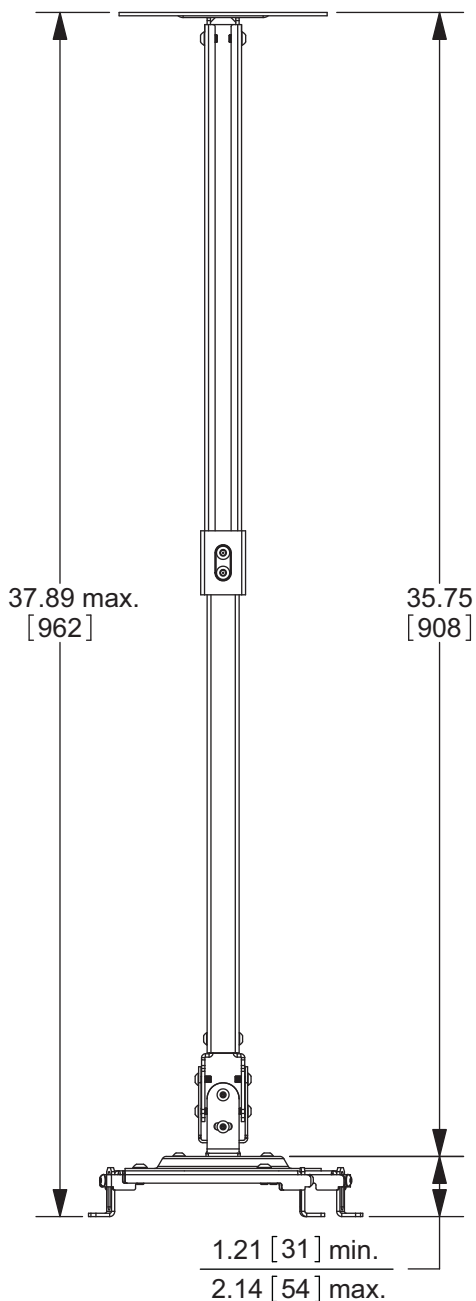
TECHNICAL DATA SHEET

**MODELS: PPA, PPA-S, PPA-W, PPB, PPB-S, PPB-W
PPC, PPC-S, PPC-W**

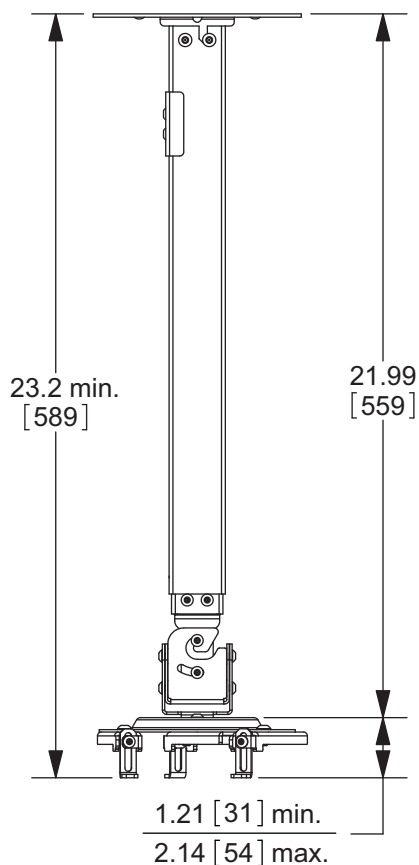
All dimensions = inch [mm]

PPC Series

Ceiling Installed (only)
Front View
Extended



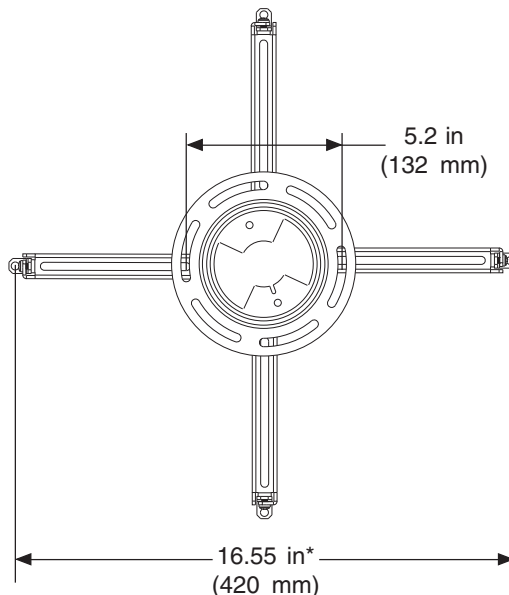
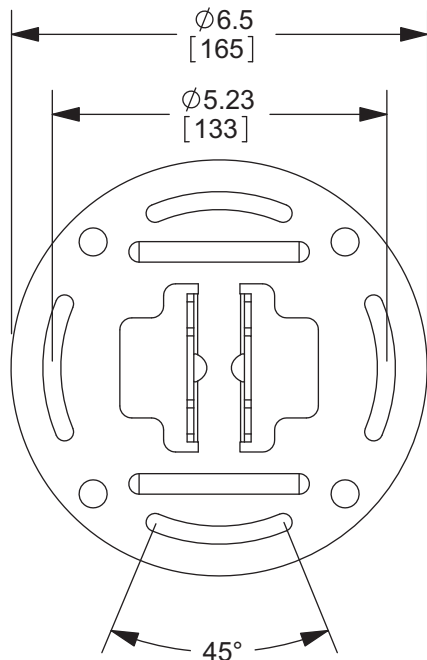
Ceiling Installed (only)
Side View
Retracted



TECHNICAL DATA SHEET

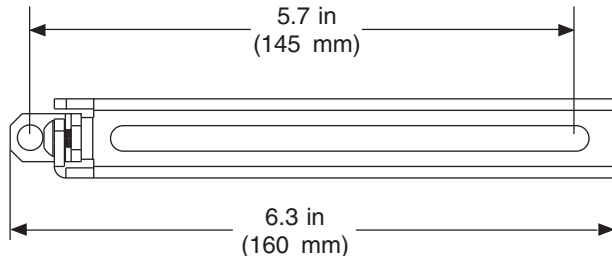
**MODELS: PPA, PPA-S, PPA-W, PPB, PPB-S, PPB-W
PPC, PPC-S, PPC-W**

Ceiling Plate

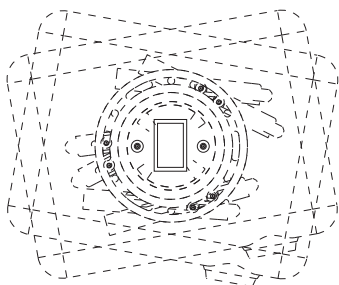


*Mounting holes on projector must be within a 16.55 in diameter in order to use this product.

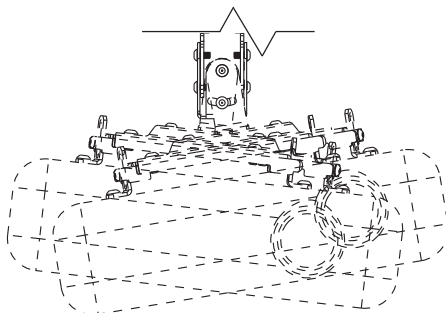
Top View of Adapter Plate



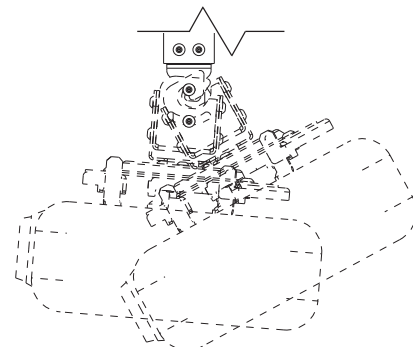
Channel



20° (±10°) SWIVEL
TOP VIEW



20° (±10°) ROLL
FRONT VIEW



35° (-5°/+30°) TILT
SIDE VIEW