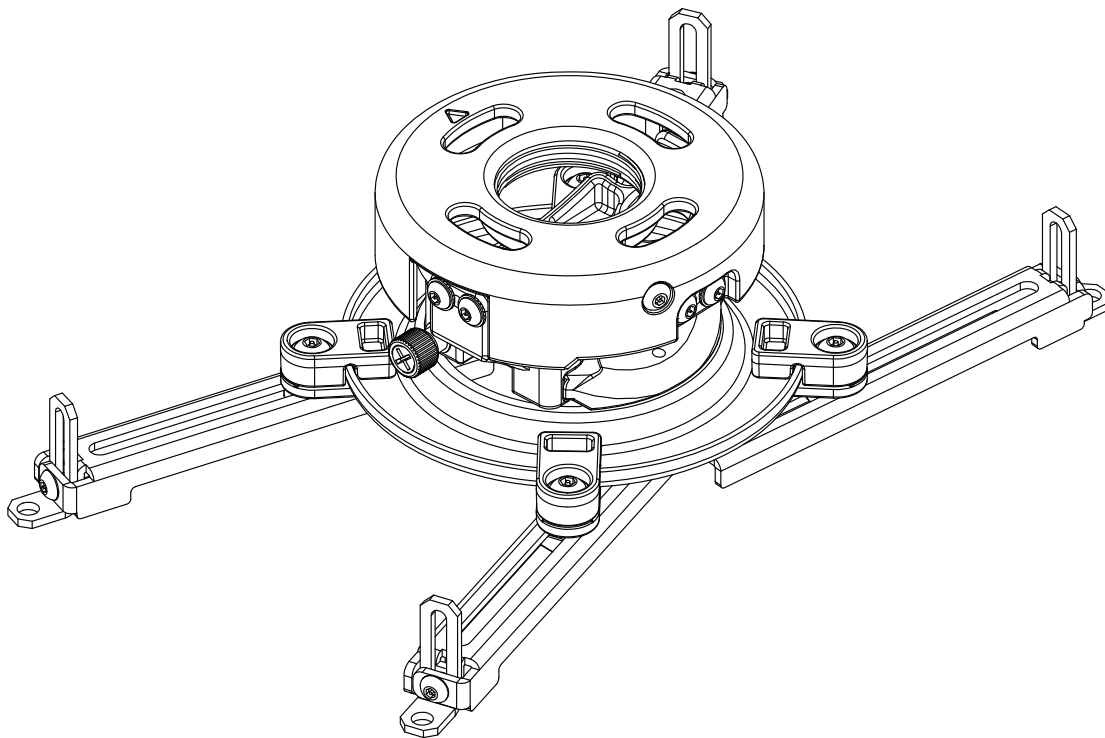




## Installation and Assembly: PRS Projector Mount with Universal Adapter Plate

---

Models: PRS-UNV, PRS-UNV-S, PRS-UNV-W



This product is intended for use with UL Listed products and must be installed by a qualified professional installer.

**Maximum UL Load Capacity:**  
25 lb (11.34 kg)

**Note:** Read entire instruction sheet before you start installation and assembly.

## **WARNING**

- Do not begin to install your Peerless product until you have read and understood the instructions and warnings contained in this Installation Sheet. If you have any questions regarding any of the instructions or warnings, for US customers please call Peerless customer care at 1-800-865-2112, for all international customers, please contact your local distributor.
- This product should only be installed by someone of good mechanical aptitude, has experience with basic building construction, and fully understands these instructions.
- Make sure that the supporting surface will safely support the combined load of the equipment and all attached hardware and components.
- Never exceed the Maximum UL Load Capacity. See page one.
- If mounting to wood wall studs, make sure that mounting screws are anchored into the center of the studs. Use of an "edge to edge" stud finder is highly recommended.
- Always use an assistant or mechanical lifting equipment to safely lift and position equipment.
- Tighten screws firmly, but do not overtighten. Overtightening can damage the items, greatly reducing their holding power.
- This product is intended for indoor use only. Use of this product outdoors could lead to product failure and personal injury.
- This product was designed to be installed on the following wall construction only;

### **WALL CONSTRUCTION**

- Wood Stud
- Wood Beam
- Solid Concrete
- Metal Stud
- Brick
- Other or unsure?

### **HARDWARE REQUIRED**

- Included
- Included
- Included
- Contact Qualified Professional (Not Evaluated By UL)
- Contact Qualified Professional (Not Evaluated By UL)
- Contact Customer Service

## **Tools Needed for Assembly**

- stud finder ("edge to edge" stud finder is recommended)
- phillips screwdriver
- drill
- 5/16" bit for concrete surface
- 5/32" bit for wood studs
- level

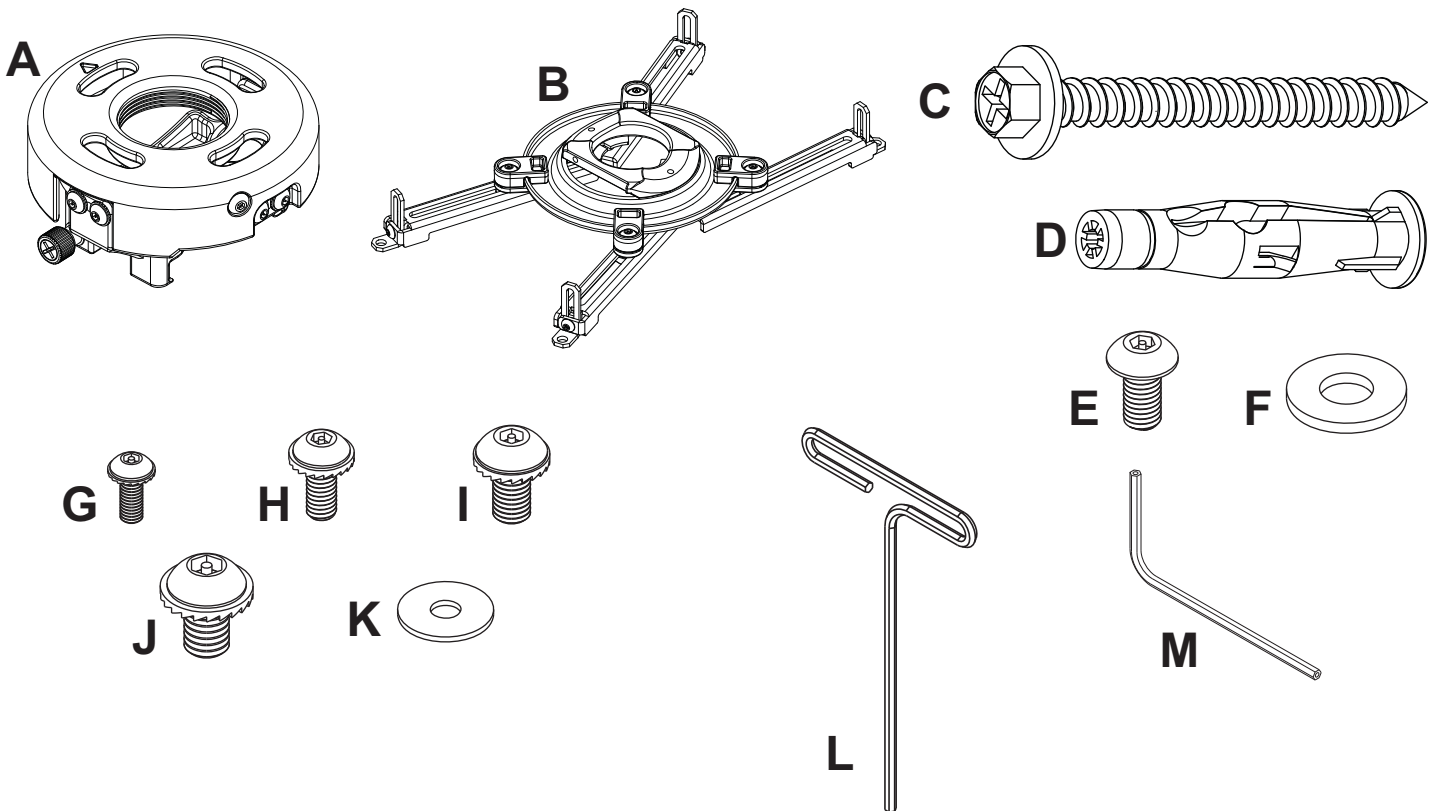
## **Table of Contents**

Parts List.....	3
Installation to Extension Columns / Ceiling Plate .....	4
Installation to Wood Joist Ceilings.....	5
Installation to Concrete Ceilings.....	6
Installation to Threaded Rods.....	7
Attaching Adapter Plate to Projector.....	8
Projector Alignment .....	10
Accessories .....	11, 12

Before you start check the parts list to insure all of the parts shown are included.

Description	Qty.	PRS-UNV	PRS-UNV-S	PRS-UNV-W
		Part #	Part #	Part #
<b>A</b> projector mount assembly	1	054-1174	054-4174	054-2174
<b>B</b> adapter plate	1	055-1938	055-4938	055-2938
<b>C</b> #14 x 2.5 phillips hex head wood screw	2	5S1-015-C03	5S1-015-C04	5S1-015-C04
<b>D</b> concrete anchor	2	590-0320	590-0320	590-0320
<b>E</b> #10-32 x 1/4" socket pin screw	1	520-1196	520-2196	520-2196
<b>F</b> 1/4" flat washer	2	540-1078	540-2078	540-2078
<b>G</b> M3 x 8 mm socket pin serrated washer head screw	4	510-1004	510-2004	510-2004
<b>H</b> M4 x 10 mm socket pin serrated washer head screw	4	510-1060	510-2060	510-2060
<b>I</b> M5 x 10 mm socket pin serrated washer head screw	4	510-1126	510-2063	510-2063
<b>J</b> M6 x 10 mm socket pin serrated washer head screw	4	510-1066	510-2066	510-2066
<b>K</b> #6 flat washer	4	540-1025	540-2025	540-2025
<b>L</b> 4 mm security t-wrench	1	560-1718	560-1718	560-1718
<b>M</b> 2 mm security allen wrench	1	560-1097	560-1097	560-1097

Note: Actual parts may appear slightly different than illustrated.



## Installation to Extension Column / Ceiling Plate

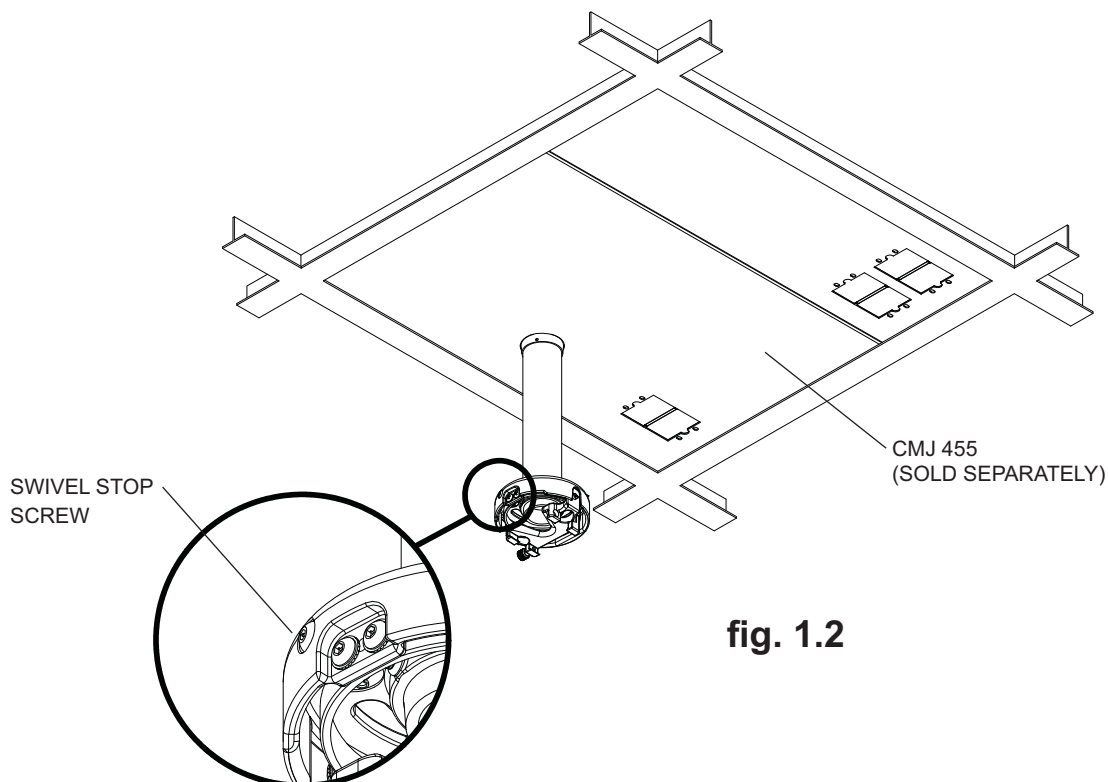
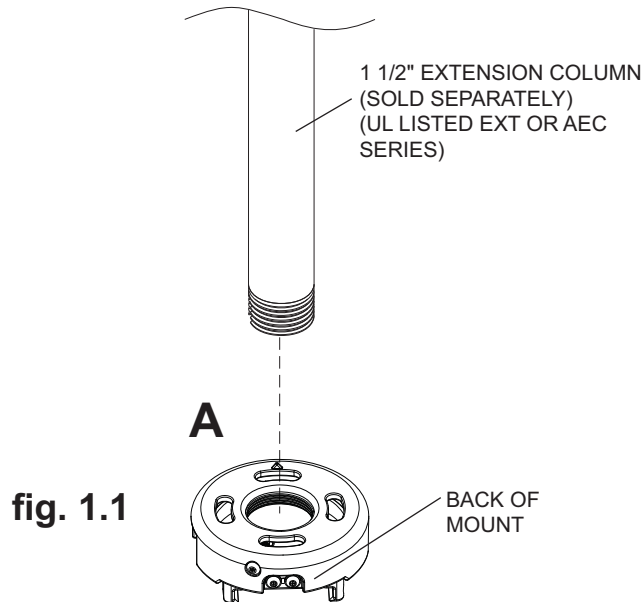
**1** **NOTE:** Refer to accompanying instructions with ceiling plates (sold separately) for installing these models to ceiling.

Screw projector mount assembly (**A**) onto extension column as shown in **figure 1.1**.

Tighten swivel stop screw against extension column, flush mount tube or reducer using 4 mm security t-wrench (**L**) as shown in **figure 1.2**.

**NOTE:** Swivel stop screw is used to jam against threads of extension column, flush mount tube or reducer to prevent any excess movement of projector mount assembly (**A**). Do not overtighten screw; overtightening screw will damage threads making it difficult to separate products.

**Skip to step 5.**



## Installation To Wood Joist Ceilings

### ⚠ WARNING

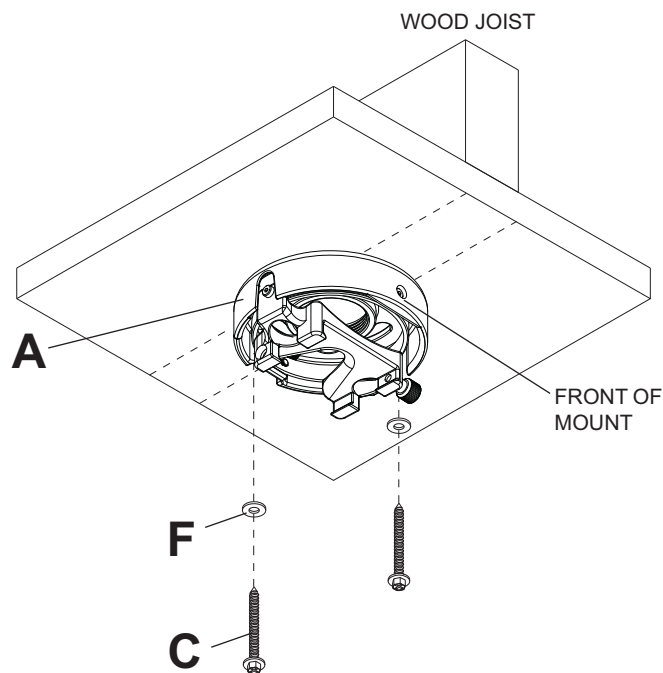
- Installer must verify that the supporting surface will safely support the combined load of the equipment and all attached hardware and components.
- Tighten wood screws so that projector mount assembly is firmly attached, but do not overtighten. Overtightening can damage the screws, greatly reducing their holding power.
- Never tighten in excess of 80 in. • lb (9 N.M.).
- Make sure that mounting screws are anchored into the center of the stud. The use of an "edge to edge" stud finder is highly recommended.
- Hardware provided is for attachment of mount through standard thickness drywall or plaster into wood studs. Installers are responsible to provide hardware for other types of mounting situations (not evaluated by UL).

**2** Place projector mount assembly (A) on ceiling as a template and mark the center of the two mounting holes. Make sure that the mounting holes are in the center of the wood joist. Drill two 5/32" (4 mm) dia. holes to a minimum depth of 2.5" (64 mm). Attach projector mount assembly (A) with two #14 x 2.5" (6 mm x 65 mm) wood screws (C) and two flat washers (F) as shown in **figure 2.1** or **figure 2.2** depending on joist orientation.

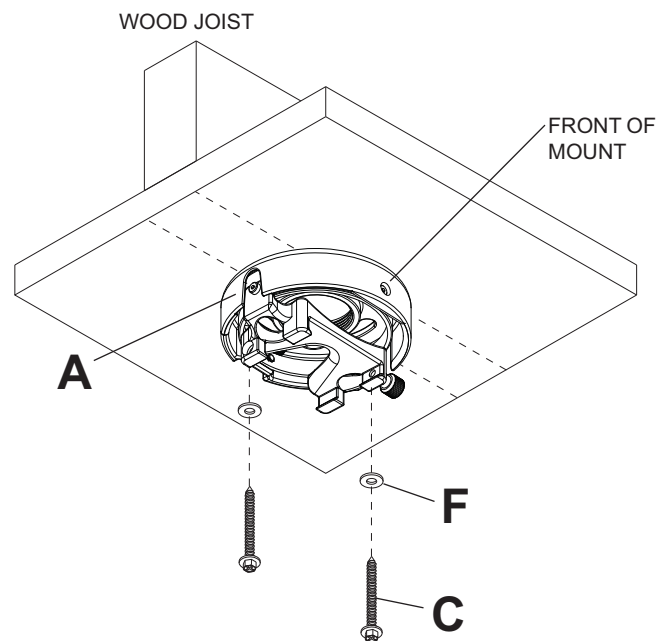
**Note:** Mounting slots on projector mount assembly allow for 30° (±15°) of rotation before fully securing wood screws.

Tighten wood screws (C) using 3/8" (10 mm) socket wrench or phillips screwdriver until projector mount assembly (A) is firmly attached.

**Skip to step 5.**



**fig. 2.1**



**fig. 2.2**

# Installation to Concrete Ceilings

## ⚠ WARNING

- Concrete must be 2000 psi density minimum. Lighter density concrete may not hold concrete anchor.
- Make sure that the supporting surface will safely support the combined load of the equipment and all attached hardware and components.

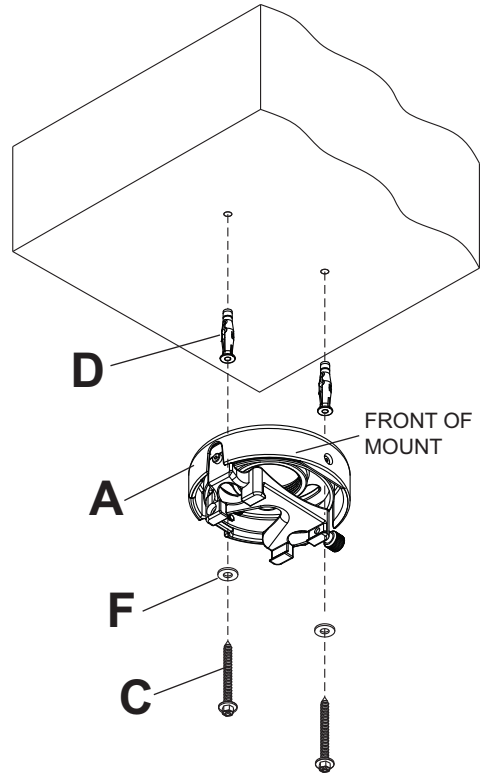
**3**

Place projector mount assembly (A) on ceiling as a template and mark the center of the two mounting holes. Drill two 5/16" (8 mm) dia. holes to a minimum depth of 2.5" (64 mm). Attach projector mount assembly (A) using two concrete anchors (D), two flat washers (F), and two #14 x 2.5" wood screws (C) as shown.

**Note:** Mounting slots on projector mount assembly allow for 30° (±15°) of rotation before fully securing wood screw.

Tighten wood screws (C) using 3/8" (10 mm) socket wrench or phillips screwdriver until projector mount assembly (A) is firmly attached.

Skip to step 5.



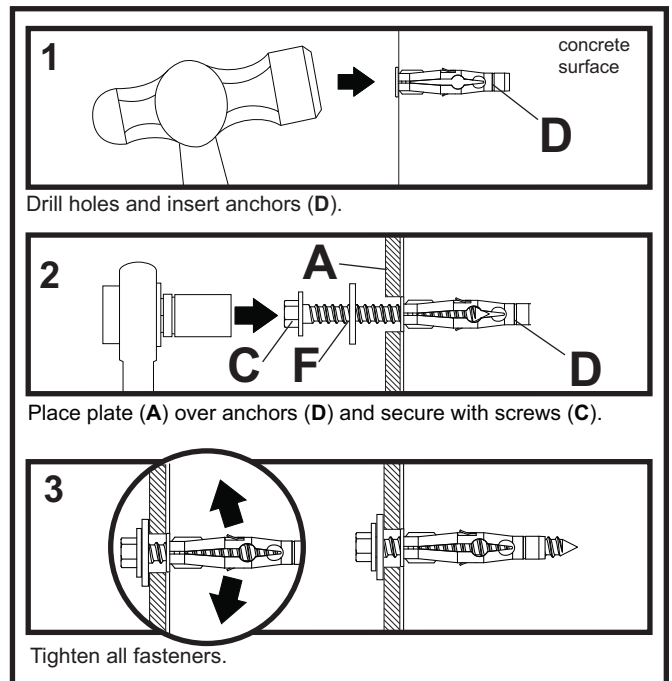
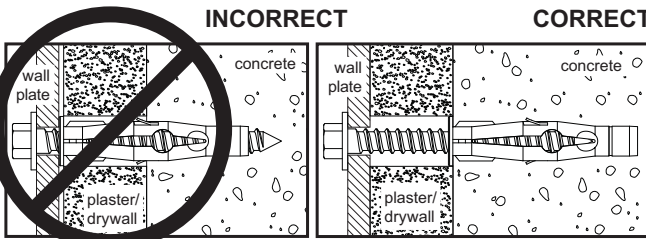
## ⚠ WARNING

- Tighten wood screws firmly, but do not overtighten. Overtightening can damage the screws, greatly reducing their holding power.
- Never tighten in excess of 80 in • lb (9 N.M.).

## ⚠ WARNING

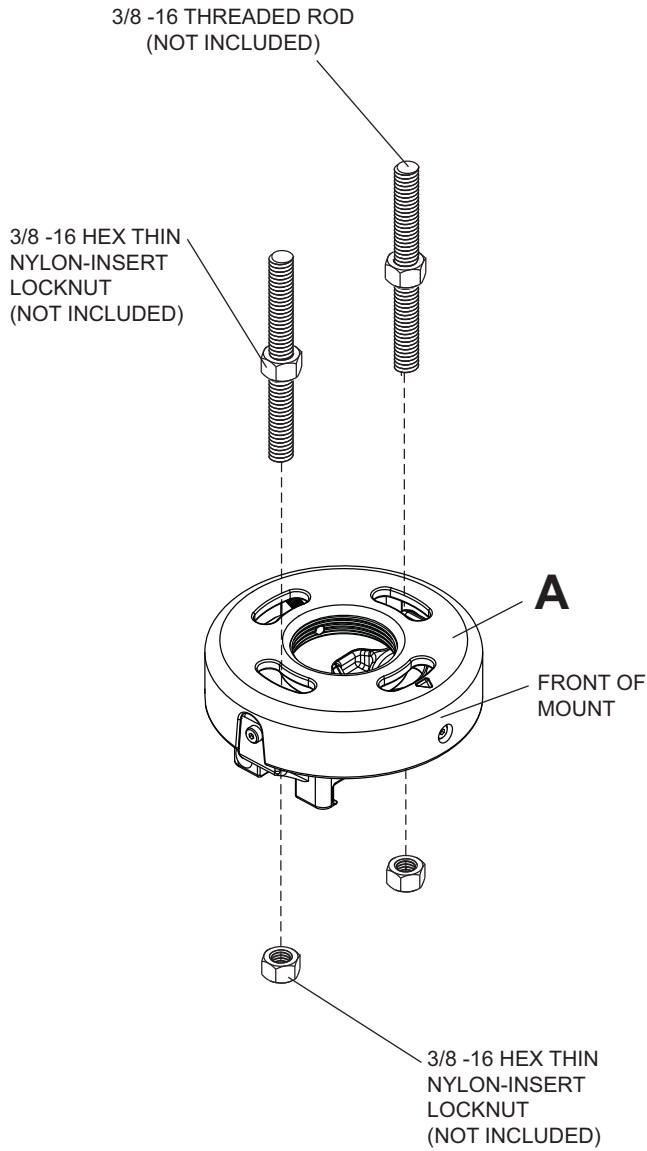
- Always attach concrete anchors directly to load-bearing concrete.
- Never attach concrete anchors to concrete covered with plaster, drywall, or other finishing material. If mounting to concrete surfaces covered with a finishing surface is unavoidable (not evaluated by UL), the finishing surface must be counterbored as shown below. Be sure concrete anchors do not pull away from concrete when tightening screws. If plaster/drywall is thicker than 5/8", custom fasteners must be supplied by installer (not evaluated by UL).

CUTAWAY VIEW

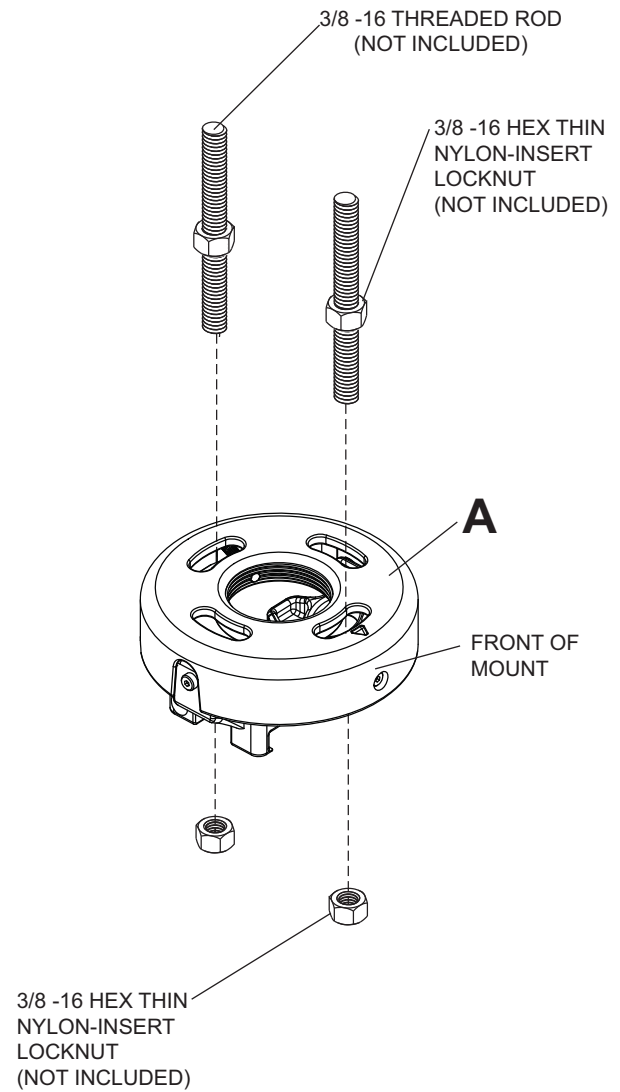


## Installation to Threaded Rod (Not evaluated by UL - Professional installation only)

- 4** Thread two 3/8-16 hex thin nylon-insert locknuts (not included) on two 3/8-16 threaded rods (not included) to the desired height of projector mount assembly. Attach projector mount assembly (**A**) to the two 3/8-16 threaded rods using two 3/8-16 hex thin nylon-insert locknuts as shown in **figure 4.1** or **figure 4.2**.



**fig. 4.1**



**fig. 4.2**

## Attaching Adapter Plate to Projector

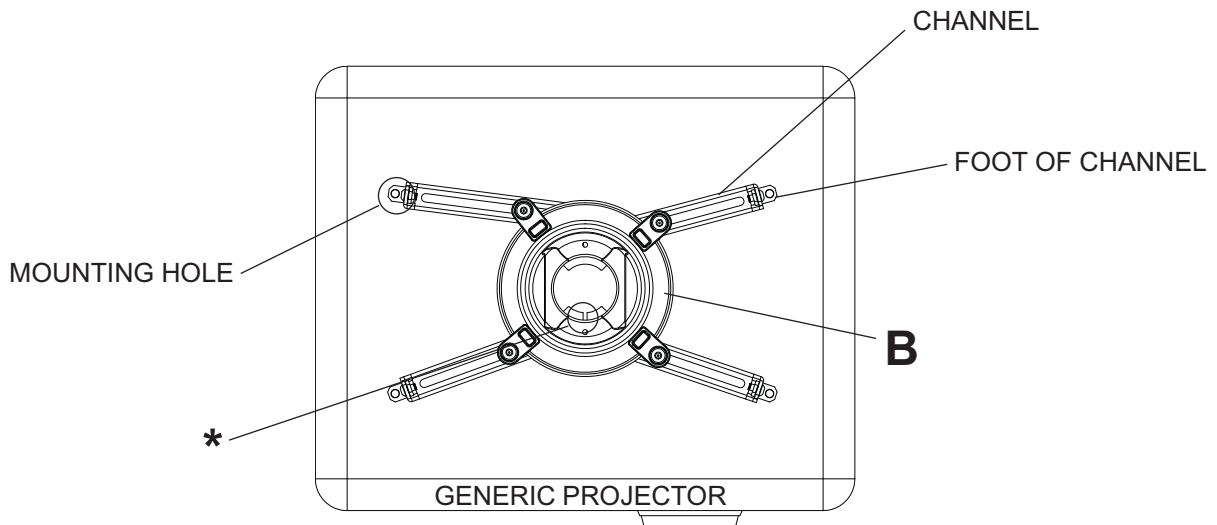
**Note:** The projector you are installing may differ in appearance from the sample illustrated below.

- 5** Place projector upside down. Locate adapter plate (**B**) with notch facing forward as close to projector center of gravity as possible without covering any mounting holes. Loosen channels with 4 mm security t-wrench (**L**), and **if there are only three mounting holes remove fourth channel**. Using one channel for each mounting hole, position feet of channels over mounting holes as shown below. **Important:** If projector does not have at least three mounting holes, do not use this adapter plate.

**Note:** Some projectors have feet which can be removed and the corresponding threaded insert can be used for a mounting hole.

**Note:** Once channels are in position retighten fasteners.

\*Notch indicates front of projector.



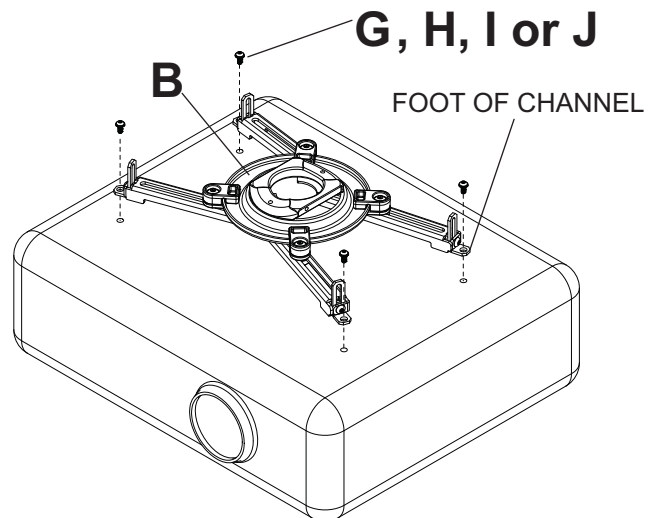
- 6** Attach adapter plate (**B**) to projector using one screw (**G, H, I or J**) for each channel as shown below. Tighten all screws, while keeping the center of gravity. Be sure that adapter plate (**B**) is straight. Adjust the feet of the channels to keep the adapter plate level. Tighten all screws with 4 mm security t-wrench (**L**) while keeping the center of gravity. If M3 screws (**G**) are used, tighten using 2 mm security allen wrench (**M**).

**Note:** Projectors will require different size screws for mounting. Use a combination of screws (**G, H, I or J**) and foot adjustment that will result in channels of adapter plate (**B**) fitting tightly against projector. **Important:** In order to properly engage the threads in the mounting holes, the screw must be turned at least 3 full turns.

**Note:** If using screw (**G**), place washer (**K**) between screw (**G**) and foot of channel.

### CAUTION

- It is the responsibility of the installer to ensure that the projector is properly ventilated. Feet of channels are used to raise the mount off the projector surface.



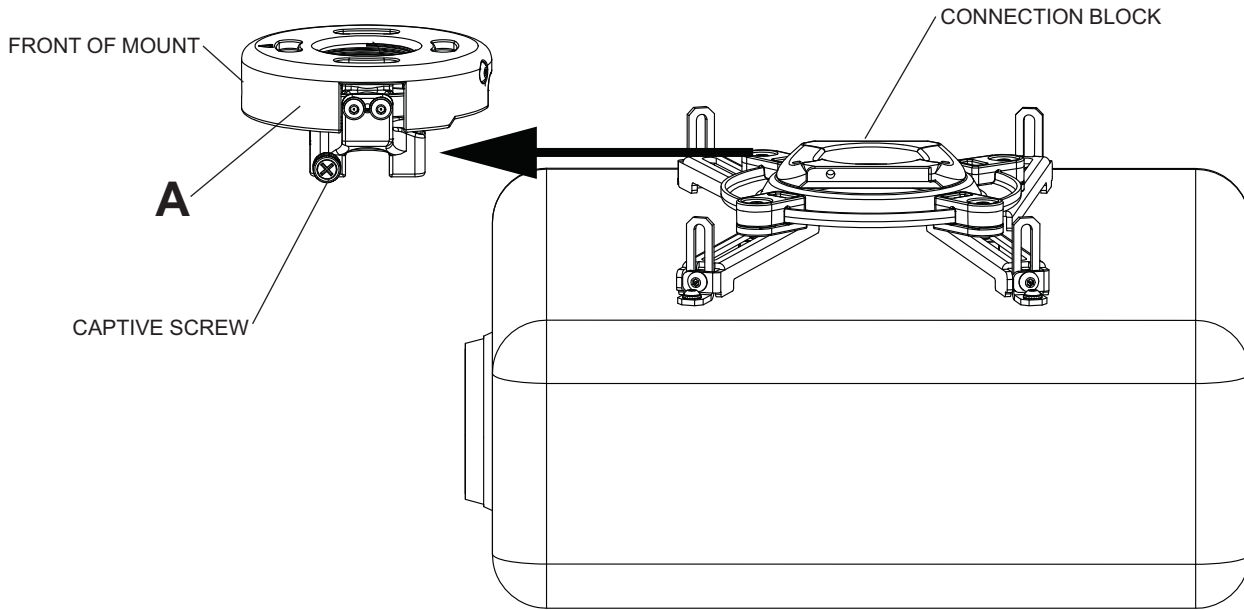


## Attaching Adapter Plate to Projector (continued)

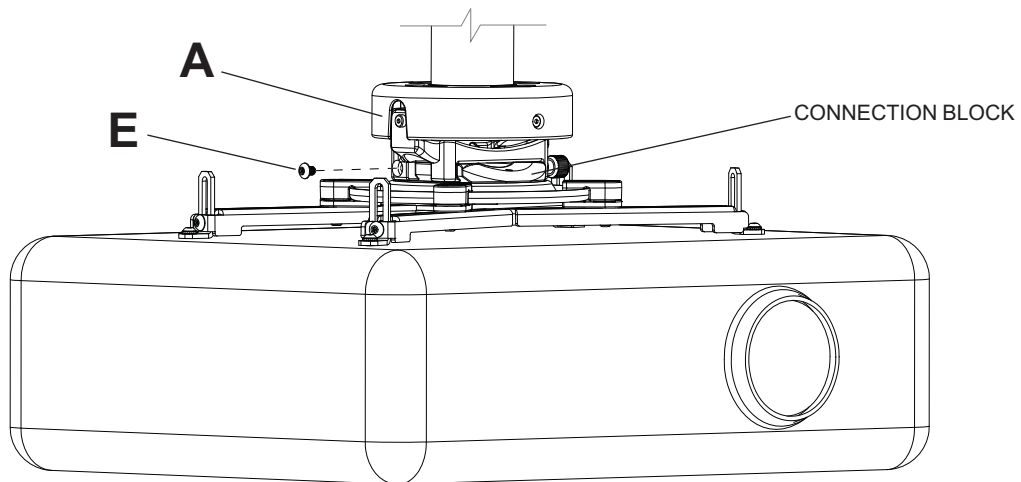
### ⚠ WARNING

- Always use an assistant or mechanical lifting equipment to safely lift and position the projector.

- 7** Slide connection block with projector into projector mount assembly (A) as shown. Push in and tighten captive screw to secure projector to projector mount assembly (A).



- 8** **IMPORTANT:** For security installations, insert one #10-32 x 1/4" socket pin screw (E) through projector mount assembly (A) and into connection block as shown. Tighten screw with 4mm security t-wrench (L).



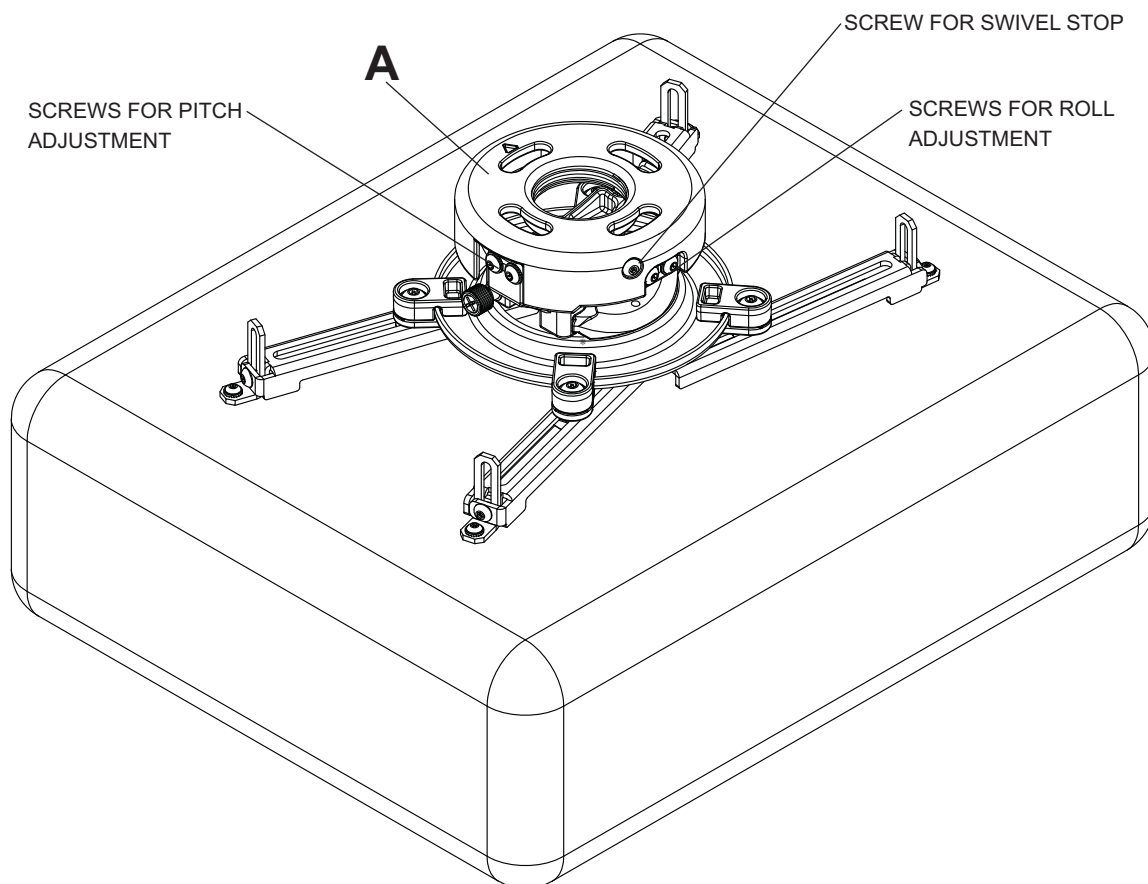
## Projector Alignment

**9** **To adjust yaw (swivel) for threaded rod mounting applications:** Loosen locknuts on threaded rods (refer to step four), until projector mount can be rotated. Rotate mount to desired position and retighten screws or locknuts.

**To adjust yaw (swivel) for extension column applications:** Loosen screw on projector mount assembly (**A**) indicated below until projector mount can be rotated. Rotate mount to desired position and retighten screw.

**To adjust pitch (forward and backward tilt):** Using 4 mm security t-wrench (**L**) (security adjustment models) or a phillips screwdriver (non-security adjustment models), loosen two screws for pitch adjustment on projector mount assembly (**A**) indicated below. Tilt mount to desired position and retighten screws.

**To adjust roll (side to side tilt):** Using 4 mm security t-wrench (**L**) (security adjustment models) or a phillips screwdriver (non-security adjustment models), loosen two screws for roll adjustment on projector mount assembly (**A**) indicated below. Tilt mount to desired position and retighten screws.

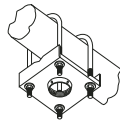


# PRS Series Projector Mount Accessories

## Ceiling Plates

### Truss Ceiling Adapter

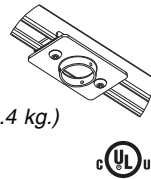
**MODEL:** ACC 557\*  
**MAX LOAD:** 250 lbs. (113.4 kg.)  
**COLOR:** Black



- Attaches to a square, round, rectangular, or I-Beam truss up to 3" in diameter

### Unistrut® Adapter

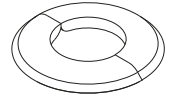
**MODEL:** ACC 550  
**MAX LOAD:** 250 lbs. (113.4 kg.)  
**COLOR:** Black



- Designed for use with 1 5/8" x 1 5/8" 12 gauge Unistrut

### Escutcheon Ring

**MODEL:** ACC 640



- Covers hole where extension column passes through ceiling
- Hinged ring wraps around extension column
- Included with CMJ 500

**New!**

### Lightweight Cathedral Ceiling Plate

**MODEL:** ACC 912\*  
**MAX LOAD:** 60 lbs. (27.2 kg.)  
**COLOR:** Black

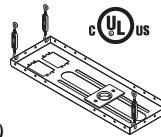


- Designed specifically for projectors
- Allows a projector to be mounted on an angled ceiling

**New!**

### Lightweight Adjustable Suspended Ceiling Kit

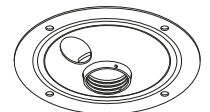
**MODEL:** CMJ 500  
**MAX LOAD:** 60 lbs. (27.2 kg.)  
**COLOR:** White



- Mounts above 2' x 4' or 2' x 2' false ceiling tile
- Includes tie wire supports, flush mount tube, and offers two knockout panels for outlet boxes
- Offers unlimited adjustment for projector placement

### Round Ceiling Plate

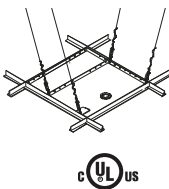
**MODEL:** ACC570(S)(W)  
**COLOR:** Black, silver or white  
**MAX LOAD:** 150 lb (68 kg)  
**SHIP WEIGHT:** 1.7 lb (.8 kg)



- Designed for finished or structural ceilings (wood or concrete)
- Features a cord management

### Lightweight Suspended Ceiling Kit

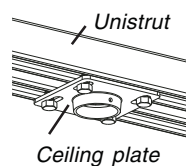
**MODEL:** CMJ 455  
**MAX LOAD:** 50 lbs. (22.7 kg.)  
**COLOR:** White



- Five different projector mount attachment points
- Includes tie wire supports, flush mount tube, and offers two knockout panels for outlet boxes
- May either **replace** a 2' x 2' false ceiling tile or mount **above** an existing 2' x 2' or 2' x 4' ceiling tile

### Unistrut or Structural Ceiling Plates

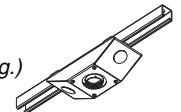
**MODELS:** CMJ 300\*, CMJ 310\*  
**MAX LOAD:** 250 lbs. (113.4 kg.)  
**COLOR:** Black



- CMJ 300 is a 4" x 4" ceiling plate
- CMJ 310 is a 8" x 8" ceiling plate
- Designed for a Unistrut ceiling (1 5/8" x 1 5/8" 12 gauge Unistrut) or a solid structural ceiling (mounting hardware not included)

### Anti-Vibration Ceiling Plates

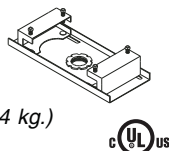
**MODELS:** ACC 840\*, ACC 845\*  
**MAX LOAD:** 60 lbs. (27.2 kg.)  
**COLOR:** Black



- ACC 840 was designed for a structural ceiling (wood only)
- ACC 845 was designed for a Unistrut ceiling (1 5/8" x 1 5/8" 12 gauge Unistrut)
- Reduces unwanted vibrations that may cause internal damage to the equipment and/or cause the screen image to vibrate
- Features two cord management access holes
- Patent pending

### I-Beam Clamps

**MODELS:** ACC 558, ACC 559  
**MAX LOAD:** 250 lbs. (113.4 kg.)  
**COLOR:** Black



- ACC 558 clamps onto 4"-8" I-Beam
- ACC 559 clamps onto 7"-12" I-Beam

### Accessory Pack for CMJ 455

**MODEL:** ACC 455\*

This pack includes 4 hanger brackets and 4 hanger clamps for additional stability. For use with model CMJ 455.

\* = Not UL Listed

# PRS Series Projector Mount Accessories

## Cord Management

### Cord Wrap

**MODELS:** ACC 852(W)(S)\*  
**COLOR:** Black, White, or Silver



- Includes, four, 2' sections
- Designed to externally route cords along the outside of an 1/2" extension column
- Sections can be stacked to create longer lengths or cut to desired length

## Extension Columns

### Fixed Length 1 1/2" Extension Columns

**COLOR:** Black

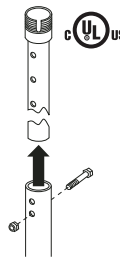
MODEL	Drop Length	Ship Weight
EXT 006	8" (20 cm)	2.5 lbs (1.13 kg)
EXT 018	20" (51 cm)	5 lbs (2.27 kg)
EXT 101	14" (36 cm)	3.5 lbs (1.59 kg)
EXT 102	26" (66 cm)	6 lbs (2.72 kg)
EXT 103	38" (97 cm)	9.25 lbs (4.2 kg)
EXT 104	50" (127 cm)	12 lbs (5.44 kg)
EXT 105	62" (158 cm)	14.75 lbs (6.69 kg)
EXT 106	74" (188 cm)	18 lbs (8.16 kg)
EXT 107	86" (219 cm)	20.75 lbs (9.41 kg)
EXT 108	98" (249 cm)	23.25 lbs (10.55 kg)
EXT 109	110" (279 cm)	26.5 lbs (12.02 kg)
EXT 110	122" (310 cm)	29 lbs (13.15 kg)



### Adjustable Length 1 1/2" Extension Columns

**COLOR:** Black

MODEL	Drop Length	Ship Weight
ADJ 006009	8"-11"	4 lbs. (1.81 kg)
ADJ 012018	14"-20"	4.75 lbs. (2.15 kg)
ADJ 018024	20"-26"	6.25 lbs. (2.83 kg)
ADJ 0203	26"-38"	8 lbs. (3.63 kg)
ADJ 0305	38"-62"	13.5 lbs. (6.12 kg)
ADJ 0406	50"-74"	16.25 lbs. (7.37 kg)
ADJ 0507	62"-86"	18.5 lbs. (8.39 kg)
ADJ 0608	74"-98"	21.75 lbs. (9.87 kg)
ADJ 0709	86"-110"	24.5 lbs. (11.11 kg)
ADJ 0810	98"-122"	27 lbs. (12.25 kg)
ADJ 0911	110"-134"	29 lbs. (13.15 kg)
ADJ 1012	122"-146"	31 lbs. (14.06 kg)

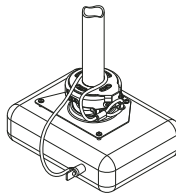


## Security Accessories

### Armor Lock™ Plus Security Cables

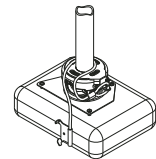
**MODEL:** ACC 020\*

- With security lock
- For use with projectors that have a built-in security slot



**MODEL:** ACC 021\*

- With 1/4" security cable and fasteners
- Includes adhesive for non-fastener applications



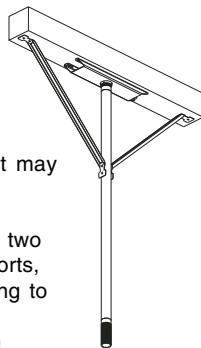
## Additional Projector Mount Accessories

### Extension Column Stabilizer Kit

**MODEL:** ACC 050\*

**COLOR:** Black

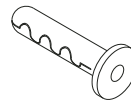
- Can be used to reduce unwanted swaying that may occur with extension column installations
- Includes a hose clamp, two stabilizer column supports, & hardware for mounting to wood joists
- For use with extension columns over 21"



### ALLIGATOR® Concrete Anchors

**MODELS:** ACC 203, 204

- ACC 203 contains 3 anchors
- ACC 204 contains 4 anchors
- Used for attachment to concrete, concrete block, or brick
- Used in conjunction with wood screws (supplied with projector mount and/or ceiling plate)
- Expands in length and binds to the contours of the hole and the screw



### Extension Column Connector with Cord Management

**MODEL:** ACC800, ACC850(S)

**COLOR:** ACC800 Black

ACC850 Black or Silver

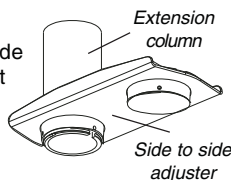
- 1-1/2" access hole for internal cord management
- Unit has 1-1/2"-11.5 NPT fitting for attachment of extension column
- Security screws included
- ACC800: One male and one female connection to provide internal cord management between extension column and mount or ceiling plate
- ACC850: Two female connectors to join two extension columns to create maximum length of 20'

### Side-To-Side Adjuster

**MODEL:** ACC 830\*

**COLOR:** Black

- Provides 4" of radial adjustment side to side
- Includes Flush Mount Tube, EXT 002

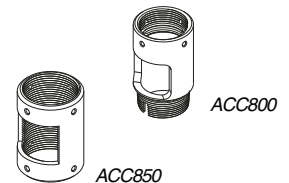


### Extension Column Connector

**MODEL:** ACC 109\*

**COLOR:** Black

- Can be used to join two 1-1/2" extension columns to create a maximum length of 20'
- Secures to columns with Armor Lock™ Security screws



\* = Not UL Listed