

TECHNICAL DATA SHEET

MODELS: PRS-EXB, PRS-EXB-S, PRS-EXB-W

peerless®

PRS Precision Gear Projector Mount Kit with EXB Ceiling/Wall mount



The PRS-EXB is the lowest profile universal projector mount available today. In a kit with the adjustable EXB ceiling or wall column, it offers a quick and easy installation in addition to unmatched versatility. This new kit provides unlimited versatility featuring both ceiling and wall mount capability.

Features:

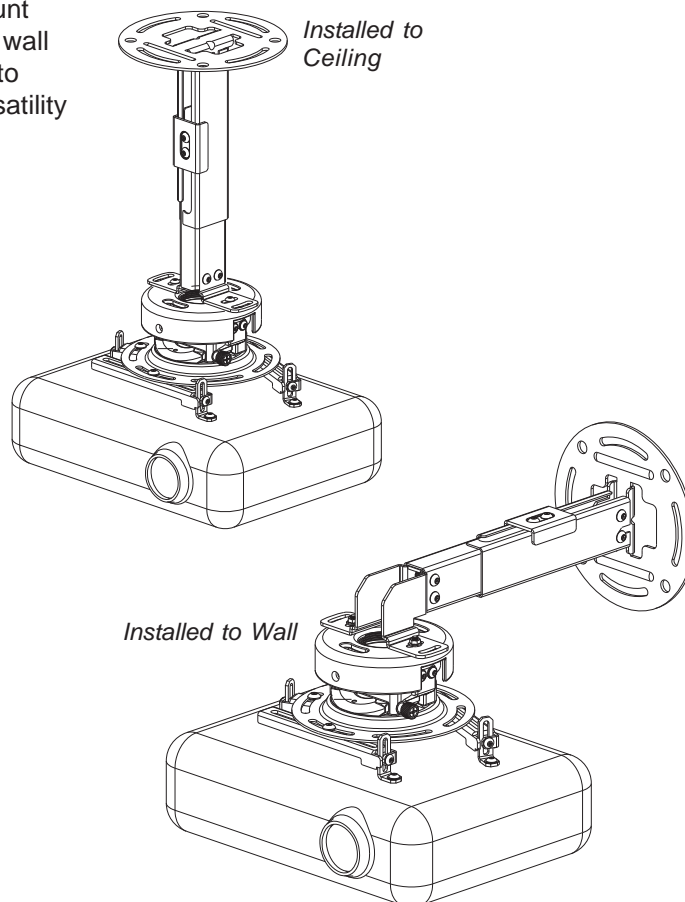
- Tilt: +20°/-5°, Roll: ±10°, Swivel: 360° (when attached to an extension column), ±30° swivel (when flush mounted), which enables the image to be perfectly aligned with the screen
- For projectors up to 25 lbs
- Independent roll, pitch, and yaw adjustments provide easy image alignment
- Can be mounted directly to a single wood beam/stud or concrete slab without disassembling the mount and without reinforcing the ceiling
- Capable of mounting to a ceiling or wall
- Quick release mechanism to easily remove projector for maintenance
- Cable management allows cables to be routed through projector mount out of sight
- Includes Spider® Universal adapter plate
- Available in black, silver, and white

Dimensions:

For product dimensions, see page 2.

Accessories:

- Suspended Ceiling Kits (CMJ series)
- Ceiling plates (various models available)
- Extension Columns (various models available)
- Cord Management Adapter (ACC 800)
- Extension collar connector (ACC 109)
- Projector Wall Arm (PWA-14)
- Truss Ceiling Adapter (ACC 557)
- Unistrut Adapter (ACC 550)
- I-beam Clamps (ACC 558, ACC 559)
- Cathedral Ceiling Plate (ACC 912)
- Anti-vibration Plate (ACC 840, ACC 845)
- Side-side Adjuster (ACC 830)
- Cord Wrap (ACC 852, ACC 852S, ACC 852W)
- Escutcheon ring (ACC 640)



ARCHITECTS SPECIFICATIONS

The **Universal Projector Ceiling/Wall Mount** shall be a Peerless model _____ and shall be located where indicated on the plans. It shall feature Tilt: +20°/-5°, Roll: ±10°, Swivel: 360° (when attached to an extension column), ±30° swivel (when flush mounted), which enables the image to be perfectly aligned with the screen. It shall have a 25 lb load capacity. It shall have a quick release spring loaded screw for easy removal and installation of the projector. It shall be constructed of aluminum alloy finished in black, white, or silver. Assembly and installation shall be done according to instructions provided by the manufacturer.

Peerless Industries, Inc.

3215 W. North Ave. Melrose Park, IL 60160
708-865-8870 800-865-2112 Fax 708-865-2941

www.peerlessmounts.com

ISSUED: 06-05-08 SHEET NO: 056-9631-1

©2007, Peerless Industries, Inc. All rights reserved.
All other brand and product names are trademarks or registered trademarks of their respective owners.

TECHNICAL DATA SHEET

MODELS: PRS-EXB, PRS-EXB-S, PRS-EXB-W

All dimensions shown as: inch (mm)

Dimensions:

Weight:

6.70 lb (3.04 kg)

Shipping weight:

7.64 lb (3.47 kg)

Maximum Load Capacity:

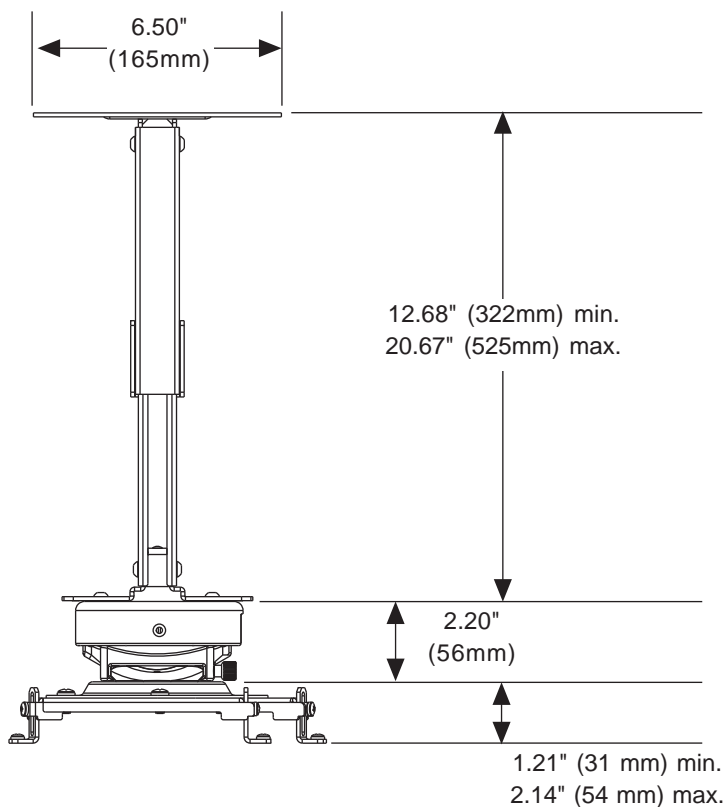
25 lb (11.34 kg)

Shipping Carton dimensions:

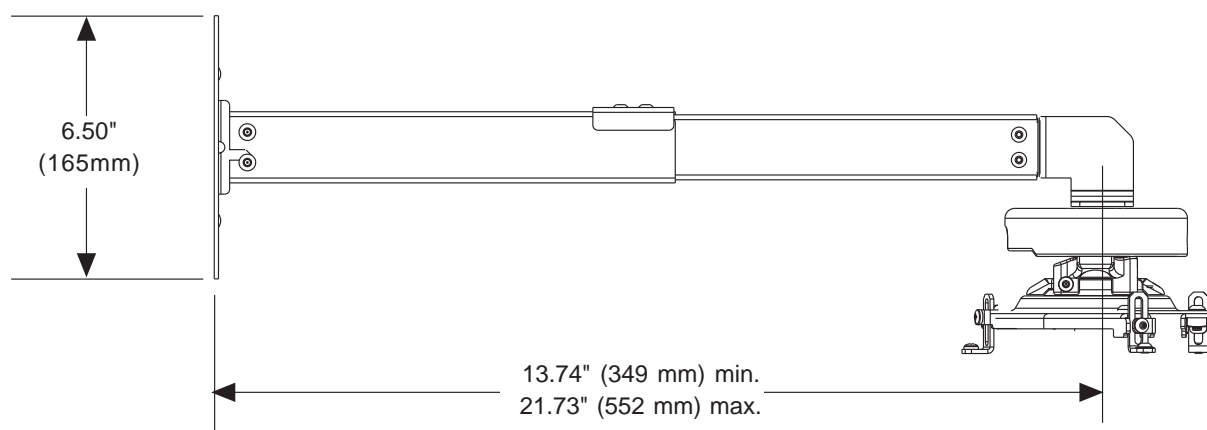
L = 12.625 in (321 mm)

W = 9.313 in (237 mm)

H = 4.25 in (108 mm)



CEILING MOUNTED



WALL MOUNTED

Peerless Industries, Inc.

3215 W. North Ave. Melrose Park, IL 60160

708-865-8870 800-865-2112 Fax 708-865-2941

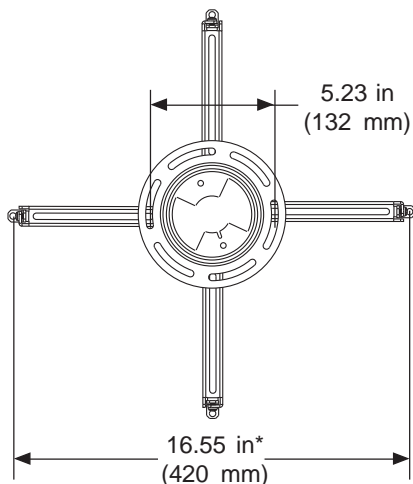
www.peerlessmounts.com

ISSUED: 06-05-08 SHEET NO: 056-9631-1

©2007, Peerless Industries, Inc. All rights reserved.
All other brand and product names are trademarks or registered trademarks of their respective owners.

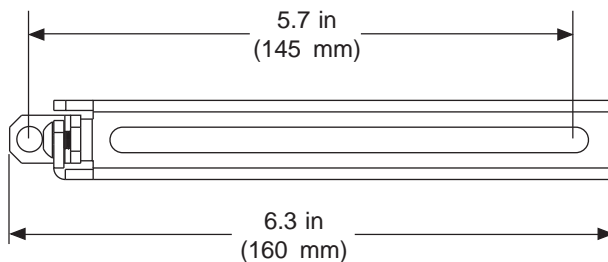
TECHNICAL DATA SHEET

MODELS: PRS-EXB, PRS-EXB-S, PRS-EXB-W



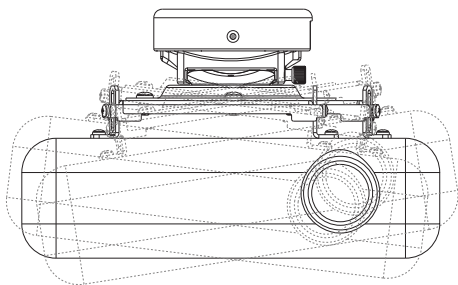
*Mounting holes on projector must be within a 16.6" diameter in order to use this product.

DETAIL OF ADAPTER PLATE

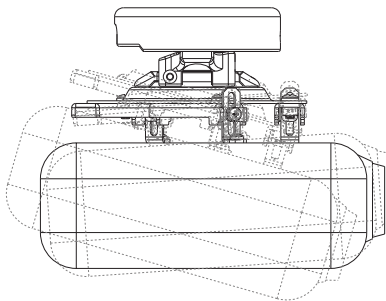


DETAIL OF CHANNEL

ROLL $\pm 10^\circ$



PITCH $+5^\circ/-20^\circ$



YAW 360° (when attached to an extension column), $\pm 30^\circ$ (when flush mounted)

