

Projector

Ceiling Mounts

PARAMOUNT™ by Peerless

Flush Ceiling Projector Mount

For Projectors up to 50 lb



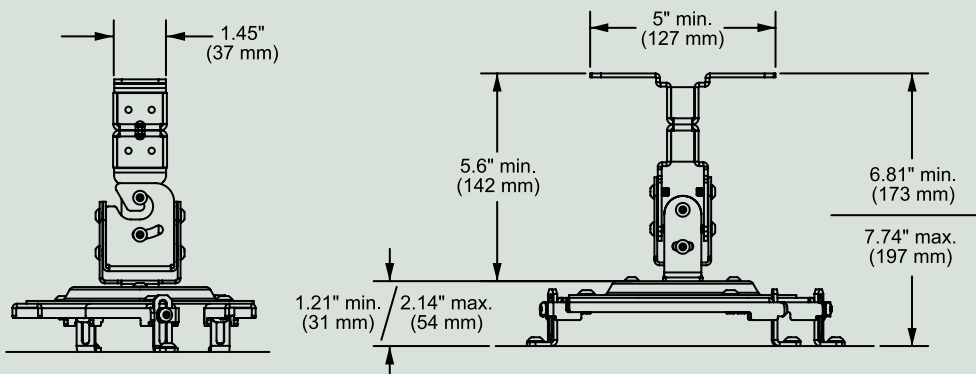
- Provides full range of image adjustment:
Tilt: +30/-5°
Roll: ±20°
Swivel: ±20°

- Low-profile design for flush mount installations

- Spider® universal adapter plate extends from 7.1" to 16.55" to fit most projector models



* Includes theft resistant hardware for attaching projector to mount



MODELS

UNIVERSAL MODELS

Security Fasteners*

PPF	Black
PPF-S	Silver
PPF-W	White

PROJECTOR ADAPTER

UNIVERSAL MODELS:

Includes Spider® universal adapter plate to accommodate projector mounting holes from 7.1" to 16.5"

SPECIFICATIONS

DIMENSIONS: (W x H x D)
7.1"-16.55" x 5.6" x 7.1"-16.55"
(18-42 x 14.2 x 18-42 cm)

TILT: +30/-5°

SWIVEL: ±20°

ROLL: ±20°

MAX LOAD: 50 lb (22.6 kg)

SHIP WEIGHT: 4.8 lb (2.1 kg)

MOUNTING SURFACES: Wood joist, and

concrete ceiling



To verify mount compatibility with any LCD, plasma, or projector model use MountFinder™ at www.peerlessmounts.com 800.865.2112