

## TECHNICAL DATA SHEET -

MODEL: PPF, PPF-S, PPF-W

**PARAMOUNT** <sup>TM</sup> by Peerless



## Paramount<sup>TM</sup> Flush Ceiling Projector Mount

This flush projector mount virtually disappears behind the projector to deliver that highly desirable low-profile installation. Designed with enhanced installation simplicity and speed, this out-of-the-box, mounting solution enables fast and easy flush mount applications and accommodates virtually all projectors up to 50 lb.

### Features:

- Universal adapter plate extends from 7.1" to 16.55" to fit most projector models
- Low-profile design hides behind the projector for a clean, professional look
- Independent tilt, swivel and roll adjustment for perfect image alignment
- Includes all necessary mounting and projector attachment hardware
- Supports up to 50 lb projectors

### Dimensions:

#### Weight:

3.4 lb (1.54 kg)

#### Shipping weight:

4.6 lb (2.1 kg)

#### Maximum Load Capacity:

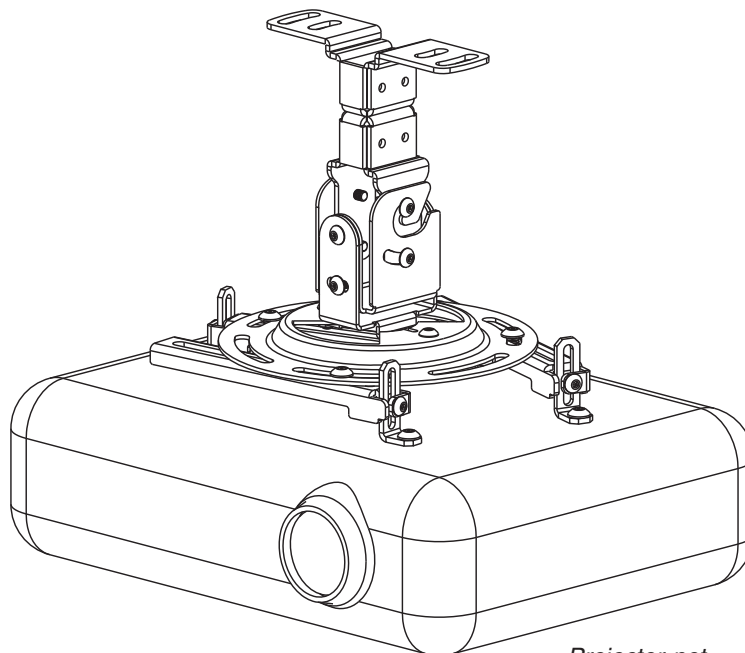
50 lb (22.7 kg)

#### Shipping Carton dimensions:

**L** = 12.06 in (306 mm)

**W** = 9.31 in (236 mm)

**H** = 4.25 in (108 mm)



*Projector not included*

### ARCHITECTS SPECIFICATIONS

The Flush Ceiling Projector Mount shall be Peerless models \_\_\_\_\_ and shall be located where indicated on the plans. It shall feature adjustable +30°/-5° tilt. It shall be constructed of heavy gauge cold rolled steel and finished with scratch resistant Black, Silver or White Fused Epoxy. Assembly and installation shall be done according to instructions provided by the manufacturer.

#### Peerless Industries, Inc.

3215 W. North Ave. Melrose Park, IL 60160  
708-865-8870 800-865-2112 Fax 708-865-2941

[www.peerlessmounts.com](http://www.peerlessmounts.com)

ISSUED: 01-16-08 SHEET NO: 056-9619-1

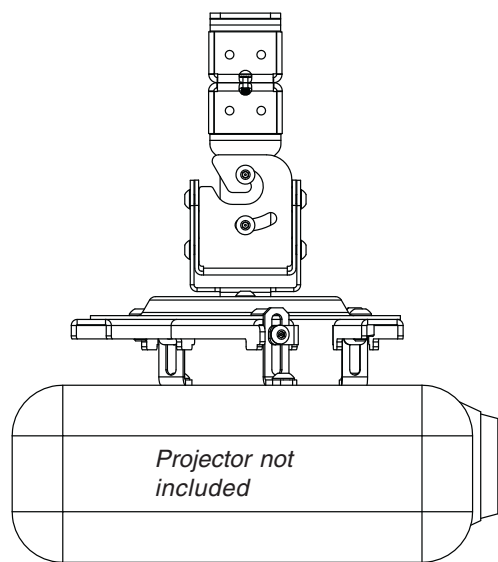
©2008, Peerless Industries, Inc. All rights reserved.

All other brand and product names are trademarks or registered trademarks of their respective owners

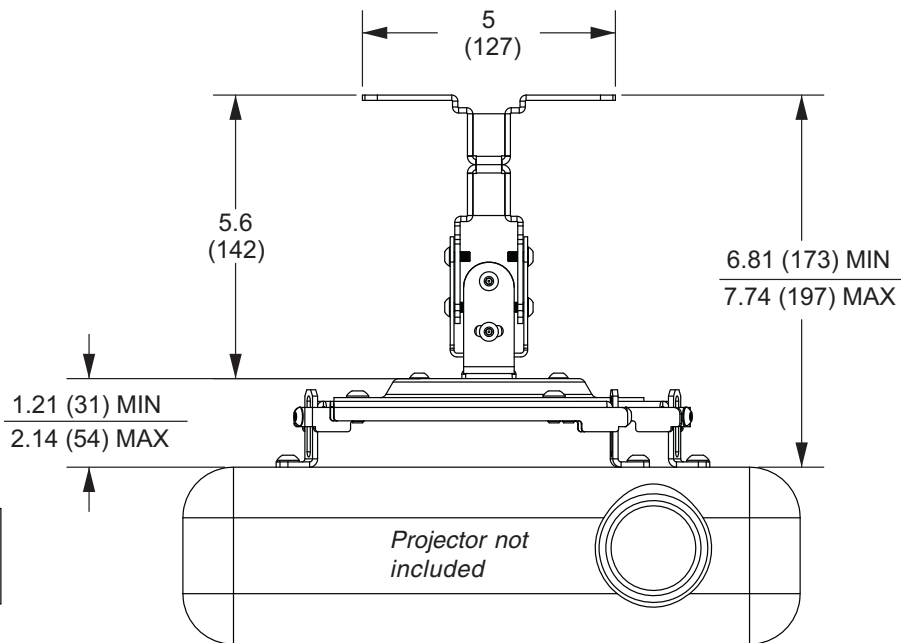
# TECHNICAL DATA SHEET -

**MODEL: PPF, PPF-S, PPF-W**

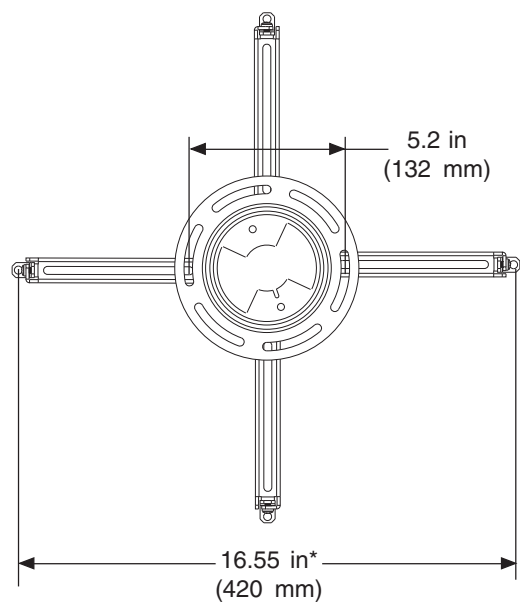
All dimensions = inch (mm)



**Side View**

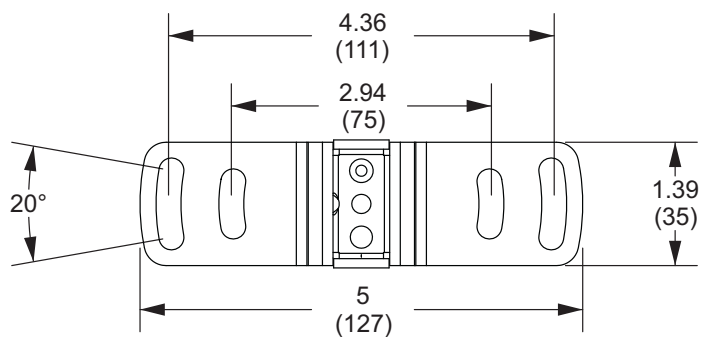


**Front View**

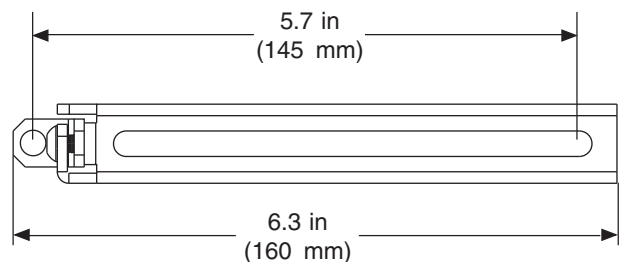


**Top View of Adapter Plate**

\*Mounting holes on projector must be within a 16.55 in diameter in order to use this product.



**Ceiling Plate Detail**

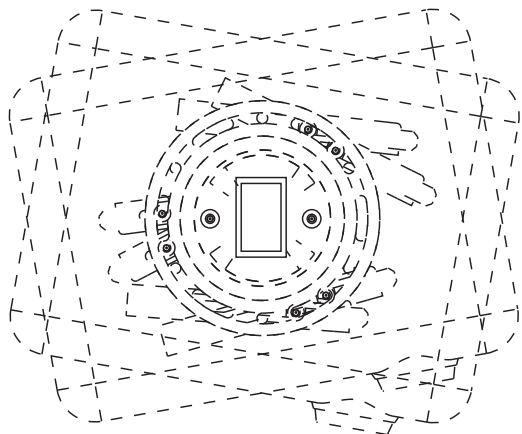


**Channel**

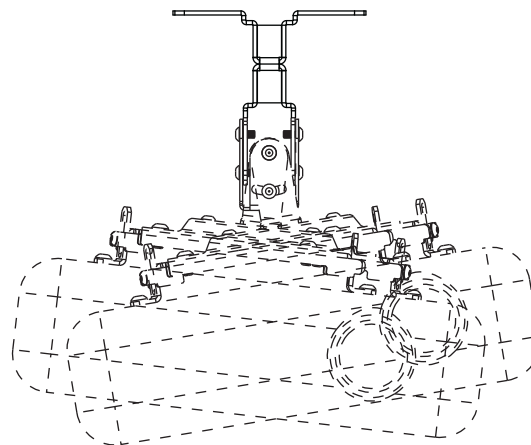
# TECHNICAL DATA SHEET -

MODEL: PPF, PPF-S, PPF-W

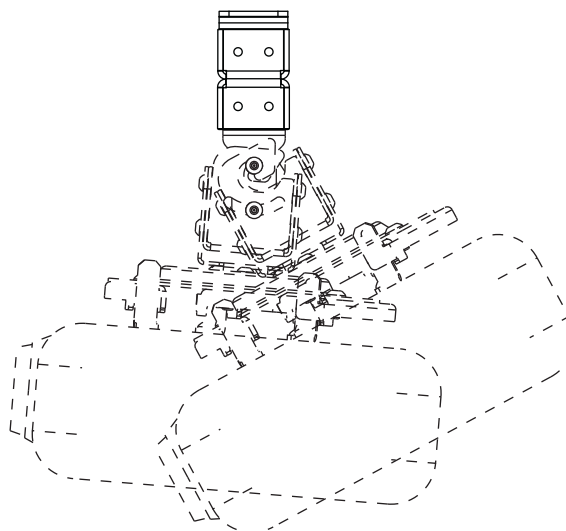
All dimensions = inch [mm]



20° ( $\pm 10^\circ$ ) SWIVEL  
**SWIVEL ADJUSTMENT**  
TOP VIEW



20° ( $\pm 10^\circ$ ) ROLL  
**ROLL ADJUSTMENT**  
FRONT VIEW



35° ( $-5^\circ/+30^\circ$ ) TILT  
**TILT ADJUSTMENT**  
SIDE VIEW