

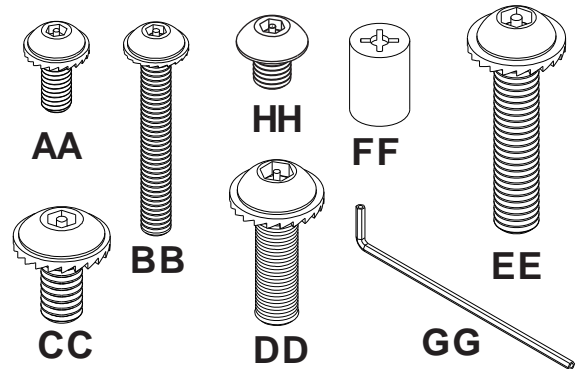
**Installation and Assembly - Security Fasteners for 10" - 25" LCD Screens with VESA® 75, VESA 100, VESA 200 x 100 and VESA 200 x 200 Mounting Patterns**

**Model: ACC 919**

**IMPORTANT! Read entire instruction sheet before you start installation and assembly.**

**Parts List**

| Description  | Qty. | Part #   |
|--|------|----------|
| <b>AA</b> M4 x 10 mm serrated washer head socket pin screw | 4    | 510-1060 |
| <b>BB</b> M4 x 20 mm serrated washer head socket pin screw | 4    | 510-1061 |
| <b>CC</b> M6 x 12 mm serrated washer head socket pin screw | 4    | 510-1050 |
| <b>DD</b> M6 x 20 mm serrated washer head socket pin screw | 4    | 510-9554 |
| <b>EE</b> M6 x 30 mm serrated washer head socket pin screw | 4    | 510-1067 |
| <b>FF</b> .198" x .313" x .437" H retaining spacer         | 4    | 590-5005 |
| <b>GG</b> 4 mm security allen wrench                       | 1    | 560-9646 |
| <b>HH</b> M5 X 6 mm socket pin screw                       | 1    | 520-1114 |



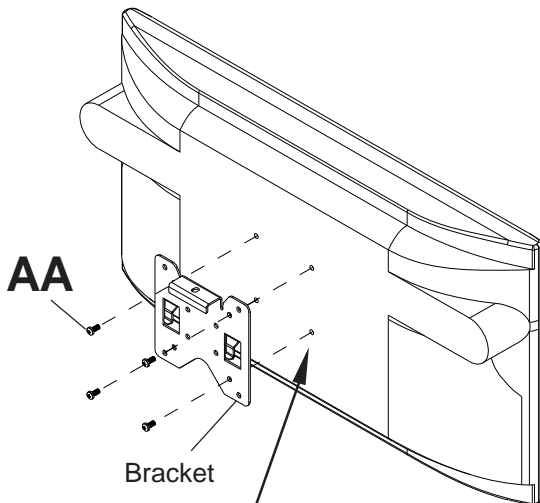
**⚠ WARNING**

- If screws don't get three complete turns in the screen inserts or if screws bottom out and bracket is still not tightly secured, damage may occur to screen or product may fail.

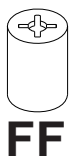
**1 FOR VESA® 75 MOUNTING PATTERN:**

Choose hole pattern as shown below. Attach hook bracket to back of screen using four M4 x 10 mm screws (**AA**) as shown below.

**\*Note:** If hole pattern is in a pocket, attach hook bracket to back of screen using four M4 x 20 mm screws (**BB**) and four retaining spacers (**FF**) as indicated below.

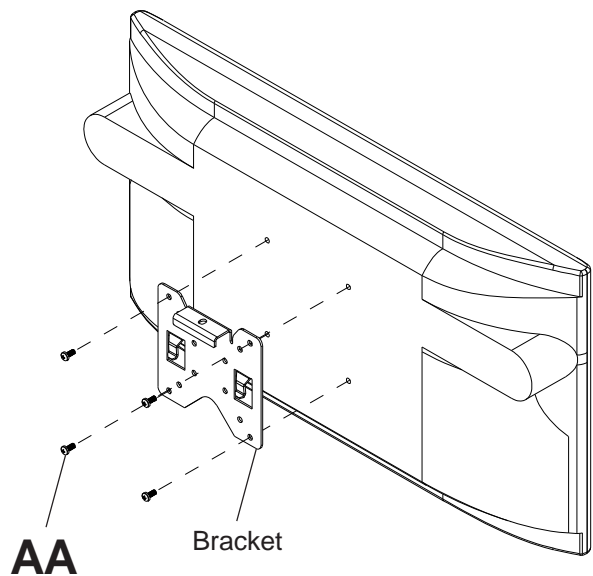


**\*For screens with a hole pattern in a pocket, spacers (FF) go between hook bracket and screen.**



**FOR VESA 100 MOUNTING PATTERN:**

Choose hole pattern as shown below. Attach hook bracket to back of screen using four M4 x 10 mm screws (**AA**) as shown below.



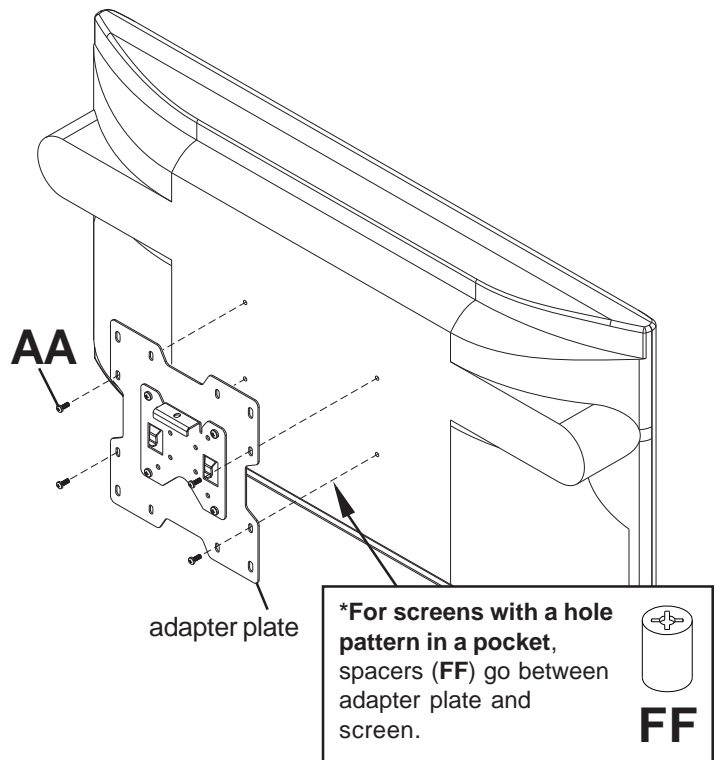
## ⚠ WARNING

- If screws don't get three complete turns in the screen inserts or if screws bottom out and adapter plate is still not tightly secured, damage may occur to screen or product may fail.

### 1-1 FOR VESA 200 x 100 MOUNTING PATTERN:

Choose hole pattern as shown below. Attach adapter plate to back of screen using four M4 x 10 mm screws (**AA**) as shown.

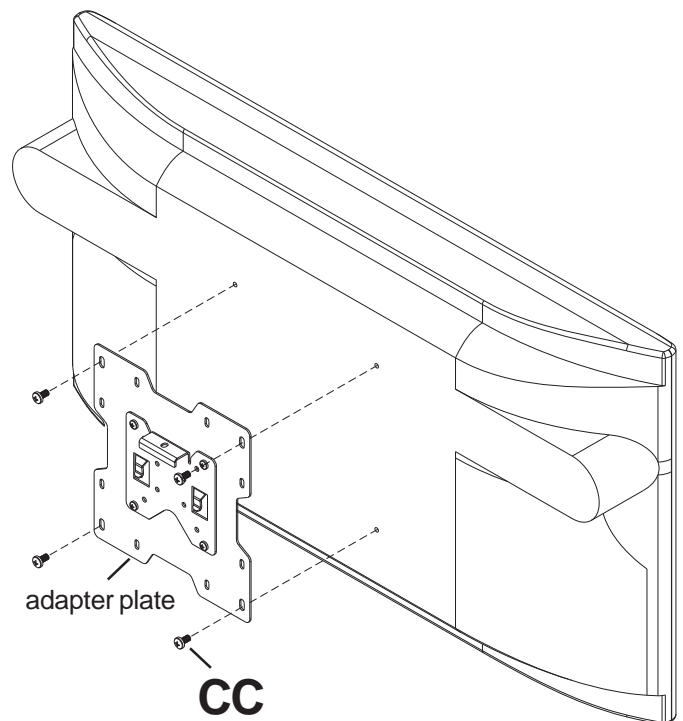
**\*Note:** If screw (**AA**) gets less than three threads of engagement, attach adapter plate to back of screen using four M4 x 20 mm screws (**BB**) and four spacers (**FF**) as indicated.



### 1-2 FOR VESA 200 x 200 MOUNTING PATTERN:

Choose hole pattern as shown below. Attach adapter plate to back of screen using four M6 x 12 mm screws (**CC**) as shown below.

**\*Note:** If screw (**CC**) gets less than three threads of engagement, attach adapter plate to back of screen using four M6 x 20 mm screws (**DD**). If screw (**DD**) still gets less than three threads of engagement, use four M6 x 30 mm screws (**EE**).



- 2 Remove phillips screw and replace with M5 x 6 mm socket pin screw (HH) to lock screen to wall mount as shown in figure 3.3.

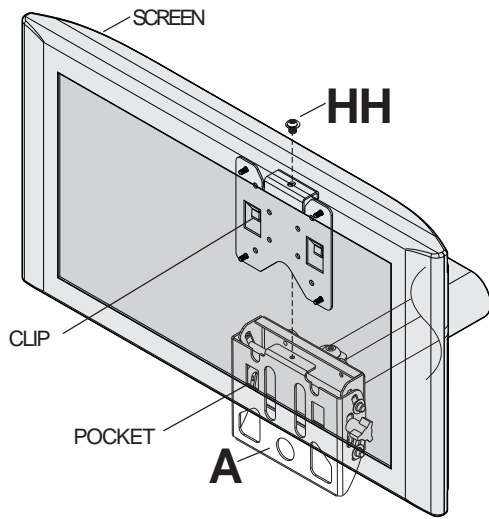


fig. 3.3