

**TECHNICAL DATA SHEET -****MODEL: IBA1****peerless®****In-wall Box for A/V Accessories**

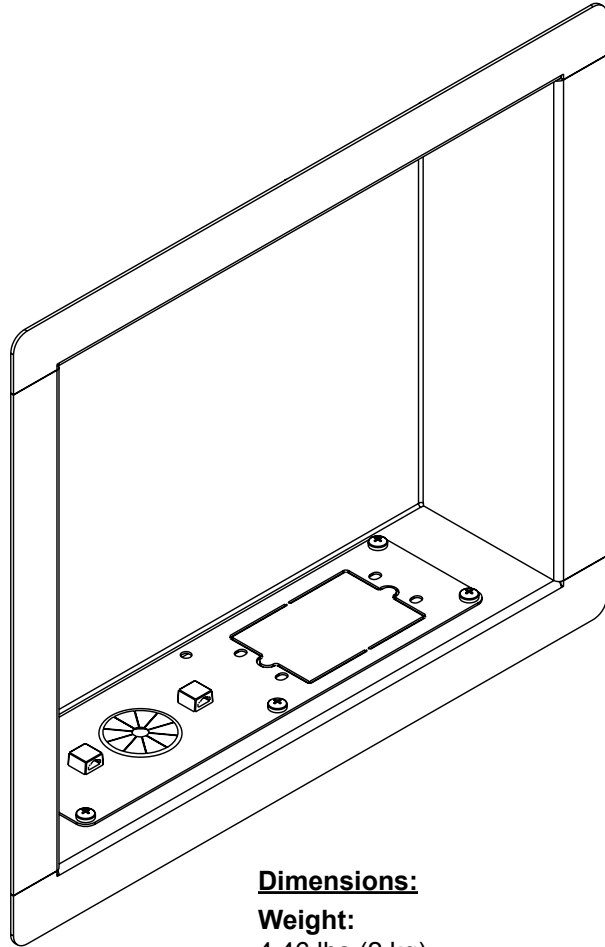
Keep cords and cables completely hidden from view with the In-wall Box accessory. It's the perfect behind-the-screen solution. Power and cables can be run directly from the screen into the wall. Complete a virtually invisible installation with the unprecedented combination of a Peerless mount and the In-wall Box accessory.

**Features:**

- Helps hide all wires that may run to the screen for a clean and near-invisible installation
- Provides additional space to "hide" cables behind the screen
- Useable Space: 13" W x 9.5" H
- Installs between two wood studs or drywall when positioned vertically
- Removable outlet receptacle and cable management access plates for cables to be run behind the wall or an electrical socket to be connected directly to the box
- Max Load Capacity: 25 lb

**Accessories:**

- ACC415 – Metal Stud Fastener Kit (Used For Drywall Installations)

**Dimensions:****Weight:**

4.46 lbs (2 kg)

**Shipping weight:**

8.6 lbs (3.9 kg)

**Maximum Load Capacity:**

25 lbs (11.4 kg)

**Shipping Carton dimensions:****L** = 22.375 in (568 mm)**W** = 21.0625 in (535 mm)**H** = 4.25 in (108 mm)**ARCHITECTS SPECIFICATIONS**

The In-wall Box Accessory shall be a Peerless model \_\_\_\_\_ and shall be located where indicated on the plans. It shall be constructed of heavy gauge cold rolled steel and feature scratch resistant gloss black fused epoxy finish. Assembly and installation shall be done according to instructions provided by the manufacturer.

**Peerless Industries, Inc.**3215 W. North Ave. Melrose Park, IL 60160  
708-865-8870 800-865-2112 Fax 708-865-2941**[www.peerlessmounts.com](http://www.peerlessmounts.com)****ISSUED: 08-22-08 SHEET NO: 120-9528-1**

**TECHNICAL DATA SHEET**

**MODEL: IBA1**

ALL DIMENSIONS: inch [mm]

