

TECHNICAL DATA SHEET -

MODELS: IM740P, IM740P-S

peerless®

In-wall Mount for up to 40" Flat Panel Screens



Make the most of your flat panel experience by installing it truly flat against the wall with Peerless' IM740 In-wall Articulating Arm. Installation is quick and easy thanks to the mount's self-locating tabs that center the in-wall box snugly between standard 16" wood stud centers. View the flat panel screen in its no-profile home position, or extend the arm over 16" to watch it virtually anywhere else within the room. This mount holds screens so flat against the wall, it may even allow installations to meet ADA requirements.

Features:

- VESA 75/100/200x100/200x200 compatible
- Three height adjustment points in box set screen in desired vertical position
- Installs between 16" centers
- stud-locating tabs adjust 1/4" left or right to accommodate stud spacing
- Includes SA740P mount for up to 40" screens
- Removable gang box and cable management access plates make installation easy

Dimensions:**Weight:**

18.3 lb (8.3 kg)

Shipping weight:

22.6 lb (10.25 kg)

Maximum Load Capacity:

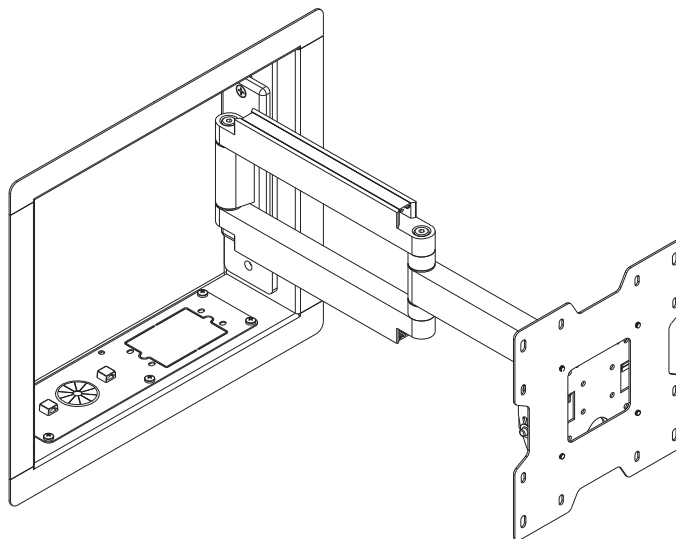
80 lb (36.3 kg)

Shipping Carton dimensions:

L = 22.375 in (568 mm)

W = 21.0625 in (535 mm)

H = 4.25 in (108 mm)



ARCHITECTS SPECIFICATIONS

The In-wall mount shall be Peerless models _____ and shall be located where indicated on the plans. It shall feature adjustable 15° of forward tilt and 5° backward tilt. It shall be constructed of heavy gauge cold rolled steel and finished with scratch resistant Black or Silver Fused Epoxy. Assembly and installation shall be done according to instructions provided by the manufacturer.

Peerless Industries, Inc.

3215 W. North Ave. Melrose Park, IL 60160
708-865-8870 800-865-2112 Fax 708-865-2941

www.peerlessmounts.com

ISSUED: 01-16-08 SHEET NO: 095-9709-1

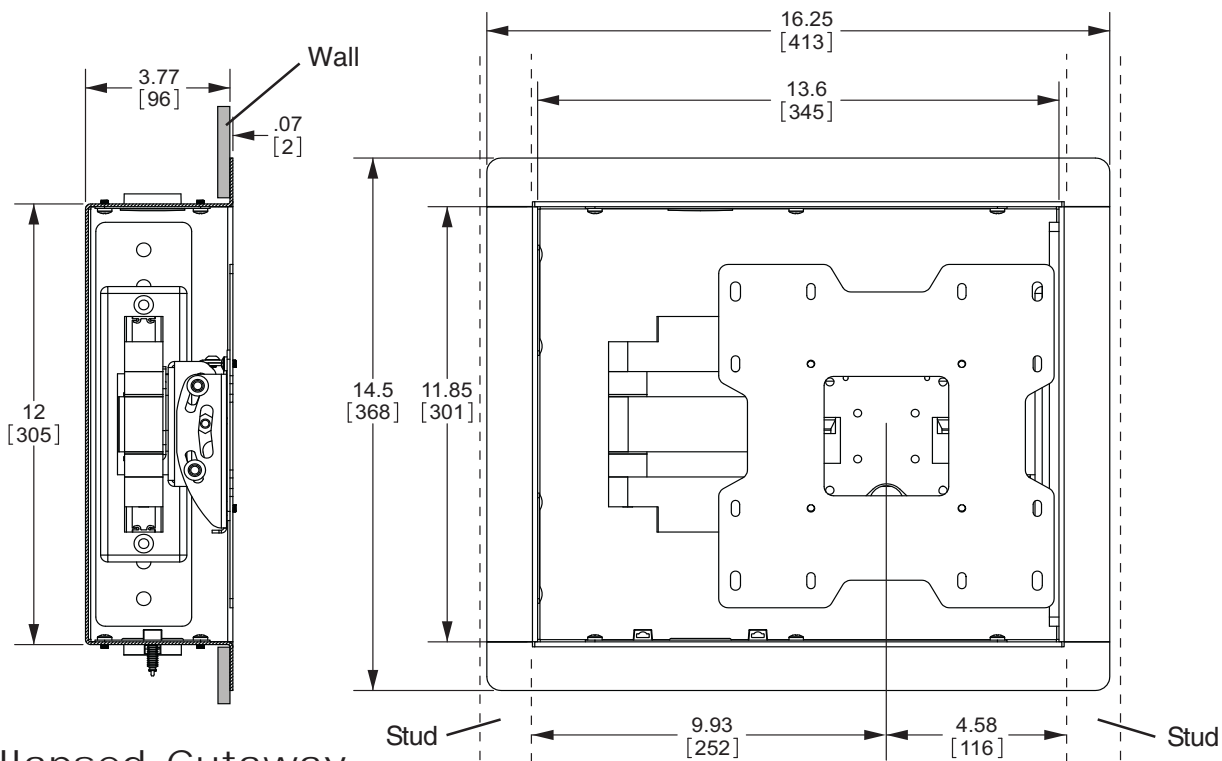
©2007, Peerless Industries, Inc. All rights reserved.

All other brand and product names are trademarks or registered trademarks of their respective owners

TECHNICAL DATA SHEET -

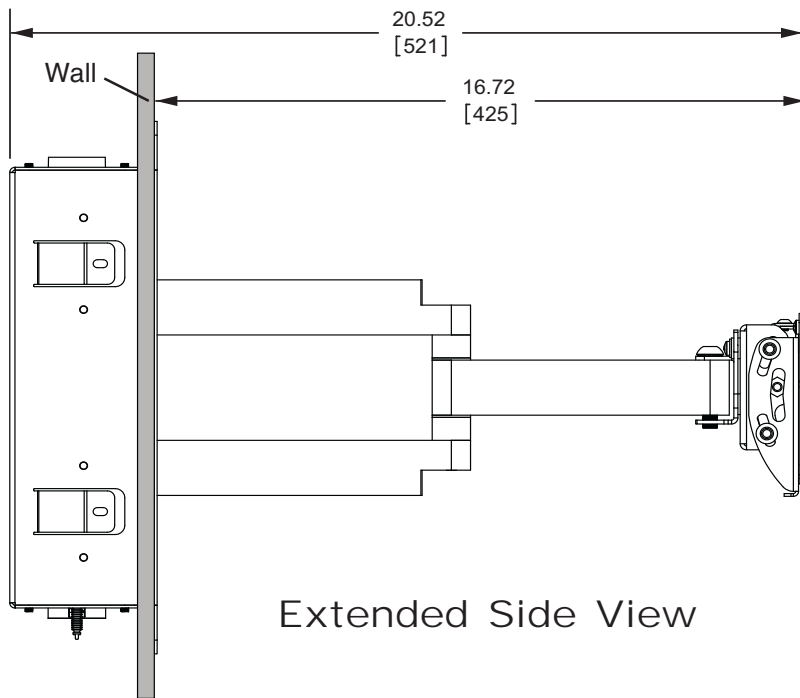
MODELS: IM740P, IM740P-S

All dimensions = inch [mm]



Collapsed Cutaway Side View

Collapsed Front View

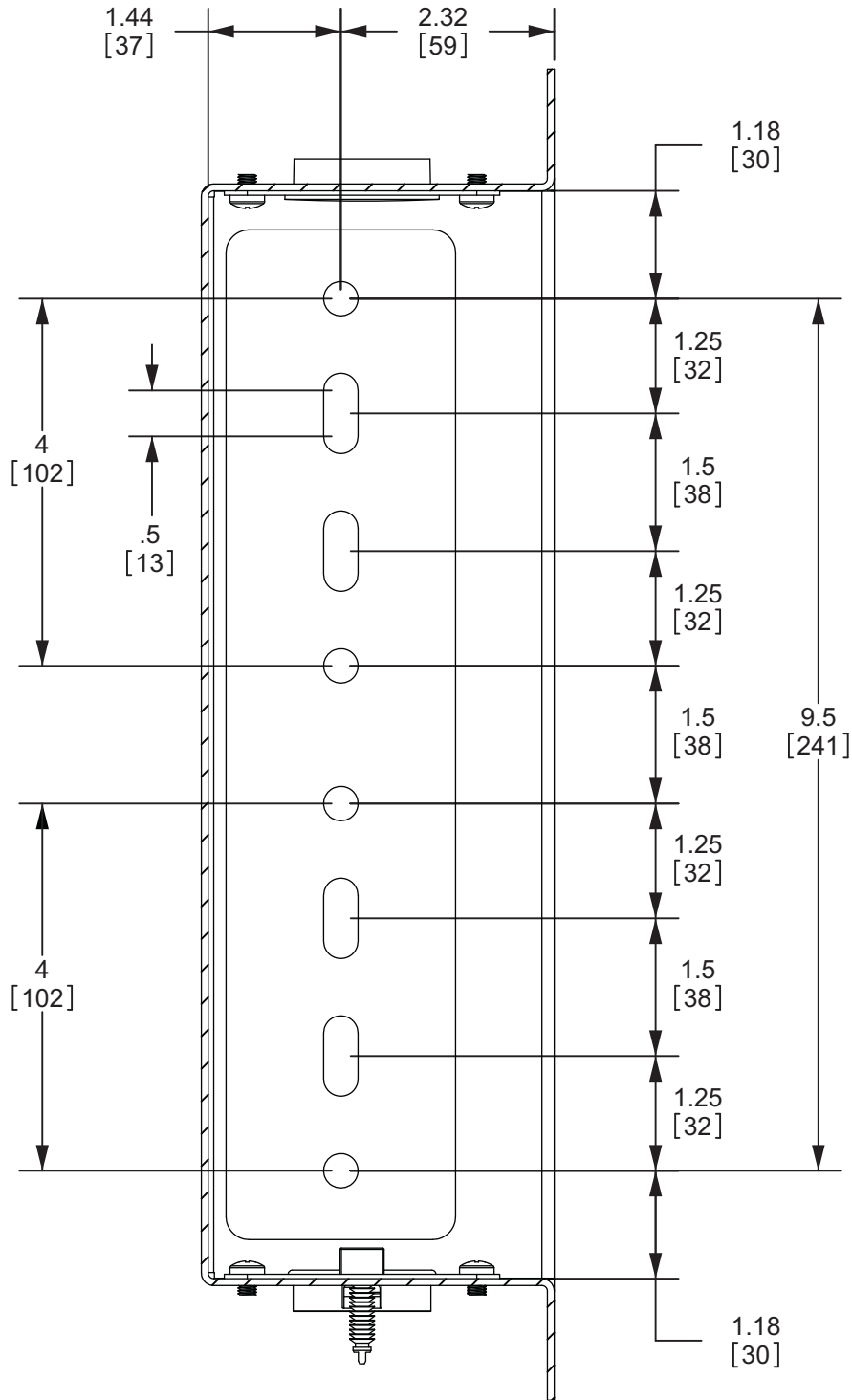


Extended Side View

TECHNICAL DATA SHEET -

MODELS: IM740P, IM740P-S

All dimensions = inch [mm]



Mounting Plate Detail
Cutaway Side View

TECHNICAL DATA SHEET -

MODELS: IM740P, IM740P-S

